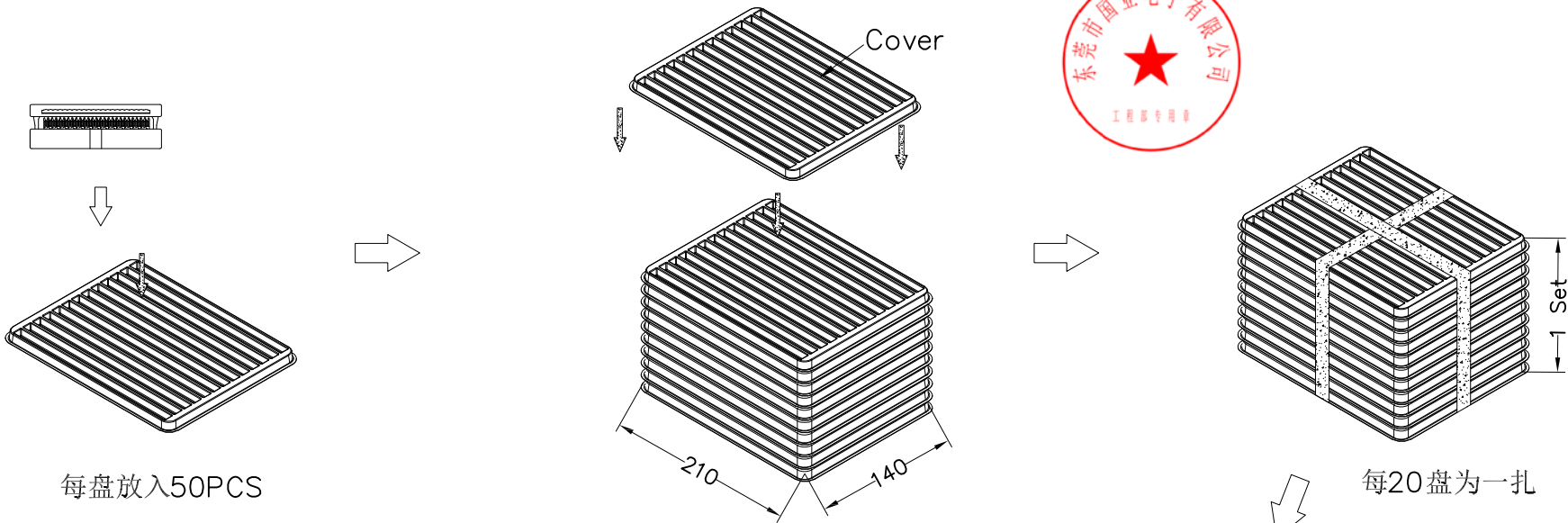


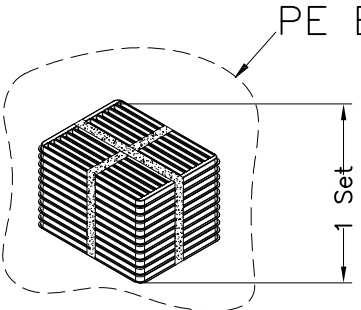
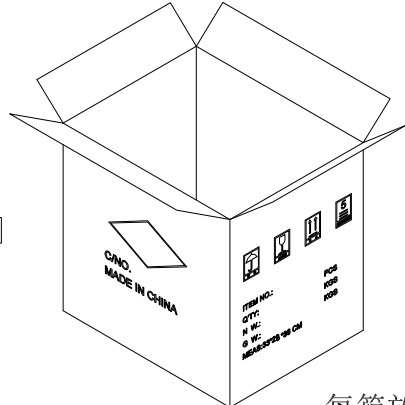
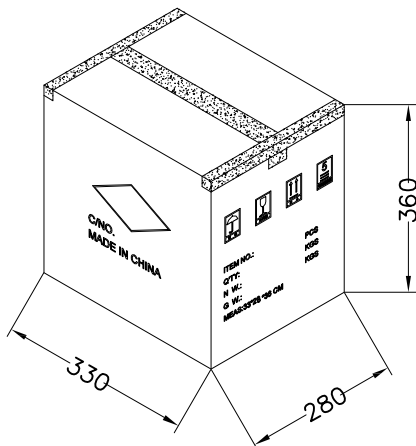
RoHS 包装图



每盘放入50PCS

每20盘为一扎

每箱放入140盘



- 说明:
- 1.每捆用PE膜缠绕
  - 2.将包扎好的吸塑放入PE袋中,并放2包干燥剂
  - 3.产品不可少数,多数,方各横竖需一致。
  - 4.包装均需有数量标签,尾包装需用不影响品质之物品填充并注明尾数。

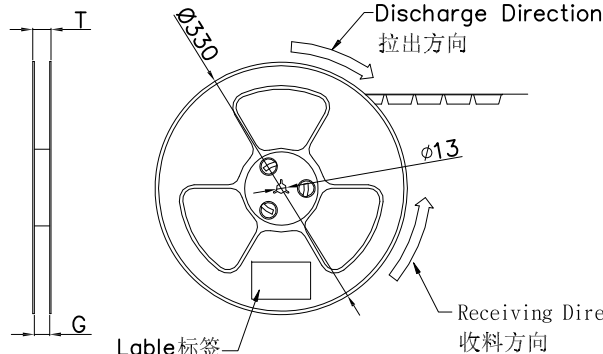
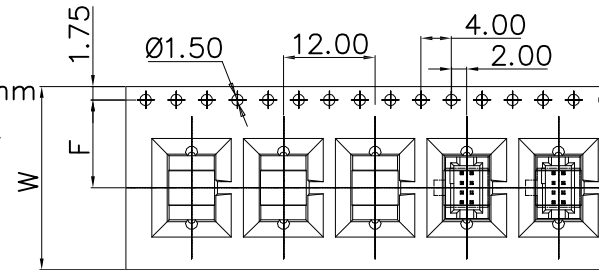
| Ploes | PCS/<br>TRAY | Pcs<br>/Box | Carton<br>/PCS |
|-------|--------------|-------------|----------------|
| 2*21  | 50           | 140         | 7000           |

| DATE | REV | ECN NO. | DESCRIPTION | MODIFY | APPROVAL   | GENERAL TOLERANCE                      | APPROVAL   |             |            |      | PART NO.:           |       |     |        |
|------|-----|---------|-------------|--------|------------|--|--|-------------|------------|------|---------------------|-------|-----|--------|
|      |     |         |             |        |            | .X ±0.30                               | 东莞市国亚电子有限公司<br>Dong Guan Guo Ya Connectors co., Ltd. | CHECK       | DRAWN      | DATE | 1276HI-2*21G15-4TBK |       |     |        |
|      |     |         |             |        | .XX ±0.20  | TITLE:                                 |  |             |            |      |                     |       |     |        |
|      |     |         |             |        | .XXX ±0.10 | 1.27mm Blister Tray Style Package Spec |  |             |            |      |                     |       |     |        |
|      |     |         |             |        | X' ±0.2°   | UNIT                                   |  |             |            |      | SCALE               | SHEET | REV | NUMBER |
|      |     |         |             |        | 视角         | Yangzhengguo                           | Yangzhengyi  | Lvtiansheng | 2016/08/26 | mm   | 1:1                 | 1/1   | A0  | A-106  |

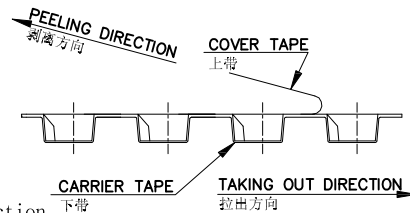
160mm Min 空23穴 780mm 包装数量 650PCS 200mm Min 空23穴

Axes

TOP TAPE 320mm  
上带320mm

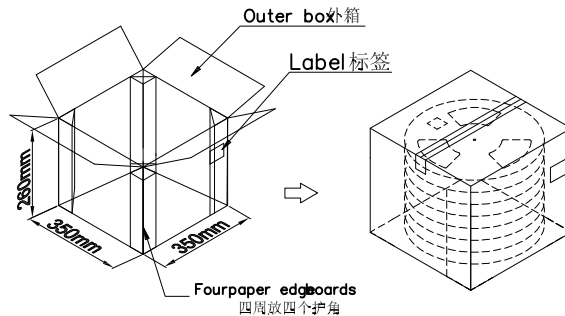
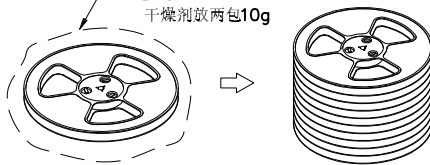


COVER TAPE PEEL STRENGTH: 20~120g  
剥离力量20~120g  
速度 PEEL SPEED: 300mm/minute



Lable 标签  
Single hole: None Hole Side  
单孔: 贴无链孔侧  
Double hole: Elliptical Hole Side  
双孔: 贴椭圆孔侧

Vacuum packing  
真空包装  
Drier  
干燥剂放两包10g



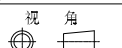
Note:

- Carrier Camber Is Within 1mm In 100mm ; 带长100mm 内容许弯曲度1mm
- 10 Sprocket Hole Pitch Cumulative Tolerance±0.2MM ; 圆孔十个孔距离累计允许公差为±0.2mm
- Carrier tape Material for PS ; 下带材质为PS材质; Color 颜色: Natural 透明色
- Bracer 保护带: Color 颜色: Natural 透明色; 厚度0.40mm 最小
- Thinkness=0.40±0.05 ; 材料厚度为 0.40±0.05mm

| ZD1276KVS-2*XXS<br>1276KVS-2*XXS-XXXX | Pin No.         | W  | S | F    | T     | G     | Cover Tape(W)<br>上带(宽) | Carrier Tape(Color)<br>下带(颜色) | REEL /PCS | CARTON /R | CARTON /PCS |
|---------------------------------------|-----------------|----|---|------|-------|-------|------------------------|-------------------------------|-----------|-----------|-------------|
|                                       | ZD1276KVS-2*04S | 24 | / | 11.5 | 28.40 | 24.40 | 21.3                   | 透明色                           | 650       | 8R        | 5200        |
|                                       | ZD1276KVS-2*05S |    |   |      |       |       |                        |                               |           |           |             |

GENERAL TOLERANCE

|      |       |
|------|-------|
| .X   | ±0.30 |
| .XX  | ±0.20 |
| .XXX | ±0.10 |
| X.   | ±0.2° |



东莞市国亚电子有限公司  
Dong Guan Guo Ya Connectors co., Ltd.

PART NO.: PPN: ZD1276KVS-2\*XXS  
CPN: 1276KVS-2\*XXS-XXXX

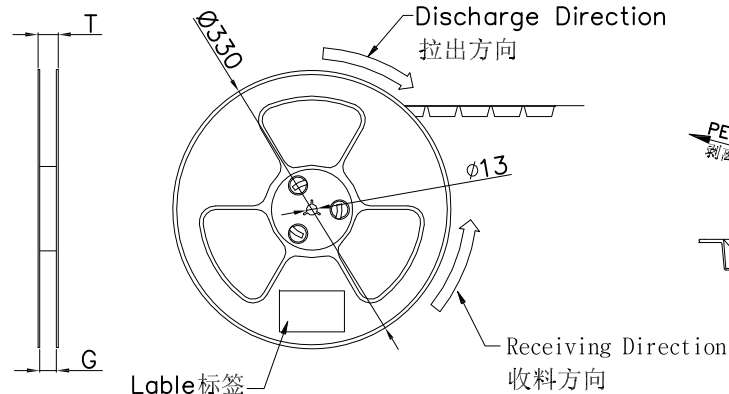
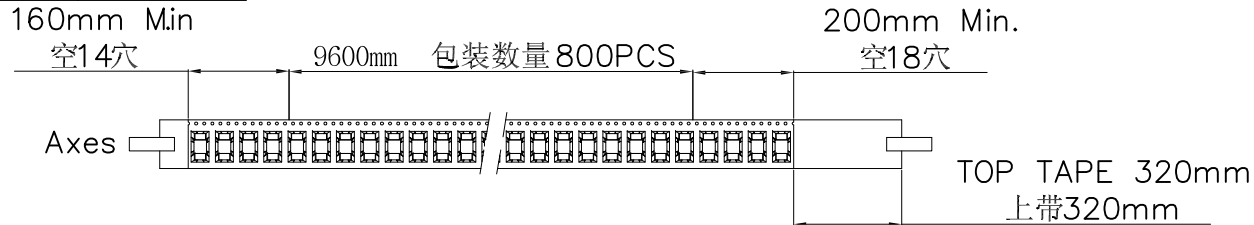
TITLE: 1.27mm SMT 180° Package

| APPROVAL     | CHECK       | DRAWN       | DATE       |
|--------------|-------------|-------------|------------|
| Yangzhengguo | Yangzhengyi | Lvtiansheng | 2016/08/26 |

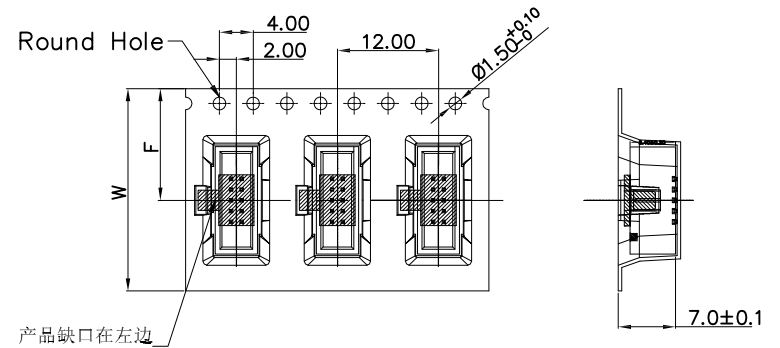
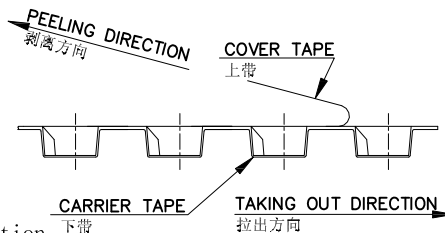
| UNIT | SCALE | SHEET | REV | NUMBER |
|------|-------|-------|-----|--------|
| mm   | 1:1   | 1/1   | A0  | A-106  |

| DATE | REV | ECN NO. | DESCRIPTION | MODIFY | APPROVAL |
|------|-----|---------|-------------|--------|----------|
|      |     |         |             |        |          |

RoHS 包装图

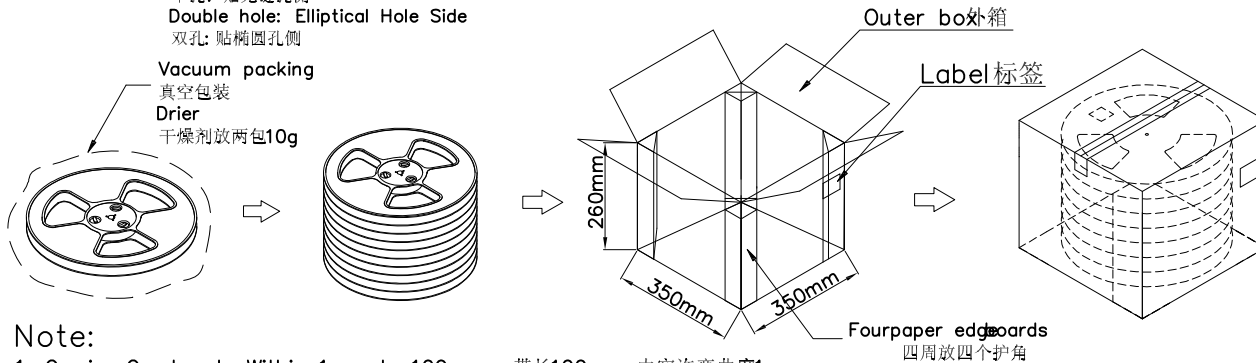


COVER TAPE PEEL STRENGTH: 20~120g  
剥离力量 20~120g  
速度 PEEL SPEED: 300mm/minute



Single hole: None Hole Side  
单孔: 贴无链孔侧  
Double hole: Elliptical Hole Side  
双孔: 贴椭圆孔侧

Vacuum packing  
真空包装  
Drier  
干燥剂放两包10g



Note:

- Carrier Camber Is Within 1mm In 100mm ; 带长100mm 内容许弯曲度1mm
- 10 Sprocket Hole Pitch Cumulative Tolerance±0.2MM ; 圆孔十个孔距离累计允许公差为±0.2mm
- Carrier tape Material for PS ; 下带材质为 PS材质; Color颜色: Natural 透明色
- Bracer 保护带: Color 颜色: Natural 透明色; 厚度0.40mm 最小
- Thickness=0.40±0.05 ; 材料厚度为 0.40±0.05mm

|                                  |                 |    |   |      |       |       |                        |                               |           |           |             |
|----------------------------------|-----------------|----|---|------|-------|-------|------------------------|-------------------------------|-----------|-----------|-------------|
| ZD1276KVS-2*05C<br>1276KVS-2*05C | Pin No.         | W  | S | F    | T     | G     | Cover Tape(W)<br>上带(宽) | Carrier Tape(Color)<br>下带(颜色) | REEL /PCS | CARTON /R | CARTON /PCS |
|                                  | ZD1276KVS-2*05C | 24 | / | 11.5 | 28.50 | 24.40 | 21.3                   | 透明色                           | 800       | 8R        | 6400        |

| GENERAL TOLERANCE |       |
|-------------------|-------|
| .X                | ±0.30 |
| .XX               | ±0.20 |
| .XXX              | ±0.10 |
| X.                | ±0.2  |



东莞市国亚电子有限公司  
Dong Guan Guo Ya Connectors co., Ltd.

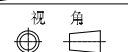
PART NO.: PPN: ZD1276KVS-2\*05C  
CPN: 1276KVS-2\*05C-XXXX

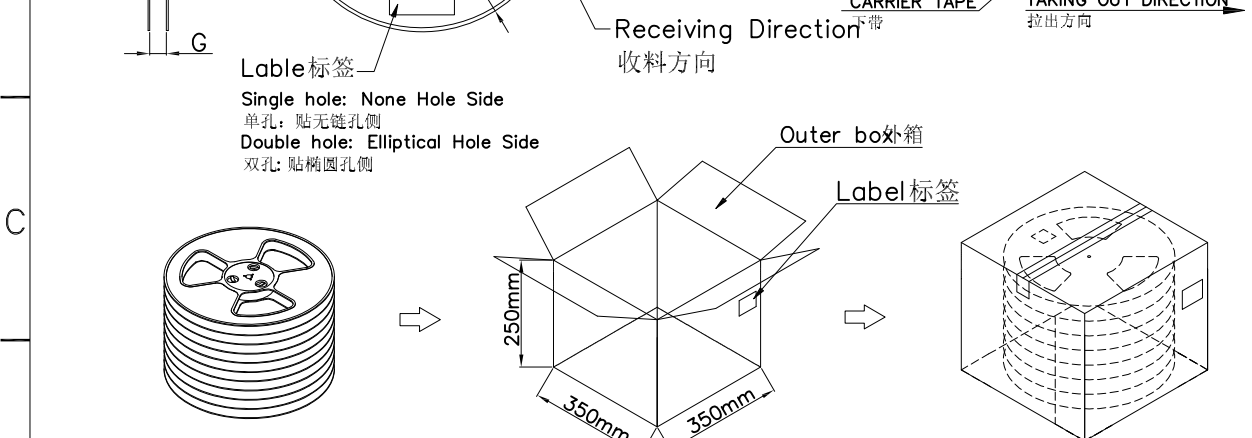
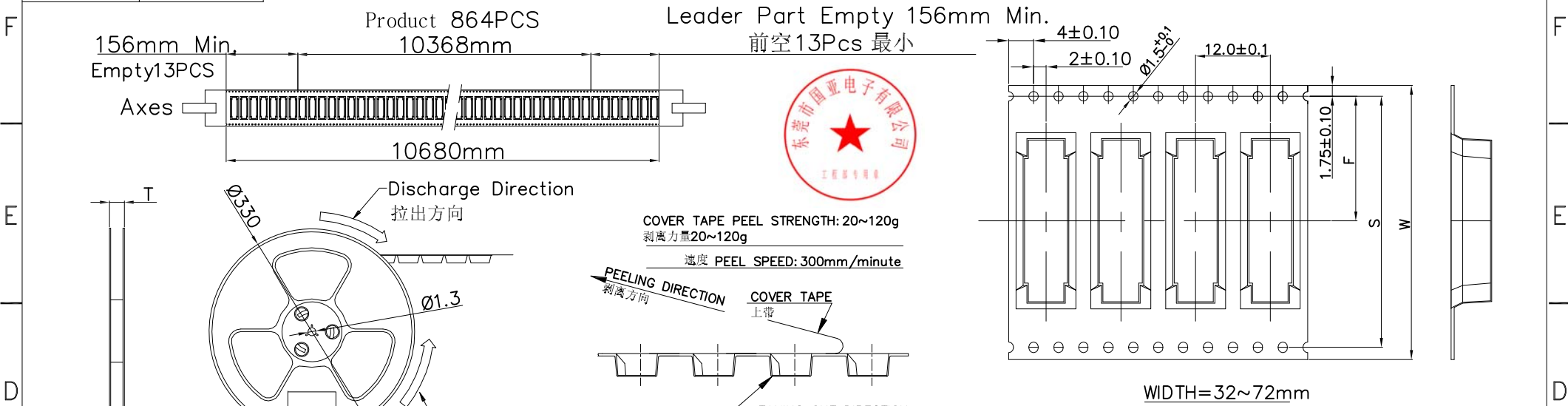
TITLE: 1.27mm SMT 180° Package

|              |             |             |            |
|--------------|-------------|-------------|------------|
| APPROVAL     | CHECK       | DRAWN       | DATE       |
| Yangzhengguo | Yangzhengyi | Lvtiansheng | 2016/08/26 |

|      |       |       |     |        |
|------|-------|-------|-----|--------|
| UNIT | SCALE | SHEET | REV | NUMBER |
| mm   | 1:1   | X/X   | A0  | A-106  |

|      |     |         |             |        |          |
|------|-----|---------|-------------|--------|----------|
| DATE | REV | ECN NO. | DESCRIPTION | MODIFY | APPROVAL |
| 1    |     |         |             |        |          |
| 2    |     |         |             |        |          |
| 3    |     |         |             |        |          |
| 4    |     |         |             |        |          |





| Pin No.         | W  | S     | F     | T     | G     | REEL /PCS | CARTON /R | CARTON /PCS |
|-----------------|----|-------|-------|-------|-------|-----------|-----------|-------------|
| ZD1276KVS-2*02C | 16 | /     | 7.55  | 20.50 | 16.40 | 864       | 11R       | 9504        |
| ZD1276KVS-2*03C |    |       |       |       |       |           |           |             |
| ZD1276KVS-2*04C |    |       |       |       |       |           |           |             |
| ZD1276KVS-2*05C | 24 | /     | 11.55 | 28.50 | 24.40 | 864       | 8R        | 6912        |
| ZD1276KVS-2*06C |    |       |       |       |       |           |           |             |
| ZD1276KVS-2*07C |    |       |       |       |       |           |           |             |
| ZD1276KVS-2*08C |    |       |       |       |       |           |           |             |
| ZD1276KVS-2*09C | 32 | 28.40 | 14.25 | 36.50 | 32.40 | 864       | 6R        | 5184        |
| ZD1276KVS-2*10C |    |       |       |       |       |           |           |             |
| ZD1276KVS-2*11C |    |       |       |       |       |           |           |             |
| ZD1276KVS-2*12C |    |       |       |       |       |           |           |             |
| ZD1276KVS-2*13C |    |       |       |       |       |           |           |             |
| ZD1276KVS-2*14C | 44 | 40.40 | 20.25 | 48.50 | 44.40 | 864       | 5R        | 4320        |
| ZD1276KVS-2*15C |    |       |       |       |       |           |           |             |
| ZD1276KVS-2*16C |    |       |       |       |       |           |           |             |
| ZD1276KVS-2*17C |    |       |       |       |       |           |           |             |
| ZD1276KVS-2*18C |    |       |       |       |       |           |           |             |
| ZD1276KVS-2*19C |    |       |       |       |       |           |           |             |
| ZD1276KVS-2*20C | 56 | 52.40 | 26.10 | 60.50 | 56.40 | 864       | 4R        | 3456        |
| ZD1276KVS-2*21C |    |       |       |       |       |           |           |             |
| ZD1276KVS-2*25C |    |       |       |       |       |           |           |             |
| ZD1276KVS-2*30C |    |       |       |       |       |           |           |             |
| ZD1276KVS-2*32C | 72 | 68.40 | 34.00 | 76.50 | 72.40 | 864       | 3R        | 2592        |
| ZD1276KVS-2*34C |    |       |       |       |       |           |           |             |

Note:

- Carrier Camber Is Within 1mm In 100mm ; 带长100mm 内容许弯曲度1mm
- 10 Sprocket Hole Pitch Cumulative Tolerance±0.2MM ; 圆孔十个孔距离累计允许公差为±0.2mm
- Carrier tape material for PS ; 下带材质为PS材质; Color 颜色: Natural 透明色
- Thickness=0.40±0.05 ; 材料厚度为0.40±0.05mm

|      |     |         |             |        |          | GENERAL TOLERANCE |             | PART NO.:               |            |
|------|-----|---------|-------------|--------|----------|-------------------|-------------|-------------------------|------------|
|      |     |         |             |        |          | .X                | ±0.30       | PPN: ZD1276KVS-2*XXC    |            |
|      |     |         |             |        |          | .XX               | ±0.20       | CPN: 1276KVS-2*XXC-XXXX |            |
|      |     |         |             |        |          | .XXX              | ±0.10       | TITLE:                  |            |
|      |     |         |             |        |          | X°                | ±0.2°       | 1.27mm SMT 180° Package |            |
| DATE | REV | ECN NO. | DESCRIPTION | MODIFY | APPROVAL | APPROVAL          | CHECK       | DRAWN                   | DATE       |
|      |     |         |             |        |          | Yangzhengguo      | Yangzhengyi | Lvtiansheng             | 2016/08/26 |
| 1    | 2   | 3       | 4           | 5      | 6        | 7                 | 8           | UNIT                    | SCALE      |
|      |     |         |             |        |          |                   |             | mm                      | 1:1        |
|      |     |         |             |        |          |                   |             | SHEET                   | 1/1        |
|      |     |         |             |        |          |                   |             | REV                     | A0         |
|      |     |         |             |        |          |                   |             | NUMBER                  | A-106      |

**GYA** 东莞市国亚电子有限公司  
Connectors Dong Guan Guo Ya Connectors co., Ltd.

APPROVAL: Yangzhengguo, CHECK: Yangzhengyi, DRAWN: Lvtiansheng, DATE: 2016/08/26