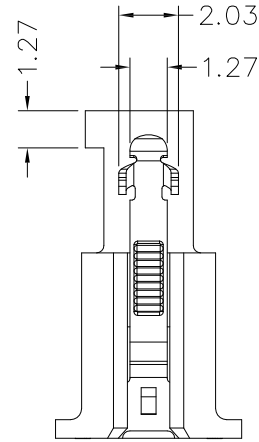
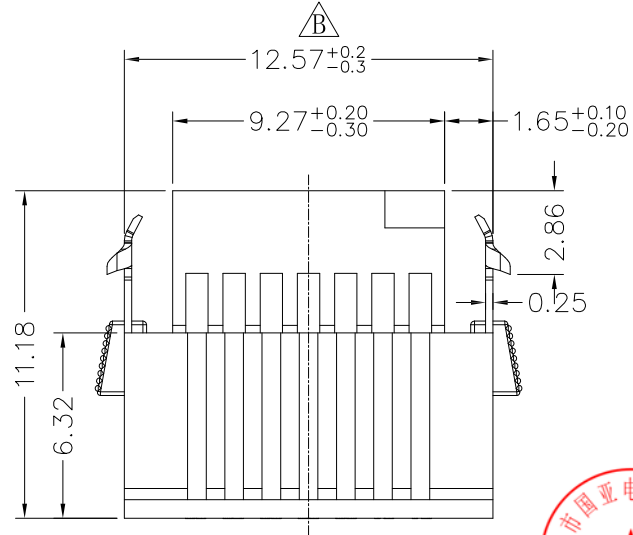
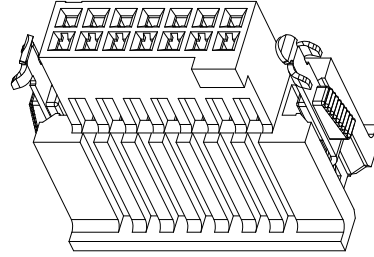
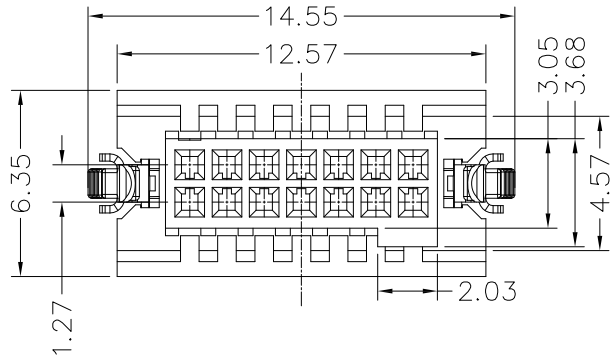


RoHS

RD-1



NOTES:

- 1.Pin/Welding TABS Retention Force: 3.43N(0.35kgf)Min.
- 2.Mating Force: 4.4lbs (2.0kgf) Max;  
 Un-mating Force(Without Latch): 0.33lbs(0.15kgf) Min;  
 Un-mating Force(With Latch): 3.3lbs(1.5kgf) Min;

■ Specifications :

- Voltage rating: 275V AC/DC
- Current rating: 3A AC/DC (One pin powered per row)
- Withstanding voltage: 1000V AC/minute
- Temperature range: -55°C~+105°C
- Insulation resistance: ≥1000MΩ
- Contact resistance: ≤30mΩ
- After environmental testing: ≤50mΩ
- Mates With GYA Wafer: 1274WR/1274WRS

1274 H M- 2x07- LP B G H 01F  
 ① ② ③ ④ ⑤ ⑥ ⑦ ⑧ ⑨

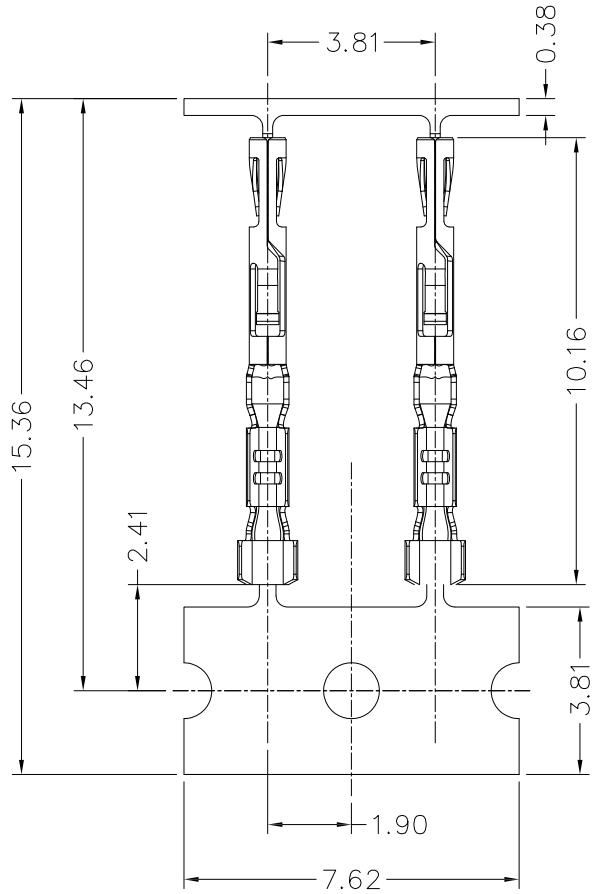
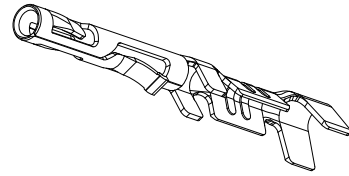
- ① Series No.
- ② Category: H-HSG
- ③ Shape: M-Male
- ④ Row No.-Pin No: 2x07-Double Row x 07 Pin
- ⑤ Plastic material: LP- LCP UL94V-0
- ⑥ Color: N-Natural; B-Black;
- ⑦ Packing: G-Tube
- ⑧ RoHS/HF Code: H-Halogen-Free
- ⑨ Sequence Number: 01F

					GENERAL TOLERANCE .X ±0.50 .XX ±0.20 .XXX ±0.15 X.° ±0.2°		<b>GYA</b> 东莞市国亚电子有限公司 Connectors Dong Guan Guo Ya Connectors co., Ltd.			PART NO. 1274HM-2x07-LPXGH01F										
					APPROVAL Yangzhengguo			CHECK Yangzhengyi		DRAWN Lviliansheng		DATE 2016/08/26								
					PROJECT 			TITLE 1.27mm Pitch HSG&Latch ASM			UNIT mm		SCALE 4:1		SHEET 1/1		REV A0		NUMBER A-337	
DATE	REV	ECN NO.	DESCRIPTION	MODIFY	APPROVAL															

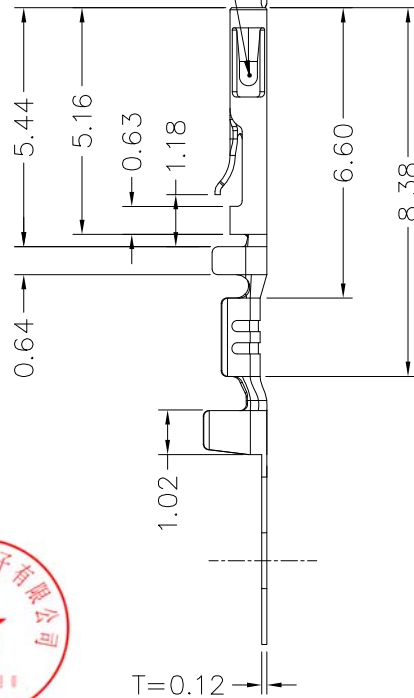
1 2 3 4 5 6 7 8

RoHS

RD-1



Gold-plated test point  
Out side 1U"min



NOTES:

1. MATERIAL: BeCu THICKNESS: 0.12±0.01mm
2. PLATING SPECIFICATION: Full Gold Flash
3. WIRE SIZE: 28-30 AWG
4. PACKING : MINI REEL (15k CONTACTS)

■ Specifications :

- Voltage rating: 275V AC / DC
- Current rating: 3A AC / DC
- Withstanding voltage: 1000V AC/minute
- Temperature range: -55°C~+105°C
- Insulation resistance: ≥1000MΩ
- Contact resistance: ≤30mΩ
- After environmental testing: ≤50mΩ

1274 T - E10S - 01F  
① ② ③④⑤ ⑥

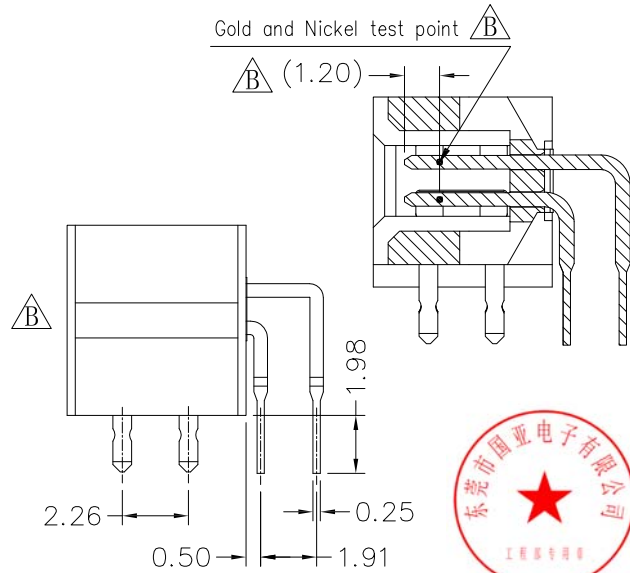
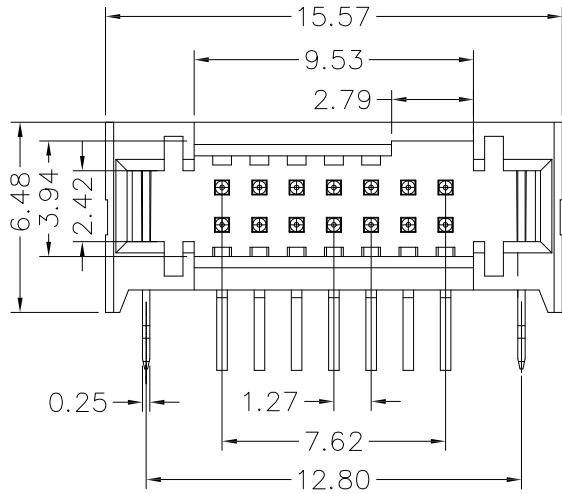
- ① Series Number
- ② Category: T-terminal
- ③ Material: E-Be Copper
- ④ Plating style: 10-Full Gold Flash
- ⑤ Plating method: S-Stamping before plating
- ⑥ Sequence Number: 01F

					GENERAL TOLERANCE .X ±0.30 .XX ±0.20 .XXX ±0.10 X.° ±0.5°		<b>GYA</b> 东莞市国亚电子有限公司 Connectors Dong Guan Guo Ya Connectors co., Ltd.			PART NO. 1274T-E10S-01F										
					APPROVAL Yangzhengguo			CHECK Yangzhengyi		DRAWN Lvliansheng		DATE 2016/08/26								
					PROJECT 			TITLE 1.27mm Pitch Crimp Terminal			UNIT mm		SCALE 6:1		SHEET 1/1		REV A0		NUMBER A-000	
DATE	REV	ECN NO.	DESCRIPTION	MODIFY	APPROVAL															

1 2 3 4 5 6 7 8

RoHS

RD-1

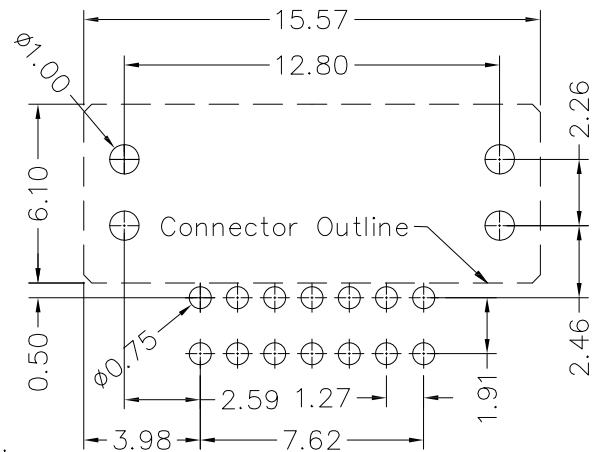
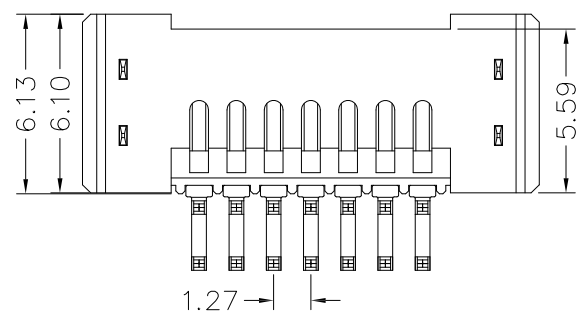


Specifications:

- Voltage rating: 275V AC/DC
- Current rating: 3A AC/DC (One pin powered per row)
- Withstanding voltage: 1000V AC/minute
- Temperature range: -55°C~+105°C
- Insulation resistance: ≥1000MΩ
- Contact resistance: ≤30mΩ
- After environmental testing: ≤50mΩ
- Material(Pin): Phosphor Copper
- Mates With GYA Housing: 1274HM

1274 W R - 2x07 - LP B P 32 G H 001F  
 ① ② ③ ④ ⑤ ⑥ ⑦ ⑧ ⑨ ⑩ ⑪

- ① Series No.
- ② Category: W-wafer
- ③ Connector Type: R-Right Angle 90°
- ④ Row No.-Pin No: 2x07-Double Row x 07 Pin
- ⑤ Plastic material: LP- LCP UL94V-0
- ⑥ Color: N-Natural; B-Black;
- ⑦ Metal material: P-Phosphor Copper
- ⑧ Plating Code: 32-Tin area 100u"min,  
Gold area 15 u" over the Nickel 50 u"min
- ⑨ Packing: G-Tube
- ⑩ RoHS/HF Code: H-Halogen-Free
- ⑪ Sequence Number: 001F



Recommended P.C.B Layout  
 General Tolerance ±0.05

NOTES:  
 1.Pin/Welding TABS Retention Force: 3.43N(0.35kgf)Min.  
 2.Mating Force: 4.4lbs (2.0kgf) Max;  
 Un-mating Force(Without Latch): 0.33lbs(0.15kgf) Min;  
 Un-mating Force(With Latch): 3.3lbs(1.5kgf) Min;

					GENERAL TOLERANCE .X ±0.50 .XX ±0.20 .XXX ±0.15 X.° ±0.2°		<b>GYA</b> 东莞市国亚电子有限公司 Dong Guan Guo Ya Connectors co., Ltd.			PART NO. 1274WR-2x07-LPXPXXGH001F	
					APPROVAL Yangzhengguo			CHECK Yangzhengyi		DRAWN LvTiansheng	
					DATE 2016/08/26			TITLE 1.27mm Pitch DIP Wafer			
DATE	REV	ECN NO.	DESCRIPTION	MODIFY	APPROVAL	PROJECT	UNIT	SCALE	SHEET	REV	NUMBER
1							mm	4:1	1/1	A0	A-000

RoHS

RD-1

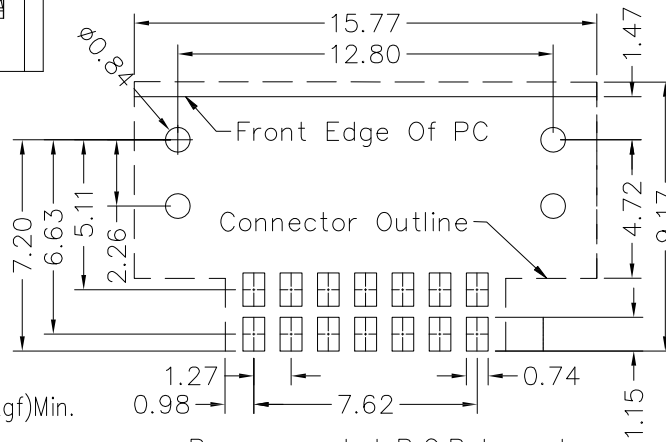
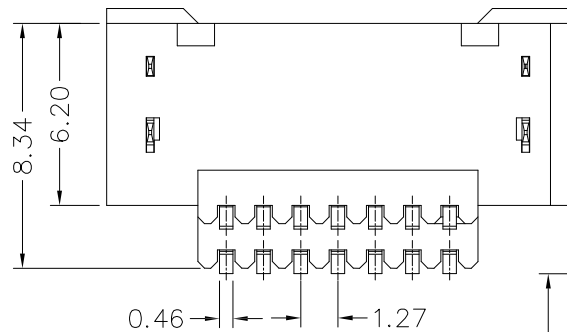
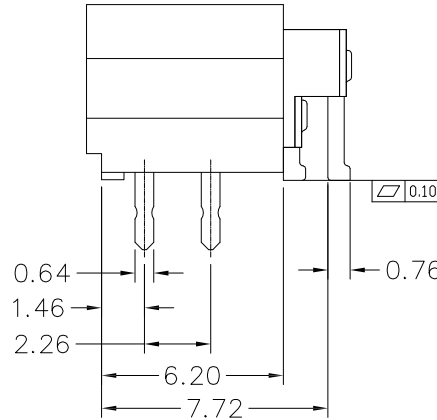
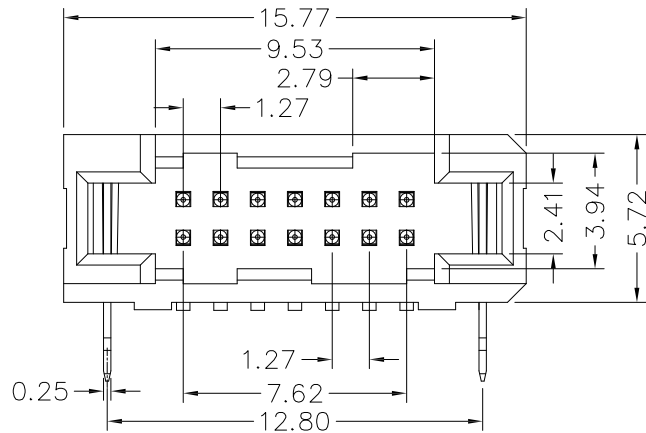


Specifications:

- Voltage rating: 275V AC/DC
- Current rating: 3A AC/DC (One pin powered per row)
- Withstanding voltage: 1000V AC/minute
- Temperature range: -55°C~+105°C
- Insulation resistance: ≥1000MΩ
- Contact resistance: ≤30mΩ
- After environmental testing: ≤50mΩ
- Material(Pin): Phosphor Copper
- Mates With GYA Housing: 1274HM

1274 WRS - 2x07 - LP B P 35 R H 001F  
 ① ②③④ ⑤ ⑥ ⑦⑧⑨⑩⑪⑫

- ① Series No.
- ② Category: W-wafer
- ③ Connector Type: R-Right Angle 90°
- ④ Mounting Type: S-SMT
- ⑤ Row No.-Pin No: 2x07-Double Row x 07 Pin
- ⑥ Plastic material: LP- LCP UL94V-0
- ⑦ Color: N-Natural; B-Black;
- ⑧ Metal material: P-Phosphor Copper
- ⑨ Plating Code: 35-Tin area 100u"min ,  
Gold area 10 u" over the Nickel 50 u"min
- ⑩ Packing: R-Reel
- ⑪ RoHS/HF Code: H-Halogen-Free
- ⑫ Sequence Number: 001F



NOTES:

- 1.Pin/Welding TABS Retention Force: 3.43N(0.35kgf)Min.
- 2.Mating Force: 4.4lbs (2.0kgf) Max;  
 Un-mating Force(Without Latch): 0.33lbs(0.15kgf) Min;  
 Un-mating Force(With Latch): 3.3lbs(1.5kgf) Min;

Recommended P.C.B Layout  
 General Tolerance±0.05

					GENERAL TOLERANCE		东莞市国亚电子有限公司 Dong Guan Guo Ya Connectors co., Ltd.			PART NO. 1274WRS-2x07-LPXPXRH001F					
					.X ±0.50					TITLE 1.27mm Pitch SMT Wafer					
					.XX ±0.20		APPROVAL	CHECK	DRAWN	DATE	UNIT	SCALE	SHEET	REV	NUMBER
					.XXX ±0.15		Yangzhengguo	Yangzhengyi	Lvtiansheng	2016/08/26	mm	4:1	1/1	A0	A-082
					X.° ±0.2°										
					PROJECT										
DATE	REV	ECN NO.	DESCRIPTION	MODIFY	APPROVAL										

1 2 3 4 5 6 7 8