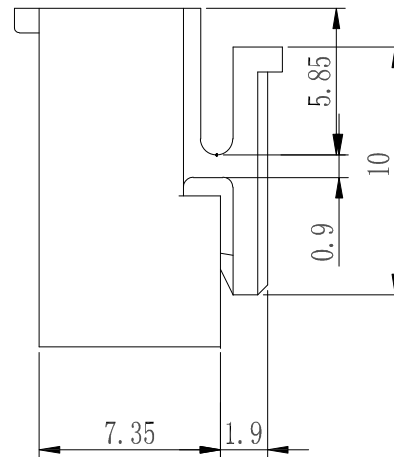
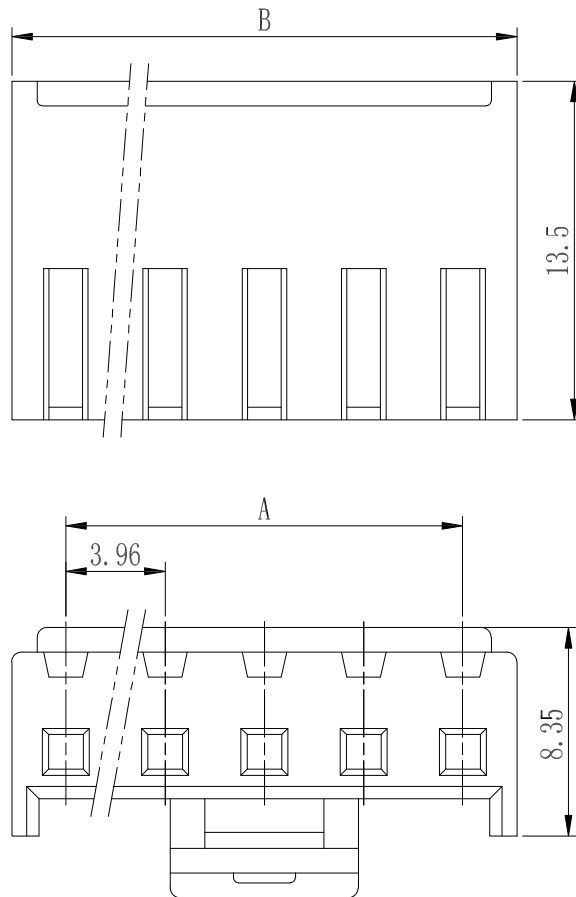


RoHS

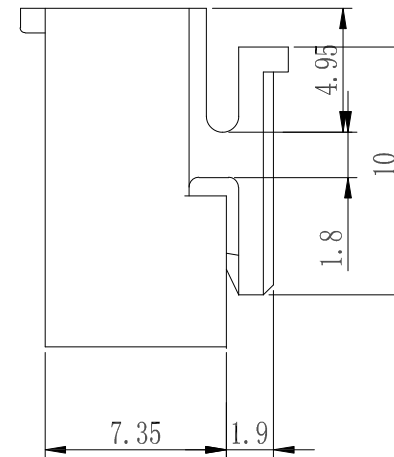
主要技术参数  
Main Specifications

线数 (poles): 2 to 16P  
 额定电流 (Current rating): 7A AC, DC  
 额定电压 (Voltage rating): 250V AC, DC  
 温度范围 (Temperature range): -25°C to +85°C  
 接触电阻 (Contact resistance): ≤10mΩ  
 绝缘电阻 (Insulation resistance): ≥1000MΩ  
 耐电压 (Withstand voltage): 1500V AC/minute

Poles	Part No.	Dimensions mm	
		A	B
2	A3961H-02	3.96	8.32
3	A3961H-03	7.92	12.28
4	A3961H-04	11.88	16.24
5	A3961H-05	15.84	20.20
6	A3961H-06	19.80	24.16
7	A3961H-07	23.76	28.12
8	A3961H-08	27.72	32.08
9	A3961H-09	31.68	36.04
10	A3961H-10	35.64	40.00
11	A3961H-11	39.60	43.96
12	A3961H-12	43.56	47.92
13	A3961H-13	47.52	51.88
14	A3961H-14	51.48	55.84
15	A3961H-15	55.44	59.80
16	A3961H-16	59.40	63.76



A3961-H



A3961-HB



1		Housing 胶壳	PA66 (UL94V-0/V-2)	1	White (白色)
序号	图号	名称	材料	数量	附注

DATE	REV	ECN NO	DESCRIPTION	MODIFY	APPROVAL	PROJECT	APPROVAL	CHECK	DRAWN	DATE	UNIT	SCALE	SHEET	REV	NUMBER
1						Yangzhengguo	Yangjinyi	Yangjinyi	Lvtiansheng	2016/08/26	mm	1:1	1/1	A0	A-022

GENERAL TOLERANCE
.X ±0.30
.XX ±0.20
.XXX ±0.10
X.° ±2°



东莞市国亚电子有限公司  
Dong Guan Guo Ya Connectors co., Ltd.

PART NO.  
A3961H-XXX

TITLE  
3.96mm Crimp Style Connector



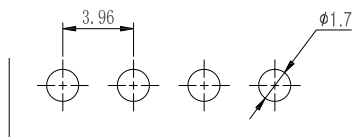
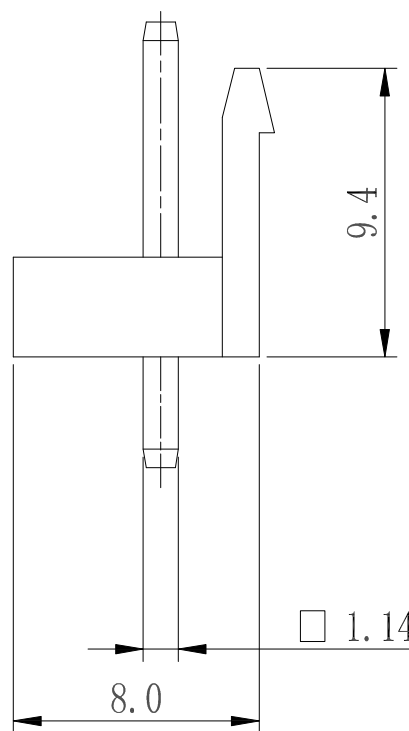
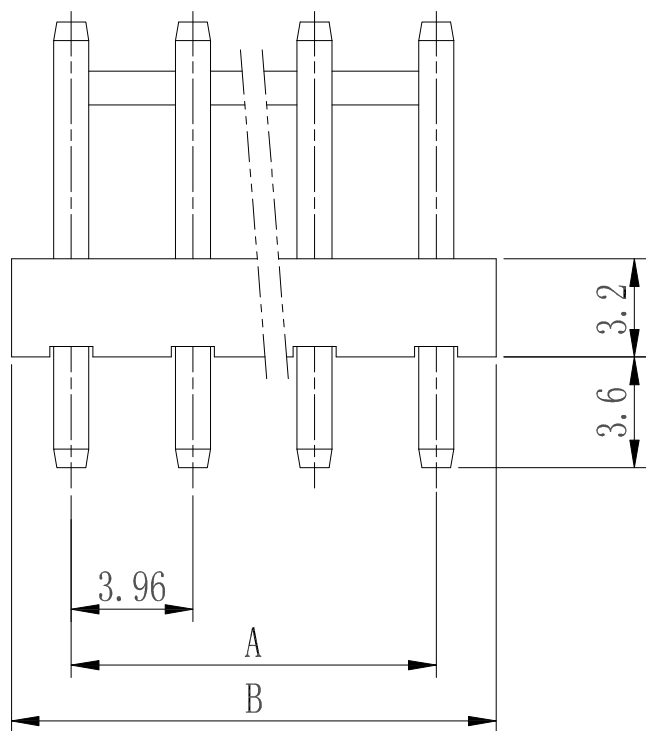
RoHS

主要技术参数  
Main Specifications

线数 (poles): 2 to 16P  
 额定电流 (Current rating): 7A AC, DC  
 额定电压 (Voltage rating): 250V AC, DC  
 温度范围 (Temperature range): -25°C to +85°C  
 接触电阻 (Contact resistance): ≤10mΩ  
 绝缘电阻 (Insulation resistance): ≥1000MΩ  
 耐电压 (Withstand voltage): 1500V AC/minute  
 适用线规 (Applicable wire): AWG #22 to #18  
 适用基板厚度 (Applicable PC board thickness): 1.6mm

Poles	Part No.	Dimensions mm	
		A	B
2	A3961WV-02	3.96	7.92
3	A3961WV-03	7.92	11.88
4	A3961WV-04	11.88	15.84
5	A3961WV-05	15.84	19.80
6	A3961WV-06	19.80	23.76
7	A3961WV-07	23.76	27.72
8	A3961WV-08	27.72	31.68
9	A3961WV-09	31.68	35.64
10	A3961WV-10	35.64	39.60
11	A3961WV-11	39.60	43.56
12	A3961WV-12	43.56	47.52
13	A3961WV-13	47.52	51.48
14	A3961WV-14	51.48	55.44
15	A3961WV-15	55.44	59.40
16	A3961WV-16	59.40	63.36

F  
E  
D  
C  
B  
A



P. C. B LAYOUT



2	Wafer 针	Brass Tin 黄铜镀锡	N	
1	Housing 基座	PA66 (UL94V-0/V-2)	1	White (白色)
序号	图号	名称	材料	数量 附注

GENERAL TOLERANCE	
.X	±0.30
.XX	±0.20
.XXX	±0.10
X.°	±2°
PROJECT	



东莞市国亚电子有限公司  
Dong Guan Guo Ya Connectors co., Ltd.

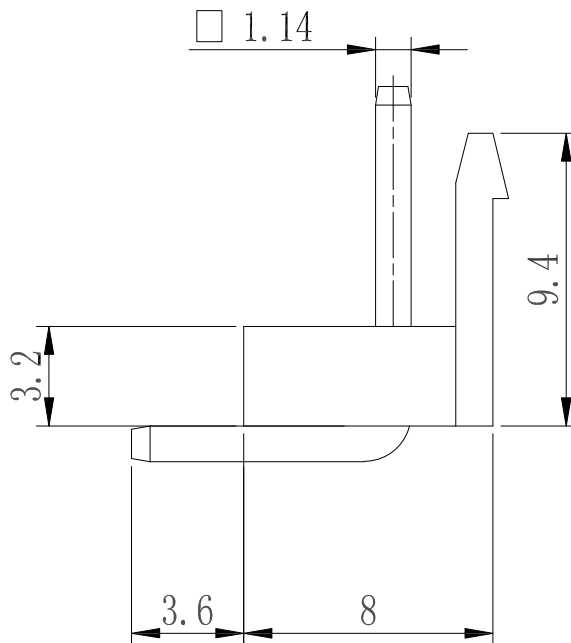
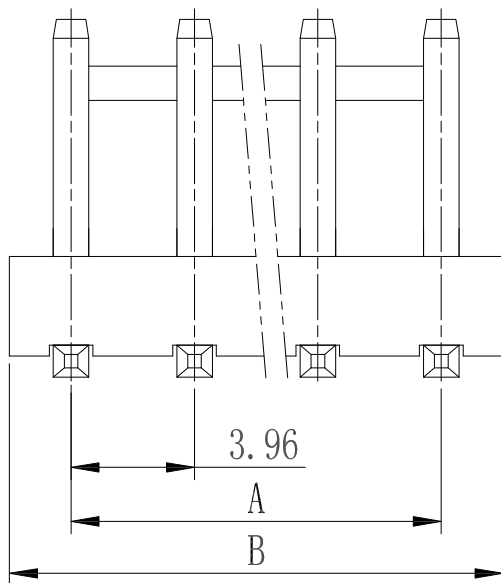
APPROVAL	CHECK	DRAWN	DATE
Yangzhengguo	Yangjinyi	Lvtiansheng	2016/08/26

PART NO. A3961WV-XXX				
TITLE 3.96mm Crimp Style Connector				
UNIT	SCALE	SHEET	REV	NUMBER
mm	1:1	1/1	A0	A-022

DATE	REV	ECN NO	DESCRIPTION	MODIFY	APPROVAL
1		2		3	4

F  
E  
D  
C  
B  
A

RoHS

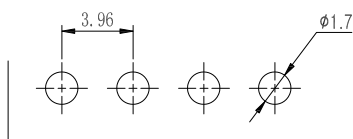


主要技术参数

Main Specifications

线数 (poles): 2 to 16P  
 额定电流 (Current rating): 7A AC, DC  
 额定电压 (Voltage rating): 250V AC, DC  
 温度范围 (Temperature range): -25°C to +85°C  
 接触电阻 (Contact resistance): ≤10mΩ  
 绝缘电阻 (Insulation resistance): ≥1000MΩ  
 耐电压 (Withstand voltage): 1500V AC/minute  
 适用线规 (Applicable wire): AWG #22 to #18  
 适用基板厚度 (Applicable PC board thickness): 1.6mm

Poles	Part No.	Dimensions mm	
		A	B
2	A3961WRB-02	3.96	7.92
3	A3961WRB-03	7.92	11.88
4	A3961WRB-04	11.88	15.84
5	A3961WRB-05	15.84	19.80
6	A3961WRB-06	19.80	23.76
7	A3961WRB-07	23.76	27.72
8	A3961WRB-08	27.72	31.68
9	A3961WRB-09	31.68	35.64
10	A3961WRB-10	35.64	39.60
11	A3961WRB-11	39.60	43.56
12	A3961WRB-12	43.56	47.52
13	A3961WRB-13	47.52	51.48
14	A3961WRB-14	51.48	55.44
15	A3961WRB-15	55.44	59.40
16	A3961WRB-16	59.40	63.36



P. C. B LAYOUT



2		Wafer 针	Brass Tin 黄铜镀锡	N	
1		Housing 基座	PA66 (UL94V-0/V-2)	1	White (白色)
序号	图号	名称	材料	数量	附注

GENERAL TOLERANCE

.X ±0.30

.XX ±0.20

.XXX ±0.10

X.° ±2°

PROJECT



东莞市国亚电子有限公司  
Dong Guan Guo Ya Connectors co., Ltd.

PART NO.

A3961WRB-XXX

TITLE

3.96mm Crimp Style Connector

UNIT SCALE SHEET REV NUMBER

mm 1:1 1/1 A0 A-022

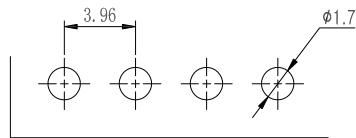
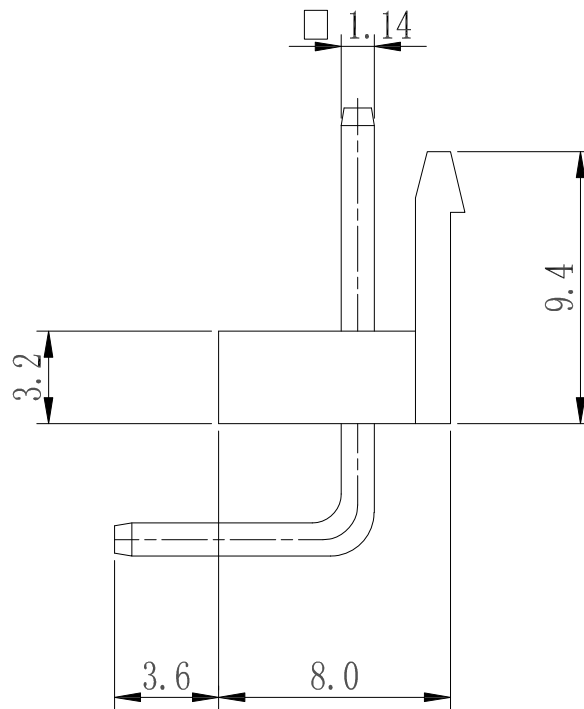
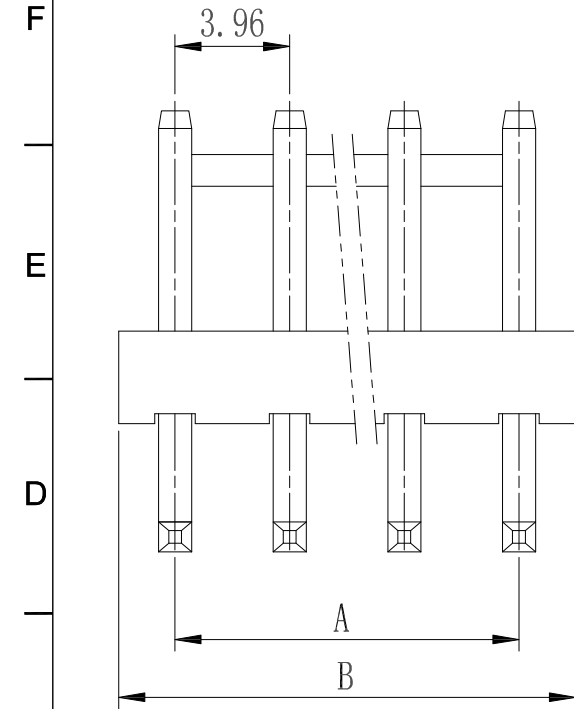
APPROVAL	CHECK	DRAWN	DATE
Yangzhengguo	Yangjinyi	Lvtiansheng	2016/08/26

DATE	REV	ECN NO	DESCRIPTION	MODIFY	APPROVAL
1	2	3	4	5	6

RoHS

主要技术参数  
Main Specifications

线数 (poles): 2 to 16P  
 额定电流 (Current rating): 7A AC, DC  
 额定电压 (Voltage rating): 250V AC, DC  
 温度范围 (Temperature range): -25°C to +85°C  
 接触电阻 (Contact resistance): ≤10mΩ  
 绝缘电阻 (Insulation resistance): ≥1000MΩ  
 耐电压 (Withstand voltage): 1500V AC/minute  
 适用线规 (Applicable wire): AWG #22 to #18  
 适用基板厚度 (Applicable PC board thickness): 1.6mm



P. C. B LAYOUT



Poles	Part No.	Dimensions mm	
		A	B
2	A3961WR-02	3.96	7.92
3	A3961WR-03	7.92	11.88
4	A3961WR-04	11.88	15.84
5	A3961WR-05	15.84	19.80
6	A3961WR-06	19.80	23.76
7	A3961WR-07	23.76	27.72
8	A3961WR-08	27.72	31.68
9	A3961WR-09	31.68	35.64
10	A3961WR-10	35.64	39.60
11	A3961WR-11	39.60	43.56
12	A3961WR-12	43.56	47.52
13	A3961WR-13	47.52	51.48
14	A3961WR-14	51.48	55.44
15	A3961WR-15	55.44	59.40
16	A3961WR-16	59.40	63.36

2		Wafer 针 黄铜镀锡	Brass Tin 黄铜镀锡	N	
1		Housing 基座	PA66 (UL94V-0/V-2)	1	White (白色)
序号	图号	名称	材料	数量	附注

GENERAL TOLERANCE

.X ±0.30

.XX ±0.20

.XXX ±0.10

X.° ±2°

PROJECT

☉ ☒



东莞市国亚电子有限公司  
Dong Guan Guo Ya Connectors co., Ltd.

APPROVAL

Yangzhengguo

CHECK

Yangjinyi

DRAWN

Lvtiansheng

DATE

2016/08/26

PART NO.

A3961WR-XXX

TITLE

3.96mm Crimp Style Connector

UNIT	SCALE	SHEET	REV	NUMBER
mm	1:1	1/1	A0	A-022

DATE	REV	ECN NO	DESCRIPTION	MODIFY	APPROVAL

1 2 3 4 5 6 7 8