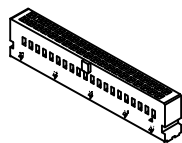
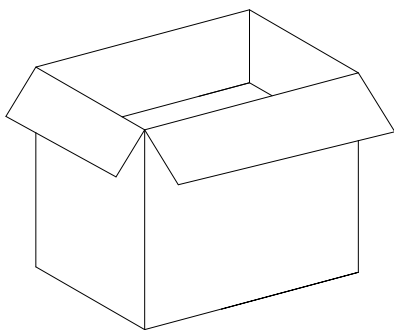
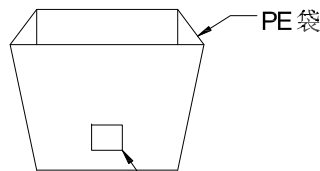


RoHS

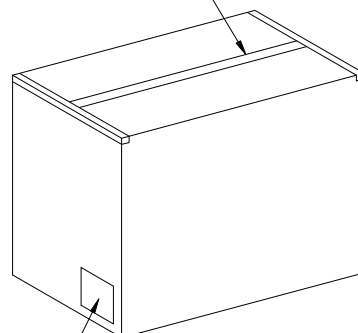
包装图



干燥剂



胶带ADHESIVE TAPE



标签LABEL

Note注解:

1. Put Housing in a PE bag, Packing detail see the table below

将 Housing放入PE袋内, 并放入一包干燥剂, 并将PE袋封好. 贴上标签.

2. Put PE bag packed products in cartons, Packing detail see the table below

将装好产品的PE袋放入纸箱内, 详细包装见下表

3. Label depends on customer request, carton opening joint with transparent tape

标签依客户要求而定, 纸箱开口处用透明胶带贴合.



Poles	Bag PCS
2*02	1000
2*03	1000
2*04	1000
2*05	1000
2*06	1000
2*07	1000
2*08	1000
2*09	1000
2*10	1000
2*11	1000
2*12	1000
2*13	1000
2*14	1000
2*15	1000
2*16	1000

DATE	REV	ECN NO.	DESCRIPTION	MODIFY	APPROVAL
1					
2					
3					
4					

GENERAL TOLERANCE	
.X	±0.35
.XX	±0.25
.XXX	±0.15
X.°	±0.2°

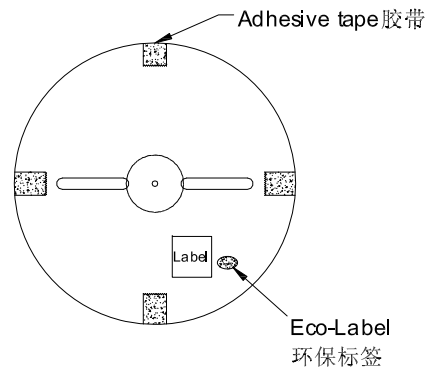
GYA 东莞市国亚电子有限公司
Connectors Dong Guan Guo Ya Connectors co., Ltd.

APPROVAL	CHECK	DRAWN	DATE
Yangzhengguo	Yangjinyi	Lvtiansheng	2014/12/02

PART NO. A2546H-XXX				
TITLE: 2.54mm Housing Package				
UNIT	SCALE	SHEET	REV	NUMBER
mm	1:1	1/1	A	-039

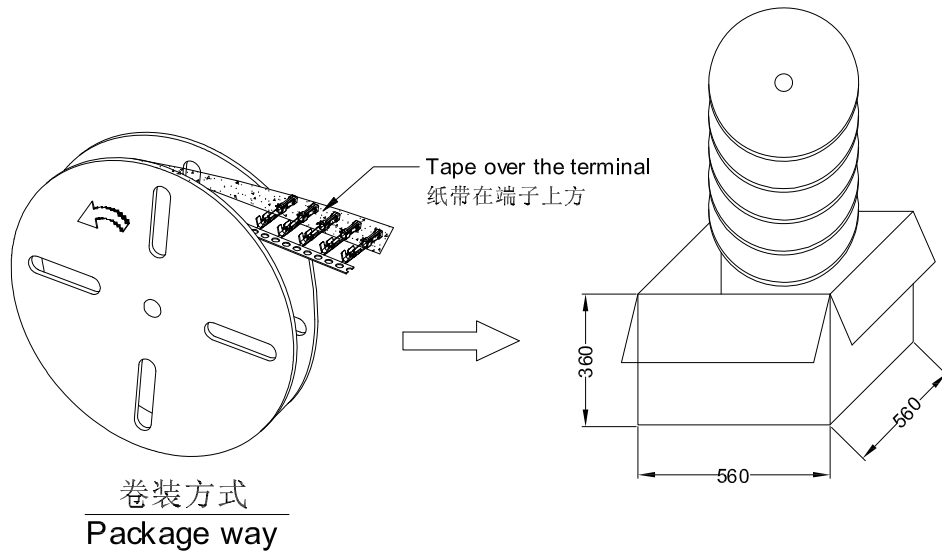
RoHS

包装图



Note 注解:

- Quantity 数量:
15K PCS/REEL 一卷15K/PCS
11 REEL/BOX 一箱11卷
165K PCS/BOX 一箱165K/PCS
- Each reel and outer box must be labeled and Eco-Label Respectively labeled
每盘和外箱都必须有标签及环保标签分别标示
- Terminal winding direction as shown
端子缠绕方向如左图所示
- There shall be no dirt such as deformation phenomenon, Mantissa box fillers must be used
每箱不可有脏污, 变形现象, 尾数箱必须用填充物
- Carton material: K=K, Carton thickness: 6±1mm
纸箱材质:K=K, 纸箱厚度:6±1mm



Adhesive tape 胶带

Label unified on the box top right corner
外箱标签位于右上角

					GENERAL TOLERANCE .X ±0.35 .XX ±0.25 .XXX ±0.15 X° ±0.2°				GYA 东莞市国亚电子有限公司 Connectors Dong Guan Guo Ya Connectors co., Ltd.				PART NO. A2546T-XXX TITLE: 2.54 mm Terminal Packing			
DATE	REV	ECN NO.	DESCRIPTION	MODIFY	APPROVAL	APPROVAL	CHECK	DRAWN	DATE	UNIT	SCALE	SHEET	REV	NUMBER		
						Yangzhengguo	Yangjinyi	Lvtiansheng	2014/12/02	mm	1:1	1/1	A	-039		