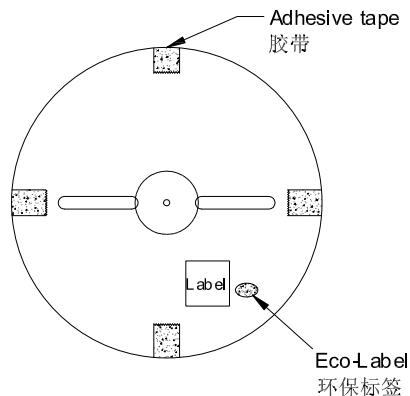


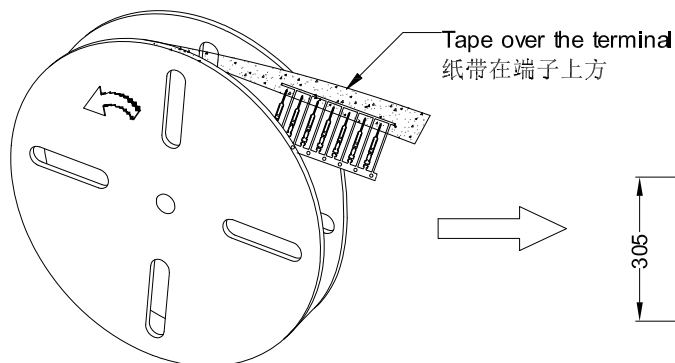
RoHS

包装图

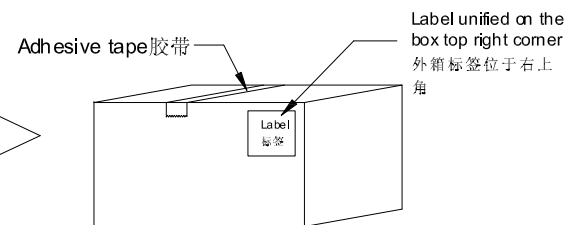
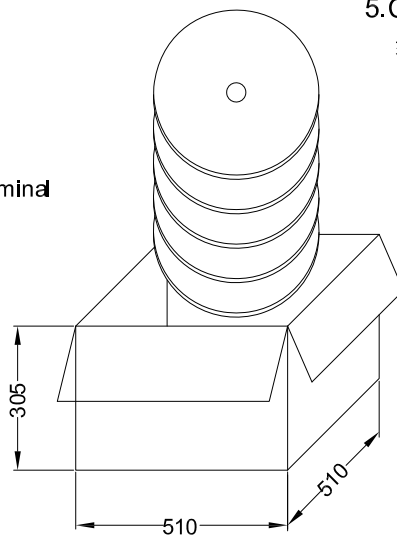


Note注解:

- Quantity数量:
10K PCS/REEL 一卷10K/PCS
7REEL/BOX 一箱7卷
70K PCS/BOX 一箱70K/PCS
- Each reel and outer box must be labeled and Eco-Label Respectively labeled
每盘和外箱都必须有标签及环保标签分别标示
- Terminal winding direction as shown
端子缠绕方向如左图所示
- There shall be no dirt such as deformation phenomenon, Mantissa box fillers must be used
每箱不可有脏污, 变形现象, 尾数箱必须用填充物
- Carton material: K=K, Carton thickness: 6~7mm
纸箱材质:K=K, 纸箱厚度:6~7mm



卷装方式
Package way



GENERAL TOLERANCE	
.X	±0.35
.XX	±0.25
.XXX	±0.15
X°	±0.2°

GYA 东莞市国亚电子有限公司
Connectors DONGGUO GUOYAELECTRONICS CO.,LTD

PART NO. A2542TM-XSN

APPROVAL CHECK DRAWN DATE

TITLE: 2.54mm Terminal Packing

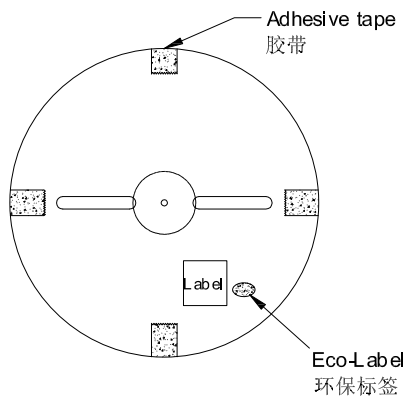
Yangzhengguo Yangjinyi Lvtiansheng 2013/09/29

UNIT	SCALE	SHEET	REV	NUMBER
mm	1:1	1/1	A0	A-053

DATE	REV	ECN NO.	DESCRIPTION	MODIFY	APPROVAL
1					

RoHS

包装图



Note注解:

1.Quantity数量:

15K PCS/REEL 一卷15K/PCS

9REEL/BOX 一箱9卷

135K PCS/BOX 一箱135K/PCS

2.Each reel and outer box must be labeled and Eco-Label Respectively labeled

每盘和外箱都必须有标签及环保标签分别标示

3.Terminal winding direction as shown

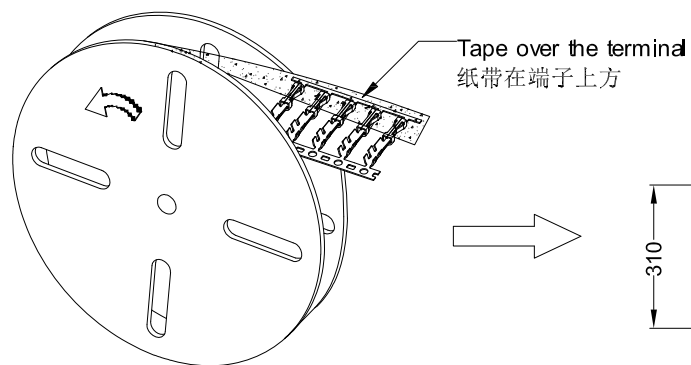
端子缠绕方向如左图所示

4. There shall be no dirt such as deformation phenomenon, Mantissa box fillers must be used

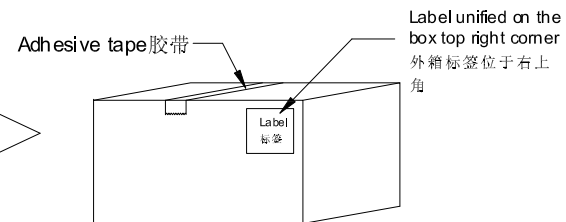
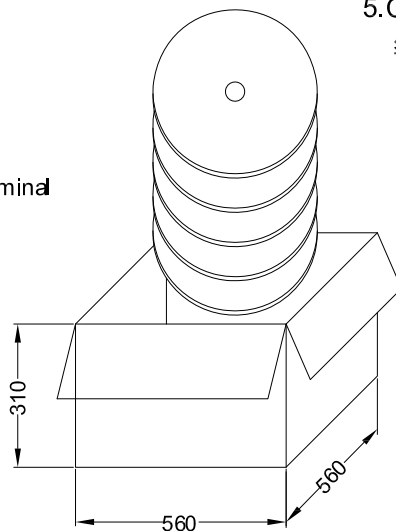
每箱不可有脏污, 变形现象, 尾数箱必须用填充物

5.Cartn material: K=K, Carton thickness: 6~7mm

纸箱材质:K=K, 纸箱厚度:6~7mm



卷装方式
Package way



DATE	REV	ECN NO.	DESCRIPTION	MODIFY	APPROVAL
1					
2					
3					
4					

GENERAL TOLERANCE	
.X	±0.35
.XX	±0.25
.XXX	±0.15
X°	±0.2°

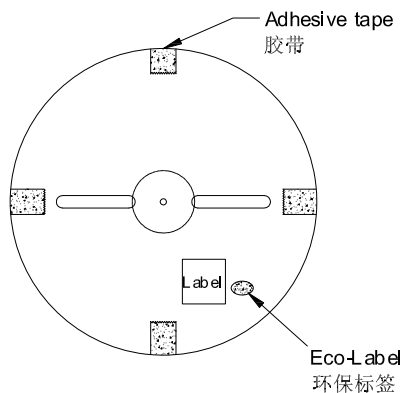
GYA 东莞市国亚电子有限公司
Connectors DONGGUO GUOYAELECTRONICS CO.,LTD

APPROVAL	CHECK	DRAWN	DATE
Yangzhengguo	Yangjinyi	Lvtiansheng	2013/09/29

PART NO.				
A2542TF-PXXX				
TITLE:				
2.54mm Terminal Packing				
UNIT	SCALE	SHEET	REV	NUMBER
mm	1:1	1/1	A0	A-053

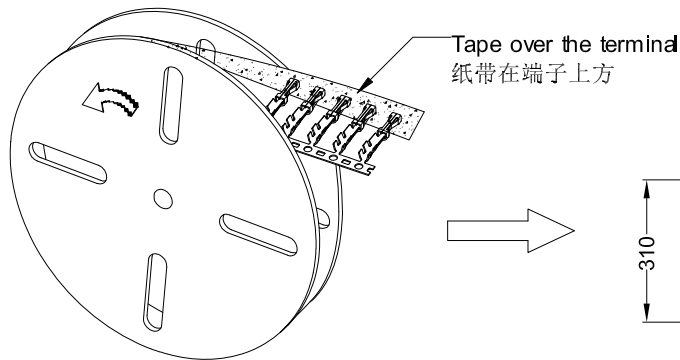
RoHS

包装图

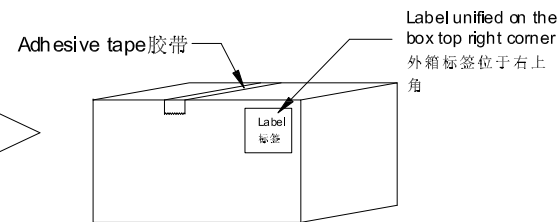
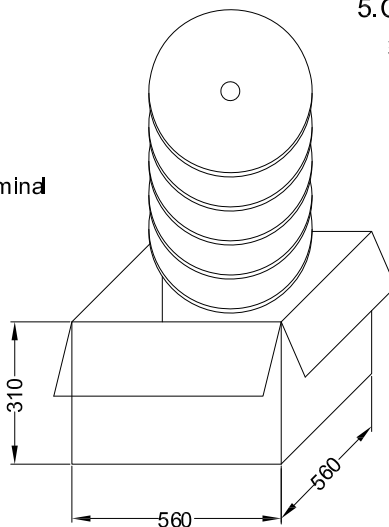


Note注解:

- Quantity数量:
15K PCS/REEL 一卷15K/PCS
9REEL/BOX 一箱9卷
135K PCS/BOX 一箱135K/PCS
- Each reel and outer box must be labeled and Eco-Label Respectively labeled
每盘和外箱都必须有标签及环保标签分别标示
- Terminal winding direction as shown
端子缠绕方向如左图所示
- There shall be no dirt such as deformation phenomenon, Mantissa box fillers must be used
每箱不可有脏污, 变形现象, 尾数箱必须用填充物
- Carton material: K=K, Carton thickness: 6~7mm
纸箱材质:K=K, 纸箱厚度:6~7mm



卷装方式
Package way



DATE	REV	ECN NO.	DESCRIPTION	MODIFY	APPROVAL

GENERAL TOLERANCE	
.X	±0.35
.XX	±0.25
.XXX	±0.15
X°	±0.2°

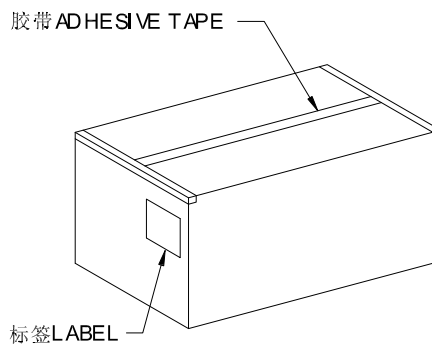
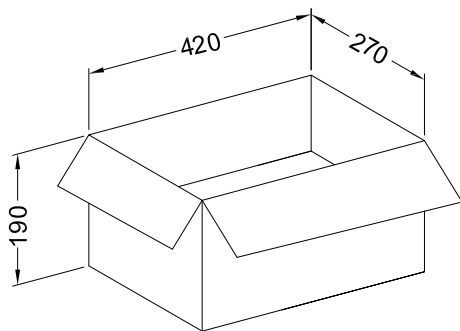
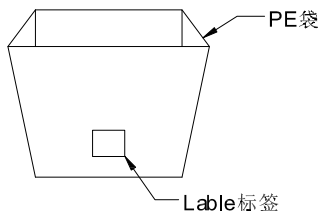
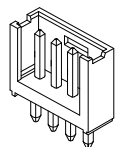
GYA 东莞市国亚电子有限公司
Connectors DONGGUO GUOYAELECTRONICS CO.,LTD

APPROVAL	CHECK	DRAWN	DATE
Yangzengguo	Yangjinyi	Lvliansheng	2013/09/29

PART NO. A2542TF-PSN-A				
TITLE: 2.54mm Terminal Packing				
UNIT	SCALE	SHEET	REV	NUMBER
mm	1:1	1/1	A0	A-053

RoHS

包装图



Note注解:

- Put Wafer in a PE bag, Packing detail see the table below
将Wafer放入PE袋内, 详细包装见下表
- Put PE bag packed products in specifications of 420 * 270 * 190 mm cartons, Packing detail see the table below
将装好产品的PE袋放入规格为420*270*190mm的纸箱内, 详细包装见下表
- Label depends on customer request, carton opening joint with transparent tape
标签依客户要求而定, 纸箱开口处用透明胶带贴合.
- Carton material: K=K; Carton Thickness:6~7mm
纸箱材质:K=K, 纸箱厚度: 6~7mm



Poles	Bag PCS	CARTON Bag	CARTON PCS
02	1000	15	15K
03			16K
04		10	16K
05	500	6	7K
06			10
07		10	5K
08			1.5K
09	250	3	1.5K
10			1.5K
11			1.5K
12			1.5K
13			1.5K
14	1.5K		
15	1.5K		

GENERAL TOLERANCE

.X ±0.35

.XX ±0.25

.XXX ±0.15

X° ±0.2°

视 角

⊕ ⊖

GYA 东莞市国亚电子有限公司
Connectors DONGGUO GUOYAELECTRONICS CO.,LTD

PART NO.
A2542WV-XX-XXXX

TITLE:
2.54mm WAFER Packing

APPROVAL CHECK DRAWN DATE

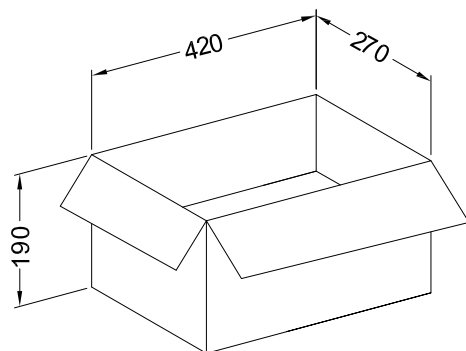
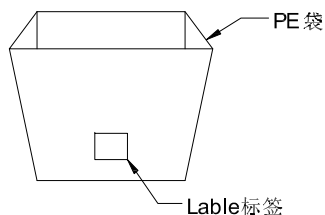
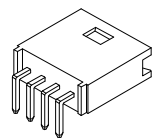
Yangzhengguo Yangjinyi Lviansheng 2013/08/31

UNIT	SCALE	SHEET	REV	NUMBER
mm	1:1	1/1	A0	A-000

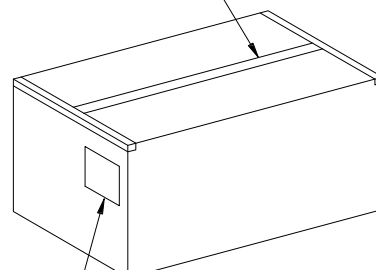
DATE	REV	ECN NO.	DESCRIPTION	MODIFY	APPROVAL
1					

RoHS

包装图



胶带ADHESIVE TAPE



标签LABEL

Note注解:

- Put Wafer in a PE bag, Packing detail see the table below
将Wafer放入PE袋内，详细包装见下表
- Put PE bag packed products in specifications of 420 * 270 * 190 mm cartons,
Packing detail see the table below
将装好产品的PE袋放入规格为420*270*190mm的纸箱内，详细包装见下表
- Label depends on customer request, carton opening joint with transparent tape
标签依客户要求而定，纸箱开口处用透明胶带贴合.
- Carton material: K=K; Carton Thickness: 6~7mm
纸箱材质:K=K, 纸箱厚度: 6~7mm



Poles	Bag PCS	CARTON Bag	CARTON PCS
02	1000	20	20K
03		12	12K
04		16	16K
05		16	8K
06	500	14	7K
07		12	6K
08		6	1.5K
09			
10			
11			
12			
13			
14			
15			

					GENERAL TOLERANCE .X ±0.35 .XX ±0.25 .XXX ±0.15 X° ±0.2°		GYA 东莞市国亚电子有限公司 Connectors DONGGUO GUOYAELECTRONICS CO.,LTD		PART NO. A2542WR-XX-XXXX	
					APPROVAL Yangzhengguo		CHECK Yangjinyi		TITLE: 254mm WAFER Packing	
DATE	REV	ECN NO.	DESCRIPTION	MODIFY	APPROVAL	DRAWN	DATE	UNIT	SCALE	SHEET
1						Lvtiansheng	2013/08/31	m	1:1	1/1
								REV	NUMBER	
								A0	A-000	