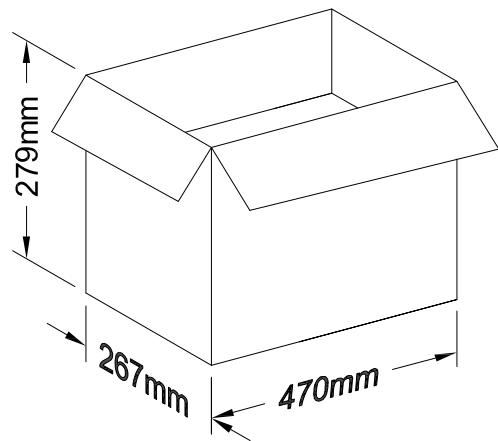
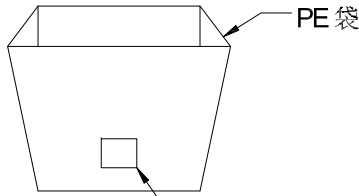
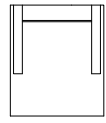
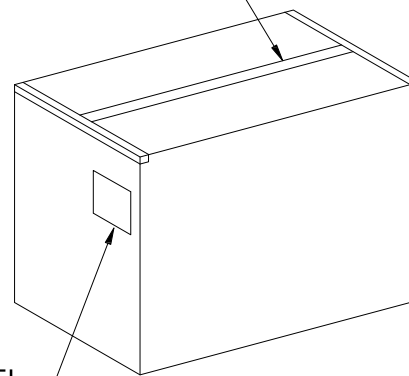


RoHS

包装图



胶带ADHESIVE TAPE



Note注解:

1. Place Housing into PE bag and seal PE bag. Label.
将 Housing放入PE袋内, 并将PE袋封好. 贴上标签.
2. Put PE bag packed products in cartons, Packing detail see the table below
将装好产品的PE袋放入纸箱内, 详细包装见下表
3. Label depends on customer request, carton opening joint with transparent tape
标签依客户要求而定, 纸箱开口处用透明胶带贴合.
4. There shall be no dirt such as deformation phenomenon,
Mantissa box fillers must be used
每箱不可有脏污, 变形现象, 尾数箱必须用填充物
5. Carton material: K=K, Carton thickness: 6~7mm
纸箱材质: K=K, 纸箱厚度: 6~7mm

Poles	Bag PCS	Box PCS
02	1000	30K
03	1000	24K
04	1000	16K
05	1000	15K
06	1000	12K
08	1000	11K
09	1000	9K
10	1000	
11	1000	
12	1000	7K
13	1000	6K
14	1000	5K
15	1000	5K

GENERAL TOLERANCE

.X ±0.30

.XX ±0.20

.XXX ±0.10

X.° ±0.2°

视 角

⊕ ⊖



东莞市国亚电子有限公司
Dong Guan Guo Ya Connectors co., Ltd.

APPROVAL

CHECK

DRAWN

DATE

Yangzhengguo

Yangjinyi

Lvtiansheng

2016/08/26

PART NO. A2510HF-XXX
A2510H-XXX

TITLE:
2.54mm Housing Packing

UNIT	SCALE	SHEET	REV	NUMBER
mm	1:1	1/1	A0	A-022

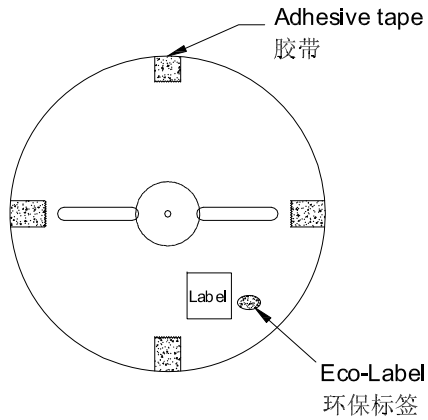
DATE	REV	ECN NO.	DESCRIPTION	MODIFY	APPROVAL
1					
2					
3					
4					
5					
6					
7					
8					

RoHS

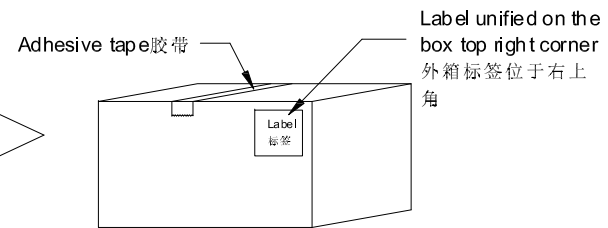
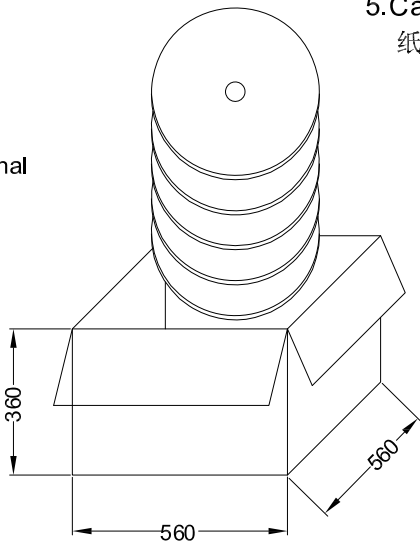
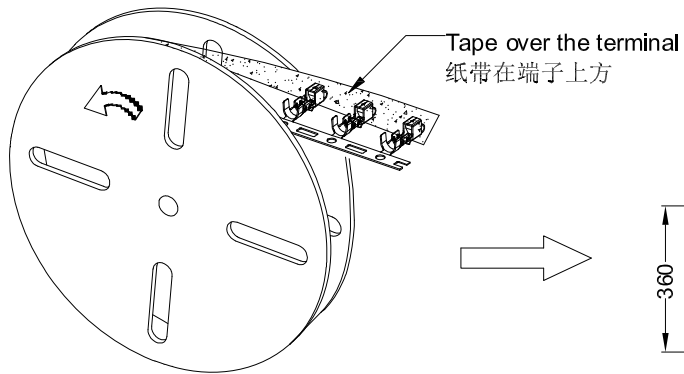
包装图

F
E
D
C
B
A

F
E
D
C
B
A



- Note注解:
- Quantity数量:
5K PCS/REEL 一卷5K/PCS
13 REEL/BOX 一箱13卷
65K PCS/BOX 一箱65K/PCS
 - Each reel and outer box must be labeled and Eco-Label Respectively labeled
每盘和外箱都必须有标签及环保标签分别标示
 - Terminal winding direction as shown
端子缠绕方向如左图所示
 - There shall be no dirt such as deformation phenomenon, Mantissa box fillers must be used
每箱不可有脏污,变形现象,尾数箱必须用填充物
 - Carton material: K=K, Carton thickness: 6~7mm
纸箱材质:K=K, 纸箱厚度:6~7mm



卷装方式
Package way

DATE		REV	ECN NO.	DESCRIPTION	MODIFY	APPROVAL	<table border="1"> <tr> <th colspan="4">GENERAL TOLERANCE</th> </tr> <tr> <td>.X</td> <td>±0.30</td> <td>.XX</td> <td>±0.20</td> </tr> <tr> <td>.XXX</td> <td>±0.10</td> <td>X.°</td> <td>±0.2°</td> </tr> <tr> <td>视角</td> <td></td> <td colspan="2"></td> </tr> </table>				GENERAL TOLERANCE				.X	±0.30	.XX	±0.20	.XXX	±0.10	X.°	±0.2°	视角				<table border="1"> <tr> <td colspan="2"> GYA Connectors </td> <td colspan="2"> 东莞市国亚电子有限公司 Dong Guan Guo Ya Connectors co., Ltd. </td> </tr> </table>		GYA Connectors		东莞市国亚电子有限公司 Dong Guan Guo Ya Connectors co., Ltd.		<table border="1"> <tr> <th colspan="4">PART NO.</th> </tr> <tr> <td colspan="4">A2510T-XXX</td> </tr> <tr> <th colspan="4">TITLE:</th> </tr> <tr> <td colspan="4">2.54mm Terminal Packing</td> </tr> <tr> <th>UNIT</th> <th>SCALE</th> <th>SHEET</th> <th>REV</th> <th>NUMBER</th> </tr> <tr> <td>mm</td> <td>1:1</td> <td>1/1</td> <td>A0</td> <td>A-022</td> </tr> </table>				PART NO.				A2510T-XXX				TITLE:				2.54mm Terminal Packing				UNIT	SCALE	SHEET	REV	NUMBER	mm	1:1	1/1	A0	A-022
GENERAL TOLERANCE																																																														
.X	±0.30	.XX	±0.20																																																											
.XXX	±0.10	X.°	±0.2°																																																											
视角																																																														
GYA Connectors		东莞市国亚电子有限公司 Dong Guan Guo Ya Connectors co., Ltd.																																																												
PART NO.																																																														
A2510T-XXX																																																														
TITLE:																																																														
2.54mm Terminal Packing																																																														
UNIT	SCALE	SHEET	REV	NUMBER																																																										
mm	1:1	1/1	A0	A-022																																																										
APPROVAL		CHECK	DRAWN	DATE	<table border="1"> <tr> <td>Yangzhengguo</td> <td>Yangjinyi</td> <td>Lvtiansheng</td> <td>2016/08/26</td> </tr> </table>		Yangzhengguo	Yangjinyi	Lvtiansheng	2016/08/26																																																				
Yangzhengguo	Yangjinyi	Lvtiansheng	2016/08/26																																																											

1 2 3 4 5 6 7 8