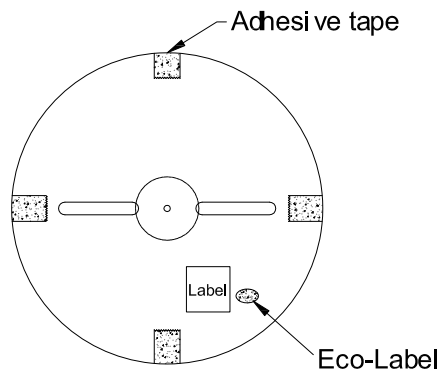


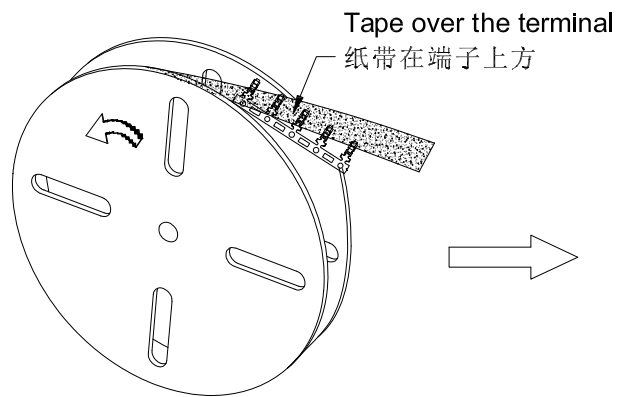
RoHS

包装图

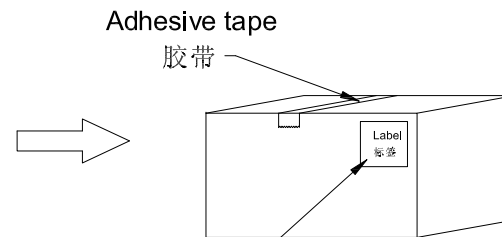
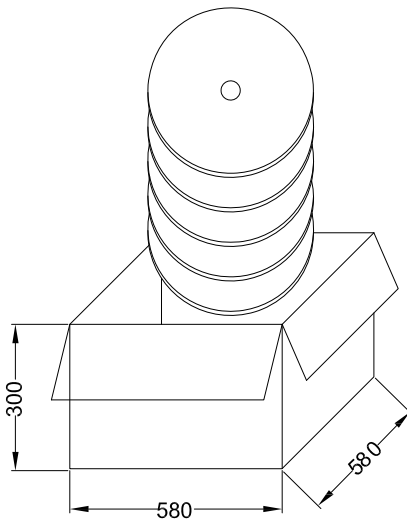


Note注解:

- Quantity数量:
7K PCS/REEL 一卷7KPCS
12 REEL/BOX 一箱12卷
84K PCS/BOX 一箱84K/PCS
- Each reel and outer box must be labeled and Eco-Label Respectively labeled
每盘和外箱都必须有标签及环保标签分别标示
- Terminal winding direction as shown
端子缠绕方向如左图所示
- There shall be no dirt such as deformation phenomenon, Mantissa box fillers must be used
每箱不可有脏污, 变形现象, 尾数箱必须用填充物



卷装方式
Package way



Label unified on the box top right corner
外箱标签位于右上角

GENERAL TOLERANCE

.X	±0.35
.XX	±0.25
.XXX	±0.15
X°	±0.2°



东莞市国亚电子有限公司
Dong Guan Guo Ya Connectors co., Ltd.

PART NO. A2508T-XSNX

TITLE:
2.50 mm Terminal Packing

APPROVAL CHECK DRAWN DATE

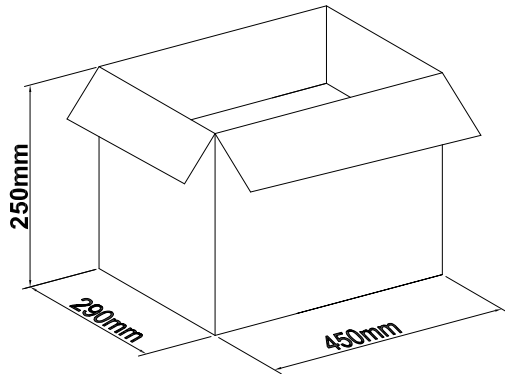
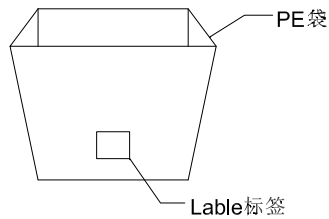
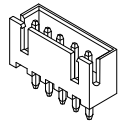
Yangzhengguo Yangjinyi Lviansheng 2014/12/02

UNIT	SCALE	SHEET	REV	NUMBER
mm	1:1	1/1	A	-039

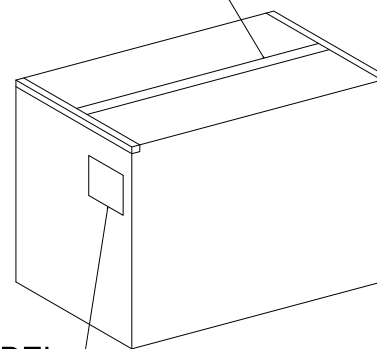
DATE	REV	ECN NO.	DESCRIPTION	MODIFY	APPROVAL
1					
2					

RoHS

包装图



胶带 ADHESIVE TAPE



标签 LABEL

备注:

1. 将产品放入PE袋内，产品不可少数，多数并封装好
2. 内外包装均需有数量标签，尾数包装需用不影响品质之物品填充并注明尾数
3. 将装好产品的PE袋整齐放入纸箱内，详细包装见下表
4. 标签依客户要求而定，纸箱开口处用透明胶带贴合。
5. 每箱不可有脏污，变形现象
6. 纸箱尺寸：450*290*250mm
纸箱材质：K=K
纸箱厚度：6±1mm



Poles	Bag PCS	Box PCS
A2508WV-04X-N0SN-07	1000	25000
A2508WV-05X-N0SN-07	1000	20000

GENERAL TOLERANCE

.X ±0.35

.XX ±0.25

.XXX ±0.15

X° ±0.2°



GYA
Connectors

东莞市国亚电子有限公司
Dong Guan Guo Ya Connectors co., Ltd.

PART NO.
A2508 WV-XXX-N0SN-07

TITLE:
2.50mm Crimp style Connector Packing

APPROVAL CHECK DRAWN DATE

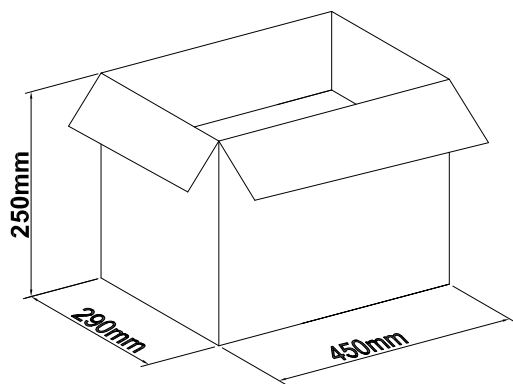
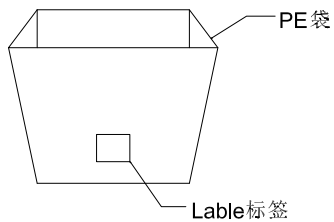
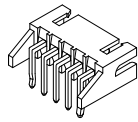
Yangzhengguo Yangjlhyl Lviliansheng 2019/09/03

UNIT	SCALE	SHEET	REV	NUMBER
mm	1:1	1/1	AA	-007

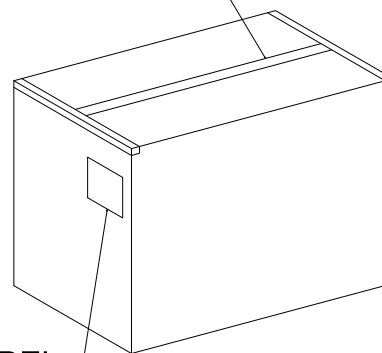
DATE	REV	ECN NO.	DESCRIPTION	MODIFY	APPROVAL

RoHS

包装图



胶带ADHESIVE TAPE



备注:

- 1.将 产品放入PE袋内，产品不可少数，多数并封装好
- 2.内外包装均需有数量标签，尾数包装需用不影响品质之物品填充并注明尾数
- 3.将装好产品的PE袋整齐放入纸箱内，详细包装见下表
- 4.标签依客户要求而定，纸箱开口处用透明胶带贴合。
- 5.每箱不可有脏污，变形现象
- 6.纸箱尺寸：450*290*250mm
纸箱材质：K=K
纸箱厚度：6±1mm



Poles	Bag PCS	Box PCS
A2508WR-02 X-N0SN-07	1000	30000
A2508WR-03 X-N0SN-07	1000	20000

GENERAL TOLERANCE

.X ±0.35

.XX ±0.25

.XXX ±0.15

X° ±0.2°



东莞市国亚电子有限公司
Dong Guan Guo Ya Connectors co., Ltd.

APPROVAL

CHECK

DRAWN

DATE

Yangzhengguo

Yangjinyi

Lvtiansheng

2019/09/03

PART NO.

A2508WR-XXX-N0SN-07

TITLE:

2.50mm Crtmp style Connector Packng

UNIT	SCALE	SHEET	REV	NUMBER
mm	1:1	1/1	A	-007

DATE

REV

ECN NO.

DESCRIPTION

MODIFY

APPROVAL

1

2

3

4

5

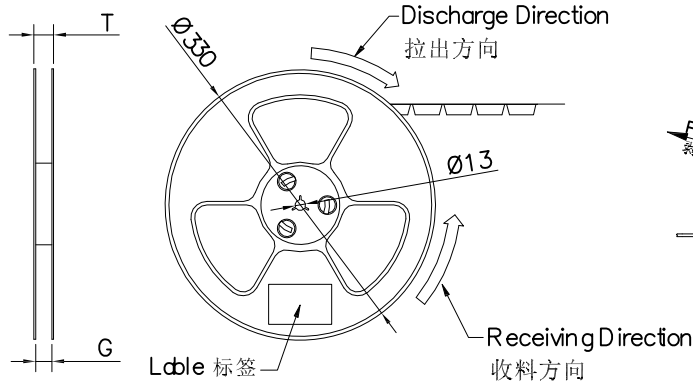
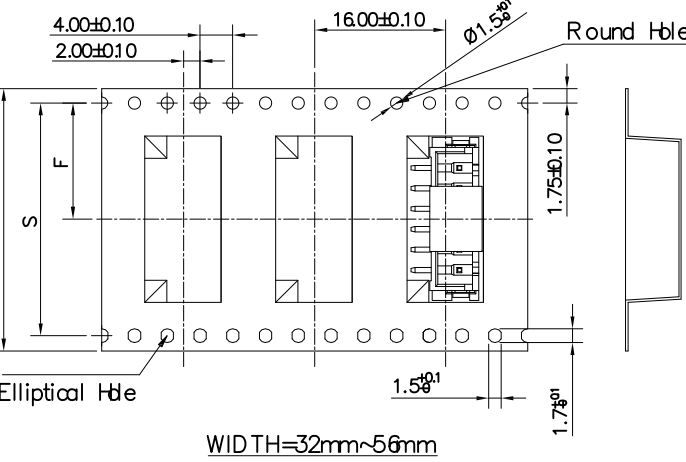
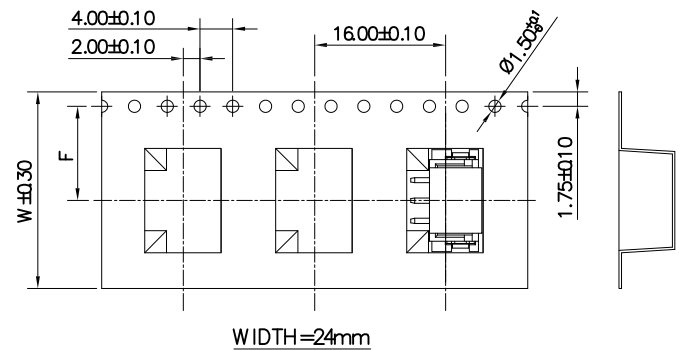
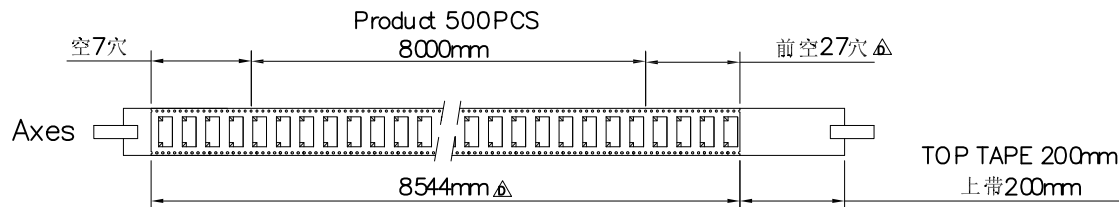
6

7

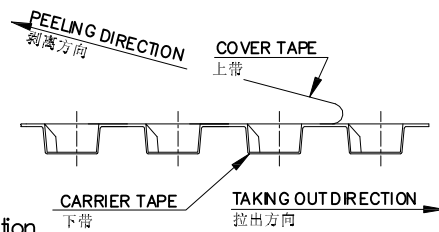
8

RoHS

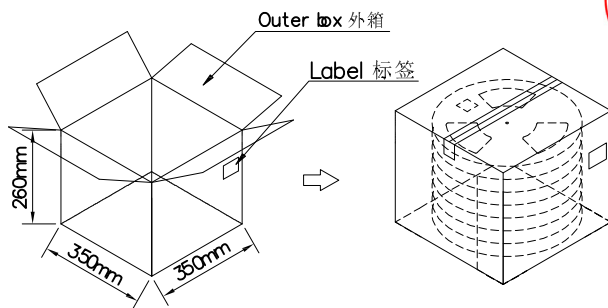
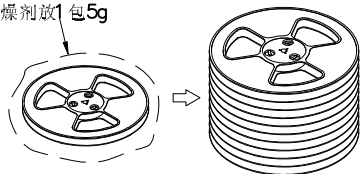
包装图



COVER TAPE PEEL STRENGTH:20~120g
上带剥离力量: 20~120g
速度 PEEL SPEED:300mm/minute



Vacuum packing
真空包装
Drier
干燥剂放1包5g



Label 标签
Single hole: None Hole Side
单孔: 贴无磁孔侧
Double hole: Elliptical Hole Side
双孔: 贴椭圆孔侧

Note

- Carrier Camber Is Within 1mm In 100mm; 带长100mm内容许弯曲度1mm
- 10 Sprocket Hole Pitch Cumulative Tolerance ±0.2MM; 圆孔十个孔距离累计允许公差为±0.2mm.
- Material for PS Natural 材质为PS材质 Color颜色: Natural透明色
- bracer保护带: Color颜色: Natural透明色; 厚度0.40mm最小
- Thickness=0.40±0.05; 材料厚度为0.40±0.05mm.
- 上带包装方式 A2508WVS-XX-LPSN 冷封; A2508WVS-XX-LPSN-R 热封
- Carton material 纸箱材质: K&K; Carton Thickness 纸箱厚度: 6~7mm

	Pin No.	W	S	F	T	G	REEL /PCS	CARTON /R	CARTON /PCS
A2508WVS-XX-LPSN-R	A2508WVS-02	24	/	11.50	2850	2450	500	8	4000
	A2508WVS-03								
	A2508WVS-04								
	A2508WVS-05	32	28.4	14.20	3650	3250	500	7	3500
	A2508WVS-06								
	A2508WVS-07								
	A2508WVS-08	44	40.4	20.20	4850	4450	500	5	2500
	A2508WVS-09								
	A2508WVS-10								
	A2508WVS-14	56	52.4	26.2	6050	5650	500	4	2000

GENERAL TOLERANCE	
X	±0.35
.XX	±0.25
.XXX	±0.15
X*	±0.2

GYA 东莞市国亚电子有限公司
Connectors Dong Guan Guo Ya Connectors co., Ltd.

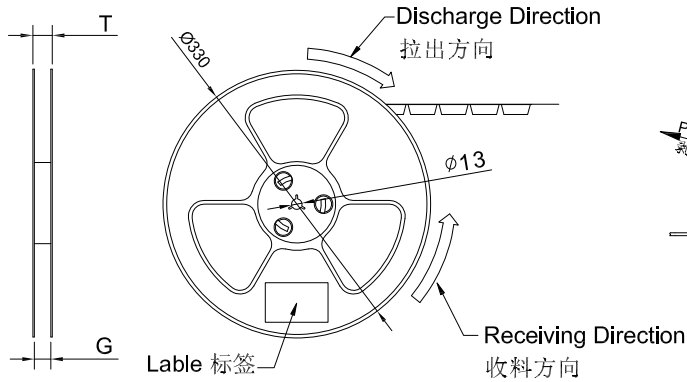
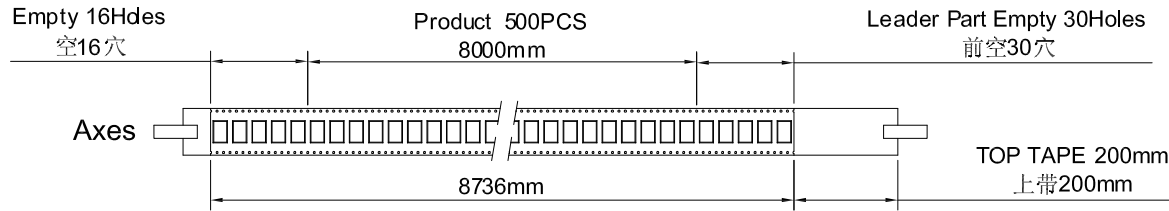
APPROVAL	CHECK	DRAWN	DATE
Yangzhengguo	Yangjinyi	Lvtiansheng	2018/08/27

PART NO. A2508WVS-XX-LPSN-X

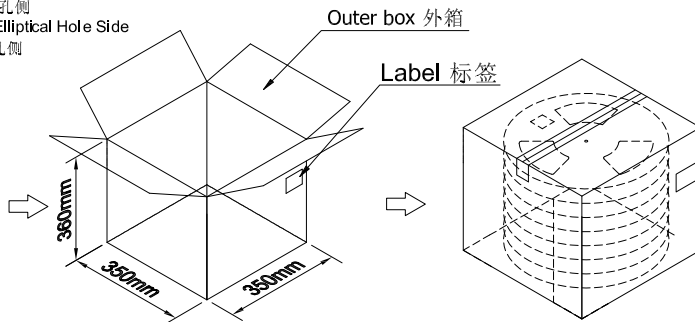
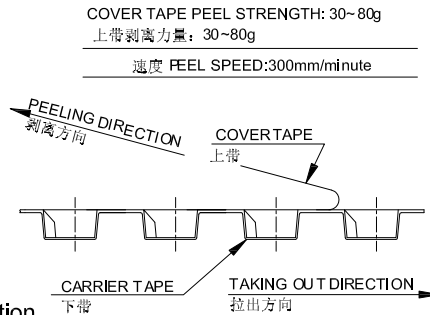
TITLE: 2.50mm Connectors 180° Packing				
UNIT	SCALE	SHEET	REV	NUMBER
mm	1:1	1/1	A	A-084

DATE	REV	ECN NO.	DESCRIPTION	MODIFY	APPROVAL

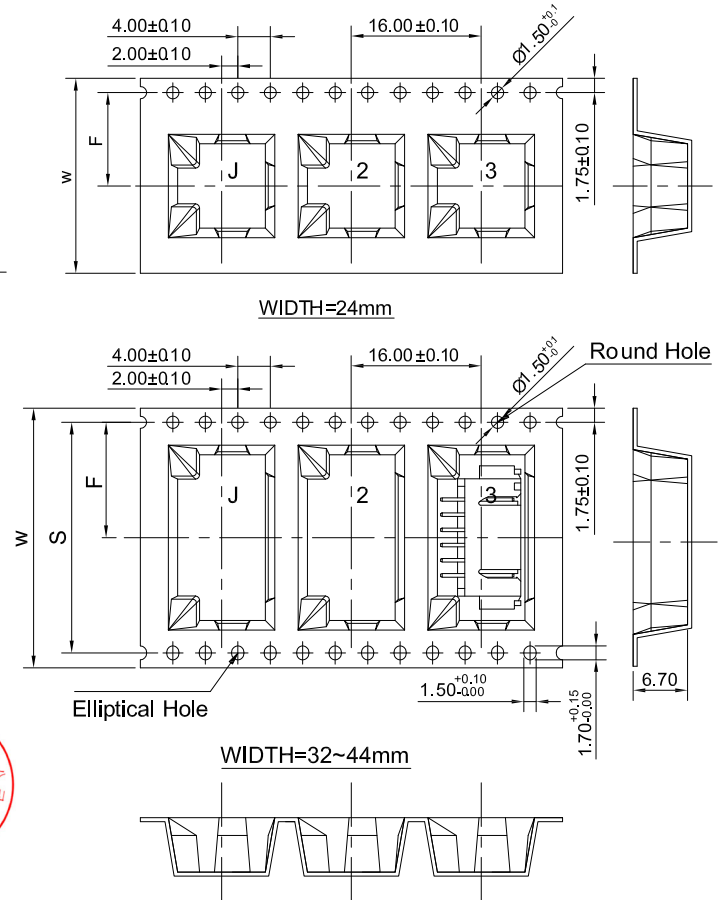
RoHS 包装图



Single hole: None Hole Side
 单孔: 贴无链孔侧
 Double hole: Elliptical Hole Side
 双孔: 贴椭圆孔侧



- Note:
- Carrier Camber Is Within 1mm In 100mm ; 带长100mm内容许弯曲度1mm
 - 10 Sprocket Hole Pitch Cumulative Tolerance ± 0.2 MM; 圆孔十个孔距离累计允许公差为 ± 0.2 mm
 - Material for PS Black; 材质为PS材质 Color颜色: Natural透明色
 - bracer保护带: Color颜色 Natural透明色; 厚度0.40mm最小
 - T thickness = 0.50 ± 0.05 ; 材料厚度为 0.50 ± 0.05 mm
 - Cover Tape 上带: 热封
 - Carton material 纸箱材质 K=K; Carton Thickness 纸箱厚度: 6~7mm



	Pin Na	WS		F	T	G	B0	REEL /PCS	CARTON /R	CARTON /PCS
A2508WRS-XX-XXXX	A2508WRS-02	24	/	11.50	27.0	25.5	10.4	500	12	6000
	A2508WRS-03					12.9				
	A2508WRS-04					15.4				
A2508WRS-XXA-XXXX	A2508WRS-05	32	28.4	14.20	35.0	33.5	17.9	500	9	4500
	A2508WRS-06					20.4				
	A2508WRS-07					22.9				
	A2508WRS-08	44	40.4	20.20	48.4	44.4	25.4	500	7	3500
	A2508WRS-09					27.9				

GENERAL TOLERANCE	
.X	± 0.35
.XX	± 0.25
.XXX	± 0.15
X°	$\pm 0.2^\circ$

GYA 东莞市国亚电子有限公司
 Connectors Dong Guan Guo Ya Connectors co., Ltd.

APPROVAL	CHECK	DRAWN	DATE
Yangzhengguo	Yangjiyini	Lvtiansheng	2016/12/26

PART NO.				
A2508WRS-XX-XXXX				
TITLE:				
2.50mm Connectors 90° Packing				
UNIT	SCALE	SHEET	REV	NUMBER
mm	1:1	1/1	A	-331

DATE	REV	ECN NO.	DESCRIPTION	MODIFY	APPROVAL