

RoHS

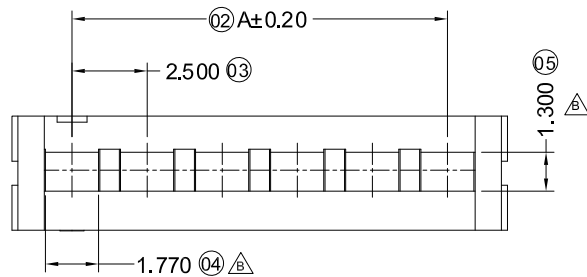
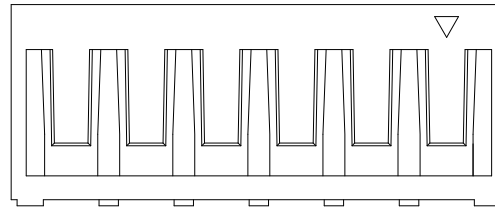
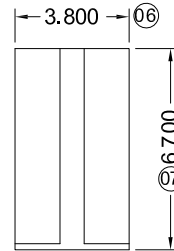
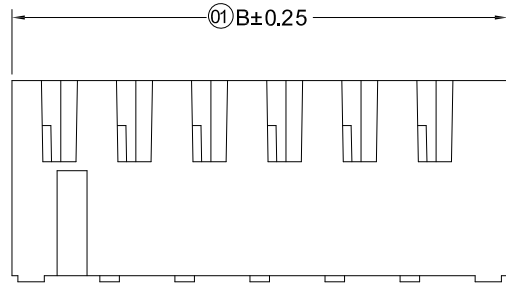
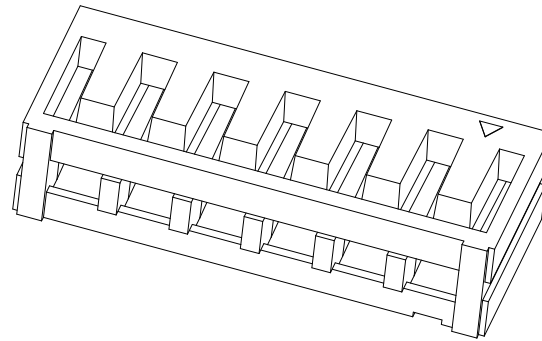
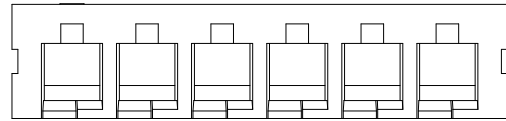
■ Specifications :

- Voltage rating: 250V AC / DC
- Current rating: 3A AC / DC
- Withstanding voltage: 800V AC/minute
- Temperature range: -25°C~+85°C
- Insulation resistance: ≥1000MΩ
- Suitable GYA Terminal: A2507TR

A2507 H R-XX X-N0 XX

① ② ③ ④ ⑤ ⑥ ⑦

- ① Series No.
- ② Category: H-HSG
- ③ Connector type: R-90°
- ④ Row No.-Pin No per row: XX-02P~16P
- ⑤ Special No. :
- ⑥ Material: N0-PA66 UL 94V-0
- ⑦ Color: Blank-Natural Color



| Poles | Dimensions (mm) | | Poles | Dimensions (mm) | |
|-------|-----------------|-------|-------|-----------------|-------|
| | A | B | | A | B |
| 02 | 2.50 | 6.50 | 10 | 22.50 | 26.50 |
| 03 | 5.00 | 9.00 | 11 | 25.00 | 29.00 |
| 04 | 7.50 | 11.50 | 12 | 27.50 | 31.50 |
| 05 | 10.00 | 14.00 | 13 | 30.00 | 34.00 |
| 06 | 12.50 | 16.50 | 14 | 32.50 | 36.50 |
| 07 | 15.00 | 19.00 | 15 | 35.00 | 39.00 |
| 08 | 17.50 | 21.50 | 16 | 37.50 | 41.50 |
| 09 | 20.00 | 24.00 | | | |

| DATE | REV | ECN NO | DESCRIPTION | MODIFY | APPROVAL |
|------|-----|--------|-------------|--------|----------|
| | | | | | |

| | |
|-------------------|-------|
| GENERAL TOLERANCE | |
| .X | ±0.30 |
| .XX | ±0.20 |
| .XXX | ±0.10 |
| X.° | ±2° |
| PROJECT | |
| | |

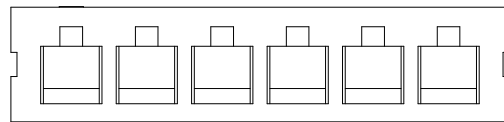
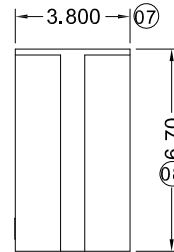
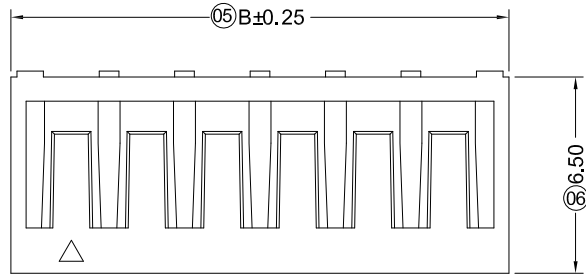
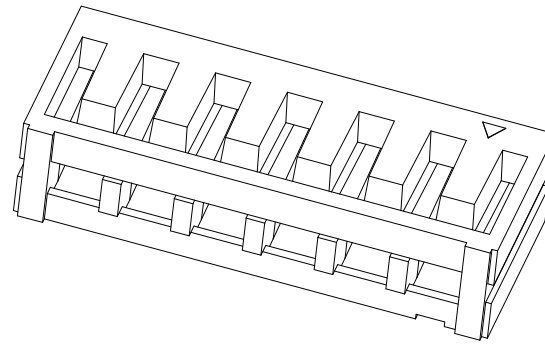
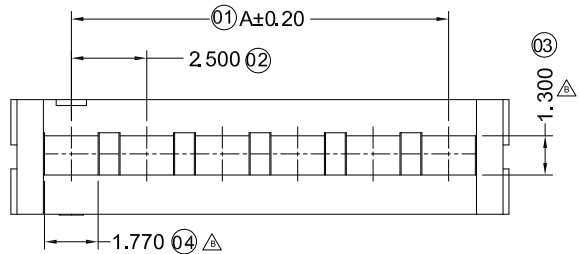
GYA
Connectors

东莞市国亚电子有限公司
Dong Guan Guo Ya Connectors co., Ltd.

| APPROVAL | CHECK | DRAWN | DATE |
|--------------|-----------|-------------|------------|
| Yangzhengguo | Yangjinyi | Lvtiansheng | 2016/08/26 |

| PART NO. | | | | | |
|------------------------------|-------|-------|-----|--------|--|
| A2507HR-XX-N0 | | | | | |
| TITLE | | | | | |
| 2.50mm Crimp Style Connector | | | | | |
| UNIT | SCALE | SHEET | REV | NUMBER | |
| mm | 1:1 | 1/1 | A0 | A-022 | |

RoHS



■ Specifications :

- Voltage rating: 250V AC / DC
- Current rating: 3A AC / DC
- Withstanding voltage: 800V AC/minute
- Temperature range: -25°C~+ 85°C
- Insulation resistance: ≥1000MΩ
- Suitable GYA Terminal: A2507TV

A2507 H V-XX X-N0 XX

① ② ③ ④ ⑤ ⑥ ⑦

- ① Series No.
- ② Category: H-HSG
- ③ Connector type: V-180°
- ④ Row No.-Pin No per row. XX-02P~16P
- ⑤ Special No. :
- ⑥ Material: N0-PA66 UL 94V-0
- ⑦ Color: Blank-Natural Color

| Pdes | Dimensions (mm) | | Poles | Dimensions (mm) | |
|------|-----------------|-------|-------|-----------------|-------|
| | A | B | | A | B |
| 02 | 2.50 | 6.50 | 10 | 22.50 | 26.50 |
| 03 | 5.00 | 9.00 | 11 | 25.00 | 29.00 |
| 04 | 7.50 | 11.50 | 12 | 27.50 | 31.50 |
| 05 | 10.00 | 14.00 | 13 | 30.00 | 34.00 |
| 06 | 12.50 | 16.50 | 14 | 32.50 | 36.50 |
| 07 | 15.00 | 19.00 | 15 | 35.00 | 39.00 |
| 08 | 17.50 | 21.50 | 16 | 37.50 | 41.50 |
| 09 | 20.00 | 24.00 | | | |

| DATE | REV | ECN NO | DESCRIPTION | MODIFY | APPROVAL | PROJECT | APPROVAL | CHECK | DRAWN | DATE | UNIT | SCALE | SHEET | REV | NUMBER |
|------|-----|--------|-------------|--------|----------|---------|--------------|-----------|-------------|------------|------|-------|-------|-----|--------|
| 1 | | | | | | ① ② | Yangzhengguo | Yangjinyi | Lvtiansheng | 2016/08/26 | mm | 1:1 | 1/1 | A0 | A-022 |

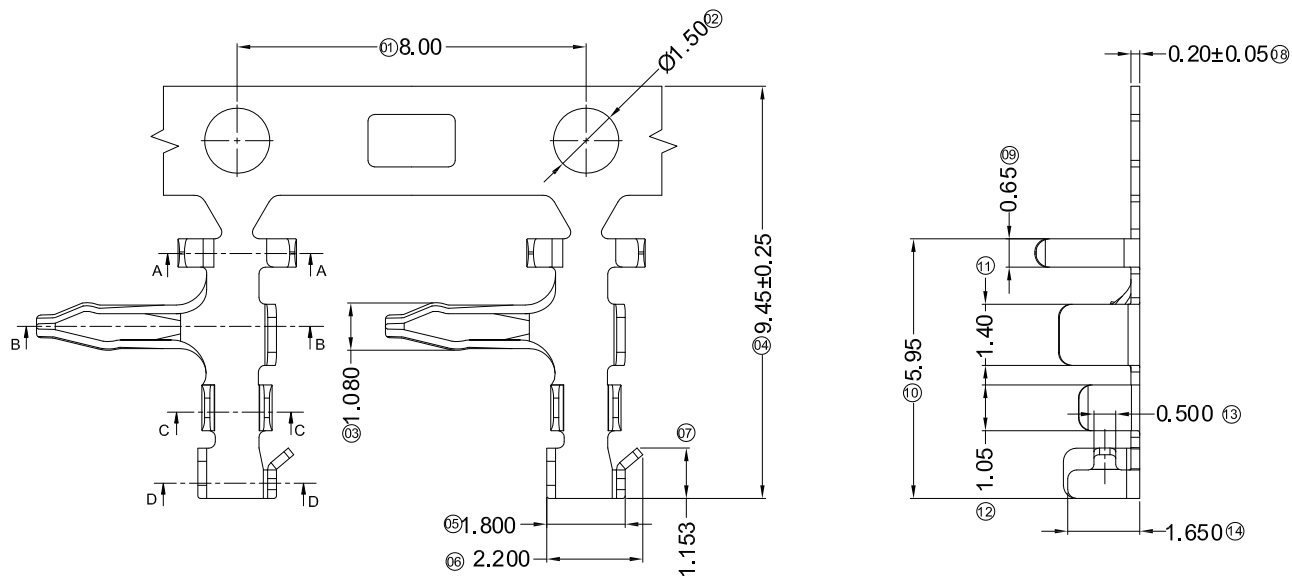
| GENERAL TOLERANCE | |
|-------------------|-------|
| .X | ±0.30 |
| .XX | ±0.20 |
| .XXX | ±0.10 |
| X.° | ±2° |



东莞市国亚电子有限公司
Dong Guan Guo Ya Connectors co., Ltd.

| PART NO. | | | | |
|------------------------------|-------|-------|-----|--------|
| A2507HV-XX-N0 | | | | |
| TITLE | | | | |
| 2.50mm Crimp Style Connector | | | | |
| UNIT | SCALE | SHEET | REV | NUMBER |
| mm | 1:1 | 1/1 | A0 | A-022 |

RoHS



Specifications :

- Voltage rating: 250V AC / DC
- Current rating: 3A AC / DC
- Withstanding voltage: 800V AC/minute
- Temperature range: -25°C~+ 85°C
- Insulation resistance: ≥1000MΩ

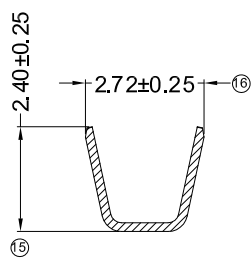
- Wire Size: AWG#22~24(0.35~0.22mm²)
- Insulation O.D.: 1.60mm (Max)
- Used In GYA Housing: A2507HR



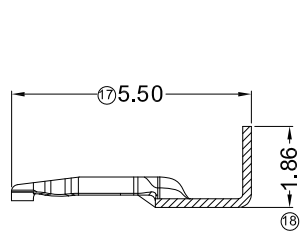
A2507 T R-X SN X - X

① ② ③ ④ ⑤ ⑥ ⑦

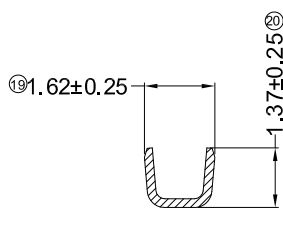
- ① Series Number
- ② Category: T-terminal
- ③ Connector type: V-90°
- ④ Material: B-Brass ; P-Phosphor bronze
- ⑤ Plating code: SN-Bright tin plating
- ⑥ Plating method: Blank-Stamping before plating
- ⑦ Mold No./Mark/Special No. :



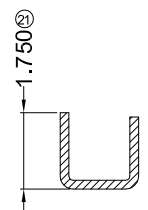
SECTION A-A
SCALE 1:1



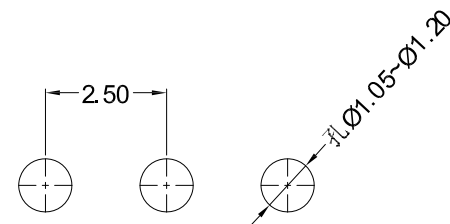
SECTION B-B
SCALE 1:1



SECTION C-C
SCALE 1:1



SECTION D-D
SCALE 1:1



Recommended P.C.B Layout
General Tolerance ±0.05 T=1.60mm

| GENERAL TOLERANCE | |
|-------------------|-------|
| .X | ±0.30 |
| .XX | ±0.20 |
| .XXX | ±0.10 |
| X.° | ±2° |
| PROJECT | |



东莞市国亚电子有限公司
Dong Guan Guo Ya Connectors co., Ltd.

| | | | | |
|------------------------------|-------|-------|-----|--------|
| PART NO. | | | | |
| A2507TR-XSN | | | | |
| TITLE | | | | |
| 2.50mm Crimp Style Connector | | | | |
| UNIT | SCALE | SHEET | REV | NUMBER |
| mm | 1:1 | 1/1 | A0 | A-022 |

| | | | | | |
|------|-----|--------|-------------|--------|----------|
| DATE | REV | ECN NO | DESCRIPTION | MODIFY | APPROVAL |
| 1 | | 2 | 3 | 4 | 5 |

| | | | |
|--------------|-----------|-------------|------------|
| APPROVAL | CHECK | DRAWN | DATE |
| Yangzhengguo | Yangjinyi | Lvtiansheng | 2016/08/26 |

RoHS

- Specifications :
- Voltage rating: 250V AC / DC
 - Current rating: 3A AC / DC
 - Withstanding voltage: 800V AC/minute
 - Temperature range: -25°C~+ 85°C
 - Insulation resistance: ≥1000MΩ
- Wire Size: AWG#22~24(0.35~0.22mm²)
 - Insulation O.D.: 1.60mm (Max)
 - Used In SWB Housing: A2507HV

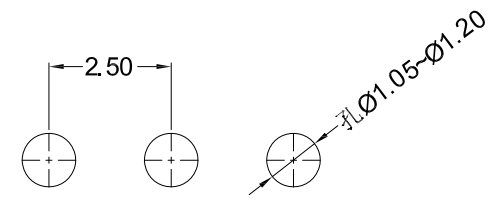
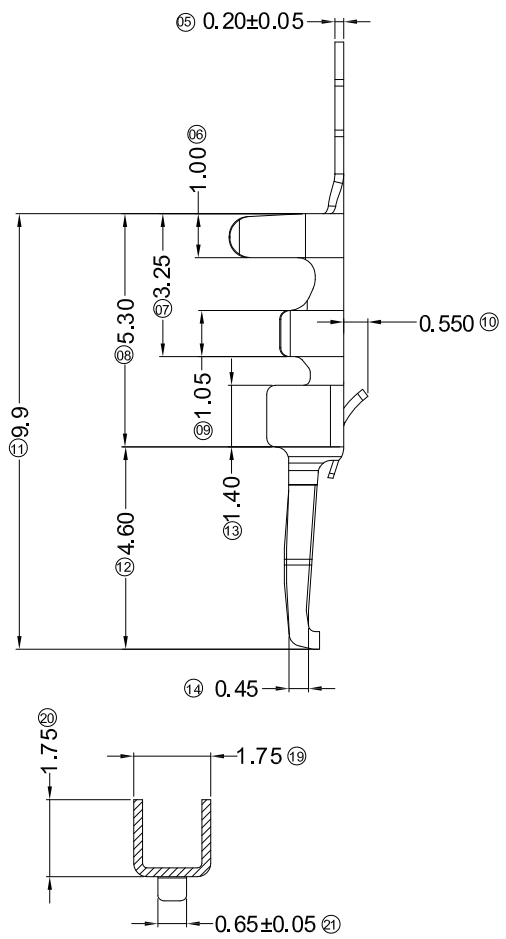
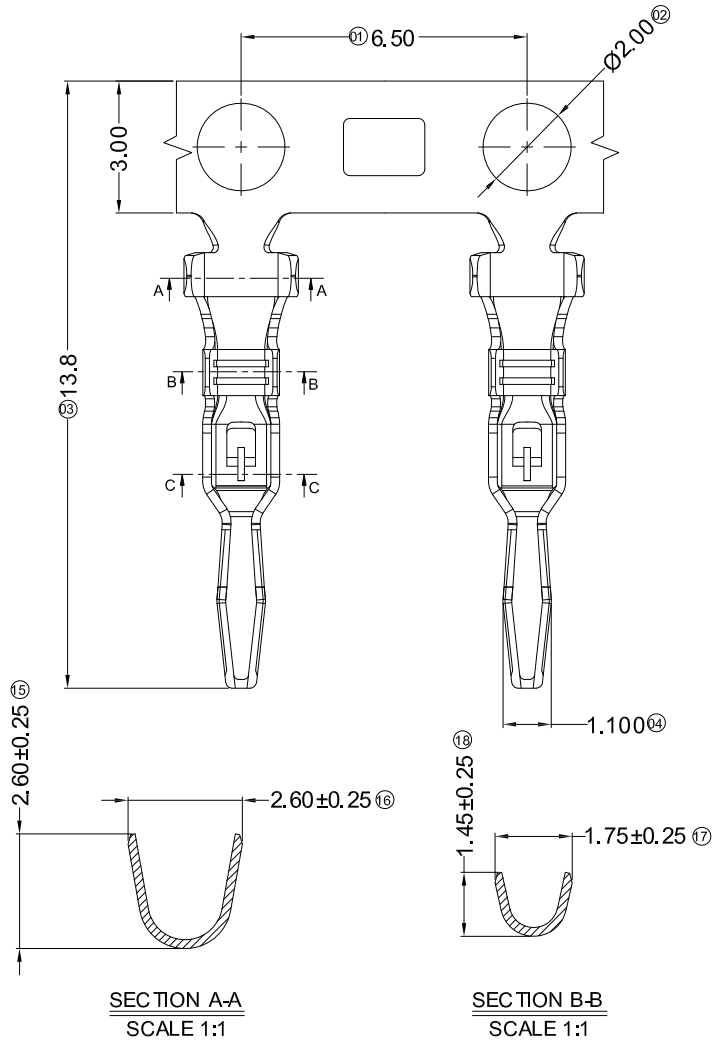


A2507 T V-X SN X - X

- ① Series Number
 ② Category: T-terminal
 ③ Shape: V-Straight 180°
 ④ Material: B-Brass ; P-Phosphor bronze
 ⑤ Plating style: SN-Bright tin plating
 ⑥ Plating method: Blank-Stamping before plating
 ⑦ Mold No. Mark/Special No. :

F
E
D
C
B
A

F
E
D
C
B
A



Recommended P.C.B Layout
 General Tolerance ±0.05 T=1.60mm

| GENERAL TOLERANCE | |
|-------------------|-------|
| .X | ±0.30 |
| .XX | ±0.20 |
| .XXX | ±0.10 |
| X.° | ±2° |
| PROJECT | |

GYA 东莞市国亚电子有限公司
 Connectors Dong Guan Guo Ya Connectors co., Ltd.

| | | | | |
|------------------------------|-------|-------|-----|--------|
| PART NO. | | | | |
| A2507TV-XSN | | | | |
| TITLE | | | | |
| 2.50mm Crimp Style Connector | | | | |
| UNIT | SCALE | SHEET | REV | NUMBER |
| mm | 1:1 | 1/1 | A0 | A-022 |

| | | | | | |
|------|-----|--------|-------------|--------|----------|
| DATE | REV | ECN NO | DESCRIPTION | MODIFY | APPROVAL |
| | | | | | |

| | | | |
|--------------|-----------|-------------|------------|
| APPROVAL | CHECK | DRAWN | DATE |
| Yangzhengguo | Yangjinyi | Lvtiansheng | 2016/08/26 |

1 2 3 4 5 6 7 8