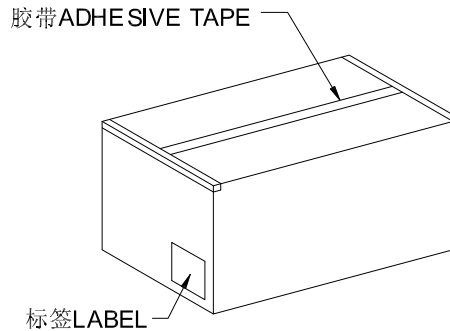
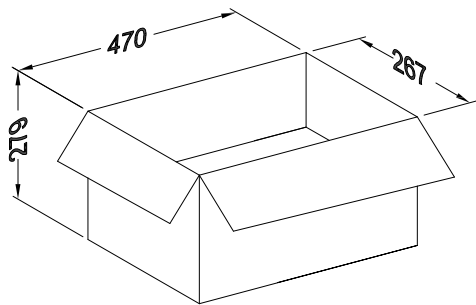
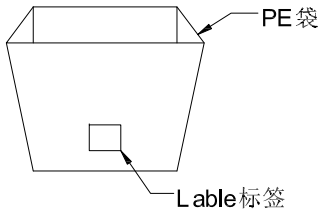
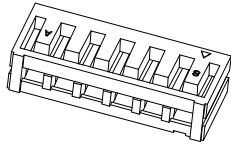


RoHS 包装图



Note注解:

- Put Housing in a PE bag, PE bag gauge for: 2\*1(13\*17) 2\*3(18.5\*20.5) 2\*4(20.5\*26) 2\*5(22.5\*30.5) SATA(31\*34), Packing detail see the table below  
将 Housing放入PE袋内, PE袋规为:胶袋规格:2\*1(13\*17) 2\*3(18.5\*20.5) 2\*4(20.5\*26) 2\*5(22.5\*30.5) SATA(31\*34)详细包装见下表
- Put PE bag packed products in specifications of 470\*267\*279 mm cartons, Packing detail see the table below  
将装好产品的PE袋放入规格为470\*267\*279mm的纸箱内, 详细包装见下表
- Label depends on customer request, carton opening joint with transparent tape  
标签依客户要求而定, 纸箱开口处用透明胶带贴合。
- Carton material 纸箱材质:K=K; Carton Thickness 纸箱厚度: 6~7mm



Pin位	袋/PCS	箱/袋	箱/PCS
02	1000	100	100k
03	1000	80	80k
04	1000	70	70k
05	1000	60	60k
06	1000	50	50k
07	1000	40	40K
08	1000	35	35k
09	1000	30	30k
10	1000	30	30k
11	1000	30	30k
12	1000	25	25k
13	1000	25	25k
14	1000	25	25k
15	1000	20	20k
16	1000	20	20k

GENERAL TOLERANCE	
.X	±0.30
.XX	±0.20
.XXX	±0.10
X <sup>o</sup>	±0.2°

**GYA** 东莞市国亚电子有限公司  
Connectors Dong Guan Guo Ya Connectors co., Ltd.

PART NO. A2507HR-XX-N0  
A2507HV-XX-N0

TITLE:  
2.50mm Housing Packing

APPROVAL	CHECK	DRAWN	DATE
Yangzhengguo	Yangjinyi	Lvtiansheng	2016/08/26

UNIT	SCALE	SHEET	REV	NUMBER
mm	1:1	1/1	A0	A-022

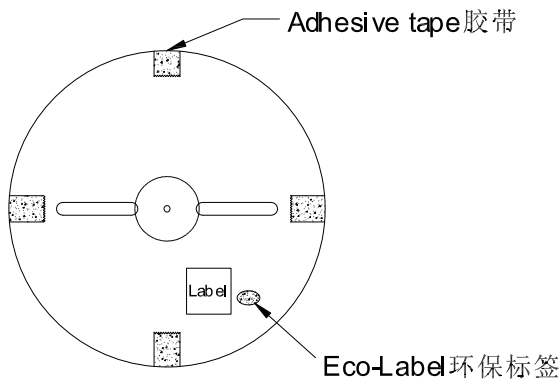
DATE	REV	ECN NO.	DESCRIPTION	MODIFY	APPROVAL
1					
2					
3					
4					

1 | 2 | 3 | 4 | 5 | 6 | 7 | 8

RoHS

包装图

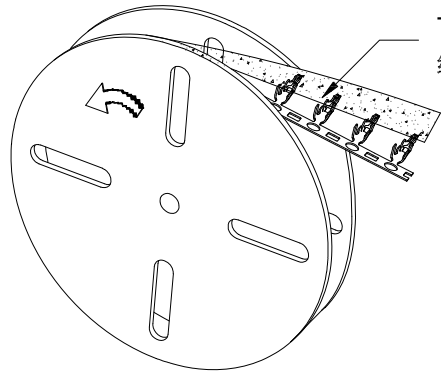
F  
E  
D  
C  
B  
A



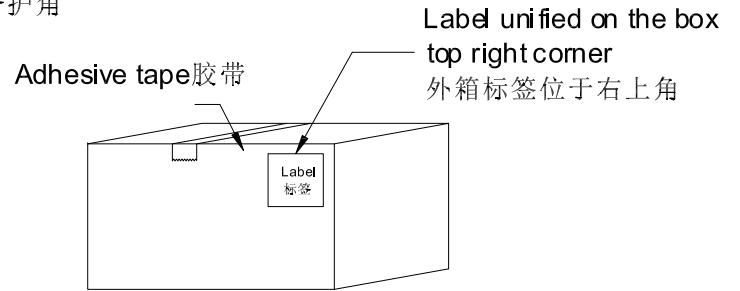
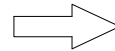
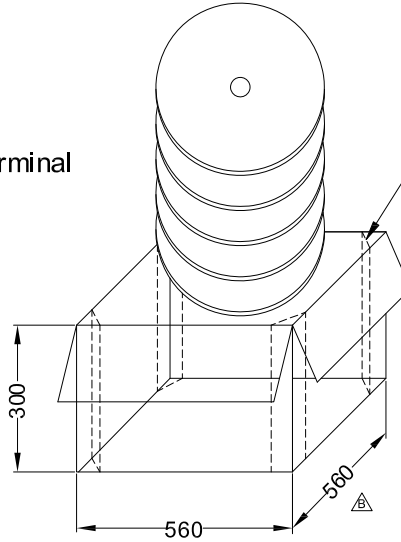
Note 注解:

- Quantity 数量:  
10K PCS/REEL 一卷10K/PCS  
△ 10 REEL/BOX 一箱8卷  
△ 100K PCS/BOX 一箱80K/PCS
- Each reel and outer box must be labeled and Eco-Label Respectively labeled  
每盘和外箱都必须有标签及环保标签分别标示
- Terminal winding direction as shown  
端子缠绕方向如左图所示
- There shall be no dirt such as deformation phenomenon, Mantissa box fillers must be used  
每箱不可有脏污, 变形现象, 尾数箱必须用填充物
- Carton material: K=K, Carton thickness: 6~7mm  
纸箱材质:K=K, 纸箱厚度:6~7mm

F  
E  
D  
C  
B  
A



卷装方式  
Package way



A

A

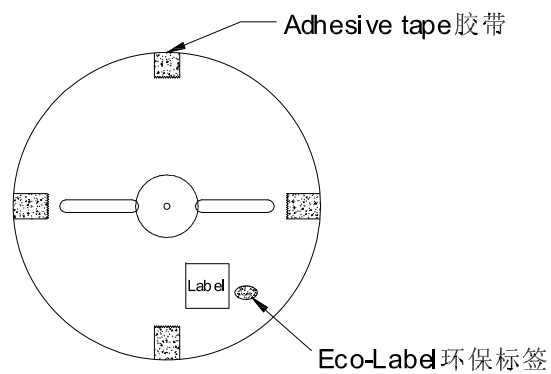
					<b>GENERAL TOLERANCE</b> .X ±0.30 .XX ±0.20 .XXX ±0.10 X° ±0.2° 视角		<b>GYA</b> 东莞市国亚电子有限公司 Connectors Dong Guan Guo Ya Connectors co., Ltd.		PART NO. A2507TV-XSN	
					APPROVAL Yangzhengguo		CHECK Yangjinyi		DRAWN Lvtiensheng	
					DATE 2016/08/26		TITLE: 2.50mm Terminal Packing		UNIT mm	
DATE	REV	ECN NO.	DESCRIPTION	MODIFY	APPROVAL				SCALE	1:1
1									SHEET	1/1
									REV	A0
									NUMBER	A-022

1 2 3 4 5 6 7 8

RoHS

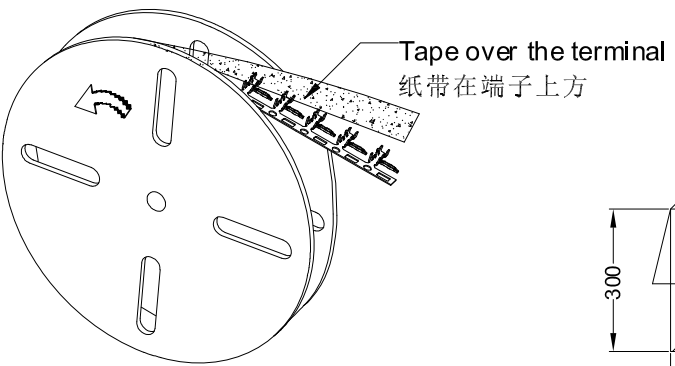
包装图

F  
E  
D  
C  
B  
A

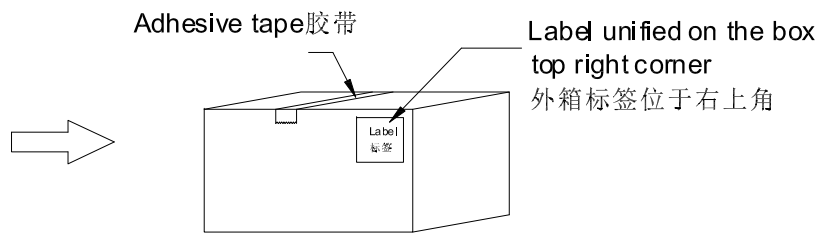
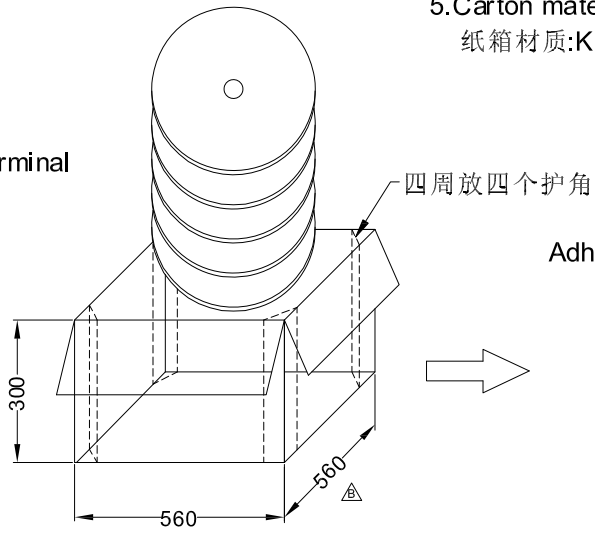


Note注解:

- Quantity数量:  
10K PCS/REEL 一卷10K/PCS  
△ 10 REEL/BOX 一箱10卷  
△ 100K PCS/BOX 一箱100K/PCS
- Each reel and outer box must be labeled and Eco-Label Respectively labeled  
每盘和外箱都必须有标签及环保标签分别标示
- Terminal winding direction as shown  
端子缠绕方向如左图所示
- There shall be no dirt such as deformation phenomenon, Mantissa box fillers must be used  
每箱不可有脏污, 变形现象, 尾数箱必须用填充物
- Carton material: K=K, Carton thickness: 6±1mm  
纸箱材质:K=K, 纸箱厚度:6±1mm



卷装方式  
Package way



F  
E  
D  
C  
B  
A

DATE	REV	ECN NO.	DESCRIPTION	MODIFY	APPROVAL
1					
2					
3					
4					

GENERAL TOLERANCE	
.X	±0.30
.XX	±0.20
.XXX	±0.10
X.°	±0.2°

	东莞市国亚电子有限公司 Dong Guan Guo Ya Connectors co., Ltd.			
	APPROVAL	CHECK	DRAWN	DATE
	Yangzhengguo	Yangjinyi	Lvtiansheng	2016/08/26

PART NO. A2507TR-XSN				
TITLE: 2.50mm Terminal Packing				
UNIT	SCALE	SHEET	REV	NUMBER
mm	1:1	1/1	A0	A-022

1 | 2 | 3 | 4 | 5 | 6 | 7 | 8