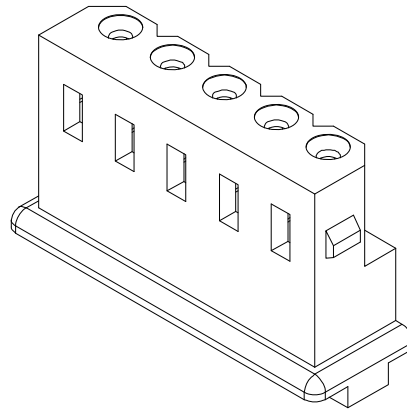
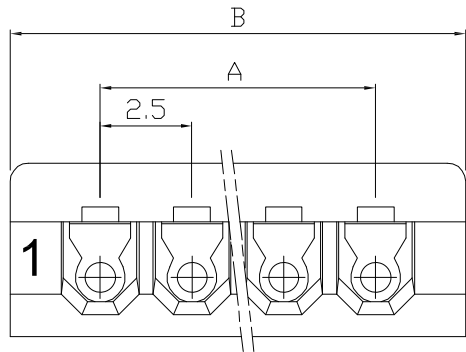
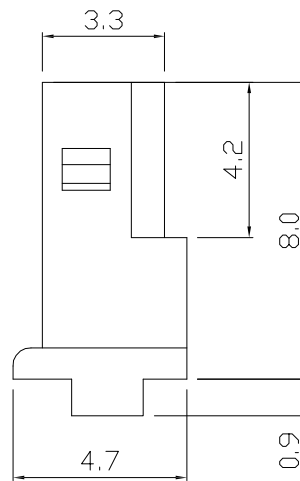
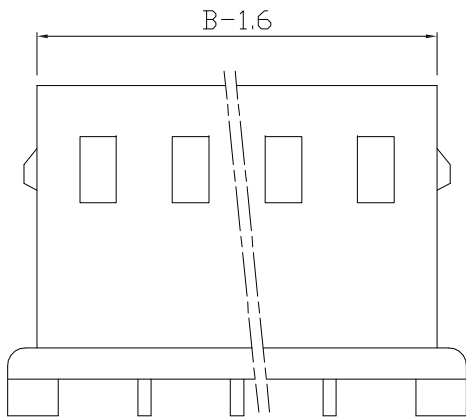


RoHS

主要技术参数  
Main Specifications

线数 (poles): 2 to 16P  
 额定电流 (Current rating): 3.0A AC, DC  
 额定电压 (Voltage rating): 250V AC, DC  
 温度范围 (Temperature range): -25°C to +85°C  
 接触电阻 (Contact resistance): ≤20mΩ  
 绝缘电阻 (Insulation resistance): ≥1000MΩ  
 耐电压 (Withstand voltage): 1000V AC/minute  
 适用线规 (Applicable wire): AWG #28 to #22  
 适用基板厚度 (Applicable PC board thickness): 1.6mm



Poles	Part No.	Dimensions mm	
		A	B
2	A2503H-02	2.50	7.4
3	A2503H-03	5.00	9.9
4	A2503H-04	7.50	12.4
5	A2503H-05	10.00	14.9
6	A2503H-06	12.50	17.4
7	A2503H-07	15.00	19.9
8	A2503H-08	17.50	22.4
9	A2503H-09	20.00	24.9
10	A2503H-10	22.50	27.4
11	A2503H-11	25.00	29.9
12	A2503H-12	27.50	32.4
13	A2503H-13	30.00	34.9
14	A2503H-14	32.50	37.4
15	A2503H-15	35.00	39.9
16	A2503H-16	37.50	42.4

1		Housing 胶壳	PA66 (UL94V-0)	1	White 白色
序号	图号	名称	材料	数量	附注

DATE	REV	ECN NO	DESCRIPTION	MODIFY	APPROVAL
1					
2					
3					
4					

GENERAL TOLERANCE
.X ±0.30
.XX ±0.20
.XXX ±0.10
X.° ±2°
PROJECT

**GYA** 东莞市国亚电子有限公司  
 Connectors Dong Guan Guo Ya Connectors co., Ltd.

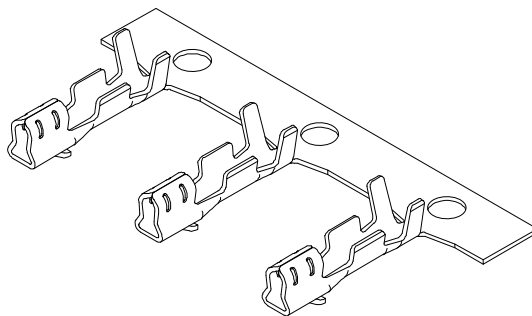
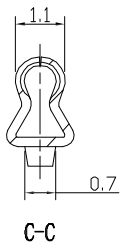
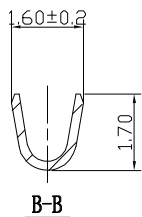
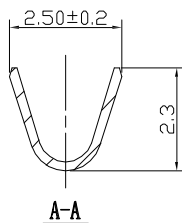
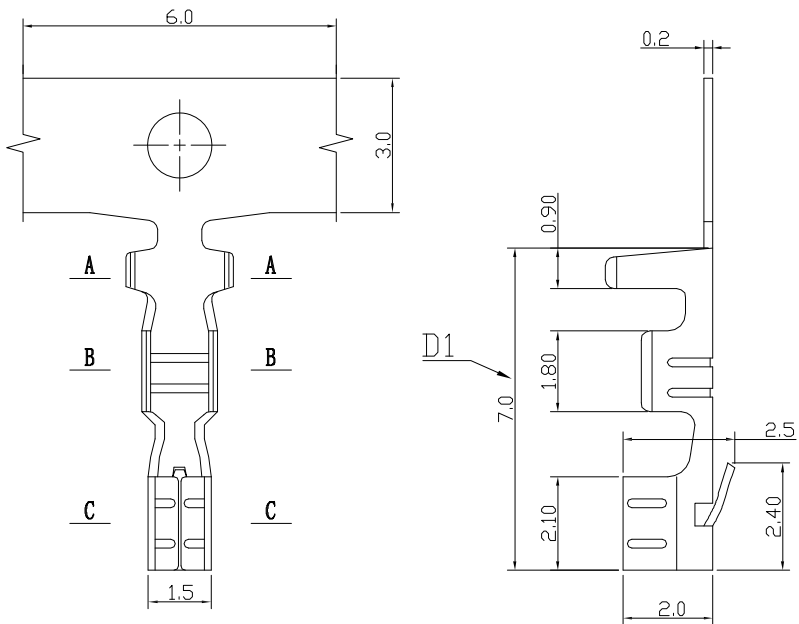
APPROVAL	CHECK	DRAWN	DATE
Yangzhengguo	Yangjinyi	Lvtiansheng	2016/08/26

PART NO. A2503H-XXX				
TITLE 2.50mm Crimp Style Connector				
UNIT	SCALE	SHEET	REV	NUMBER
mm	1:1	1/1	A0	A-022

RoHS

主要技术参数  
Main Specifications

线数 (poles): 2 to 16P  
 额定电流 (Current rating): 3.0A AC, DC  
 额定电压 (Voltage rating): 250V AC, DC  
 温度范围 (Temperature range): -25°C to +85°C  
 接触电阻 (Contact resistance):  $\leq 20m\Omega$   
 绝缘电阻 (Insulation resistance):  $\geq 1000M\Omega$   
 耐电压 (Withstand voltage): 1000V AC/minute  
 适用线规 (Applicable wire): AWG #28 to #22  
 适用基板厚度 (Applicable PC board thickness): 1.6mm



1	A2503T-P2	Phos Bronze tin 磷青铜镀锡	11 000PCS/Rol I (1盘)
序号		材料	附注

GENERAL TOLERANCE	
.X	±0.30
.XX	±0.20
.XXX	±0.10
X.°	±2°
PROJECT	



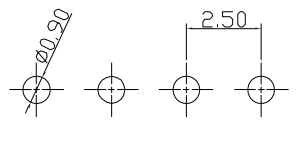
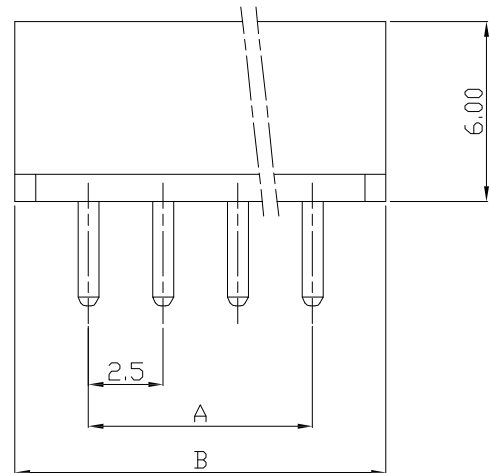
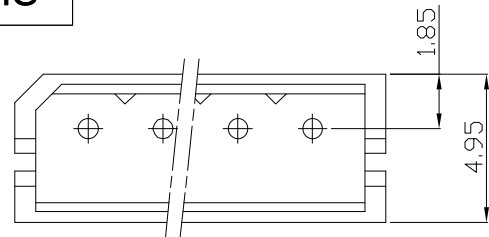
东莞市国亚电子有限公司  
Dong Guan Guo Ya Connectors co., Ltd.

APPROVAL	CHECK	DRAWN	DATE
Yangzhengguo	Yangjinyi	Lvtiansheng	2016/08/26

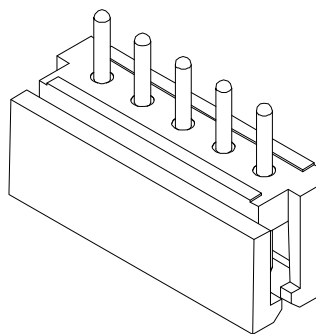
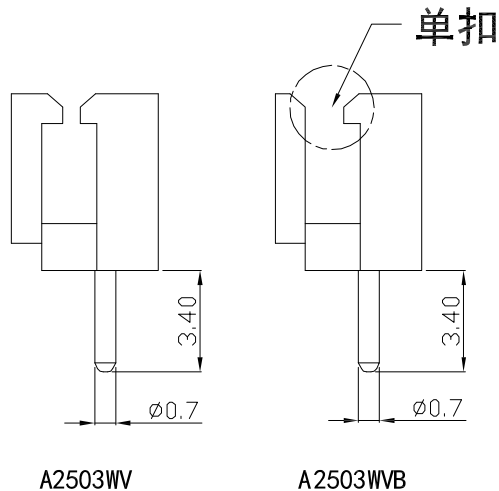
PART NO. A2503T-XXX				
TITLE 2.50mm Crimp Style Connector				
UNIT	SCALE	SHEET	REV	NUMBER
mm	1:1	1/1	A0	A-022

DATE	REV	ECN NO	DESCRIPTION	MODIFY	APPROVAL
1					

RoHS



P. C. B LAYOUT



主要技术参数  
Main Specifications

线数 (poles): 2 to 16P  
 额定电流 (Current rating): 3.0A AC/DC  
 额定电压 (Voltage rating): 250V AC/DC  
 温度范围 (Temperature range): -25°C to +85°C  
 接触电阻 (Contact resistance): ≤20mΩ  
 绝缘电阻 (Insulation resistance): ≥1000MΩ  
 耐电压 (Withstand voltage): 1000V AC/minute

Poles	Part No.	Dimensions mm	
		A	B
2	A2503 WV-02	2.50	7.5
3	A2503 WV-03	5.00	10.0
4	A2503 WV-04	7.50	12.5
5	A2503 WV-05	10.00	15.0
6	A2503 WV-06	12.50	17.5
7	A2503 WV-07	15.00	20.0
8	A2503 WV-08	17.50	22.5
9	A2503 WV-09	20.00	25.0
10	A2503 WV-10	22.50	27.5
11	A2503 WV-11	25.00	30.0
12	A2503 WV-12	27.50	32.5
13	A2503 WV-13	30.00	35.0
14	A2503 WV-14	32.50	37.5
15	A2503 WV-15	35.00	40.0
16	A2503 WV-16	37.50	42.5
2	A2503WVB-02 (单扣)	2.50	7.5
3	A2503WVB-03 (单扣)	5.00	10.0
16	A2503WVB-16 (单扣)	37.50	42.5

2	Wafer 针	Brass Tin 黄铜镀锡	N		
1	Housing 基座	PA66(UL94V-0)	1	White 白色	
序号	图号	名称	材料	数量	附注

GENERAL TOLERANCE

- .X ±0.30
- .XX ±0.20
- .XXX ±0.10
- X.° ±2°

PROJECT



东莞市国亚电子有限公司  
Dong Guan Guo Ya Connectors co., Ltd.

APPROVAL CHECK DRAWN DATE

Yangzhengguo Yangjinyi Lvtiansheng 2016/08/26

PART NO.

A2503WV-XXX

TITLE

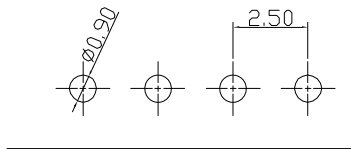
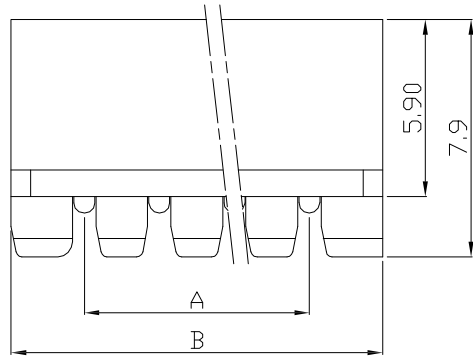
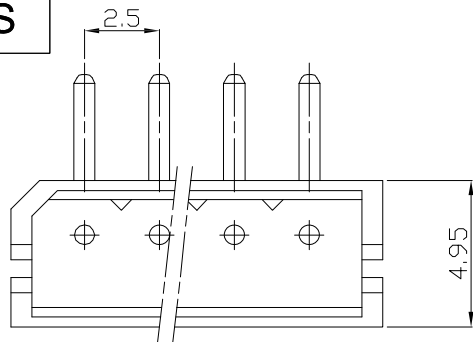
2.50mm Crimp Style Connector

UNIT	SCALE	SHEET	REV	NUMBER
mm	1:1	1/1	A0	A-022

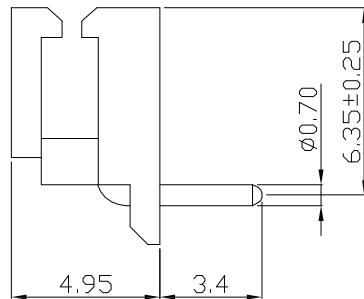
DATE	REV	ECN NO	DESCRIPTION	MODIFY	APPROVAL
------	-----	--------	-------------	--------	----------

1 2 3 4 5 6 7 8

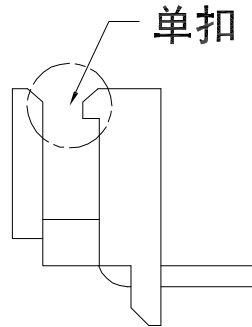
RoHS



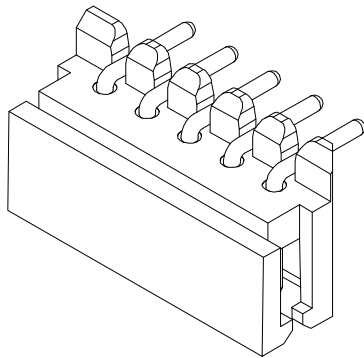
P. C. B LAYOUT



A2503WR



A2503WRB



主要技术参数  
Main Specifications

线数 (poles): 2 to 16P  
 额定电流 (Current rating): 3.0A AC/DC  
 额定电压 (Voltage rating): 250V AC/DC  
 温度范围 (Temperature range): -25°C to +85°C  
 接触电阻 (Contact resistance): ≤20mΩ  
 绝缘电阻 (Insulation resistance): ≥1000MΩ  
 耐电压 (Withstand voltage): 1000V AC/minute

Poles	Part No.	Dimensions mm	
		A	B
2	A2503WR-02	2.50	7.5
3	A2503WR-03	5.00	10.0
4	A2503WR-04	7.50	12.5
5	A2503WR-05	10.00	15.0
6	A2503WR-06	12.50	17.5
7	A2503WR-07	15.00	20.0
8	A2503WR-08	17.50	22.5
9	A2503WR-09	20.00	25.0
10	A2503WR-10	22.50	27.5
11	A2503WR-11	25.00	30.0
12	A2503WR-12	27.50	32.5
13	A2503WR-13	30.00	35.0
14	A2503WR-14	32.50	37.5
15	A2503WR-15	35.00	40.0
16	A2503WR-16	37.50	42.5
2	A2503WRB-02 (单扣)	2.50	7.50
3	A2503WRB-03 (单扣)	5.00	10.00
--	-- -- --	-- --	-- --
16	A2503WRB-16 (单扣)	37.50	42.50

序号	图号	名称	材料	数量	附注
2		Wafer 针	Brass Tin 黄铜镀锡	N	
1		Housing 基座	PA66(UL94V-0)	1	White 白色

DATE	REV	ECN NO	DESCRIPTION	MODIFY	APPROVAL	PROJECT	APPROVAL	CHECK	DRAWN	DATE	UNIT	SCALE	SHEET	REV	NUMBER
1						Connector	Yangzhengguo	Yangjinyi	Lvtiansheng	2016/08/26	mm	1:1	1/1	A0	A-022

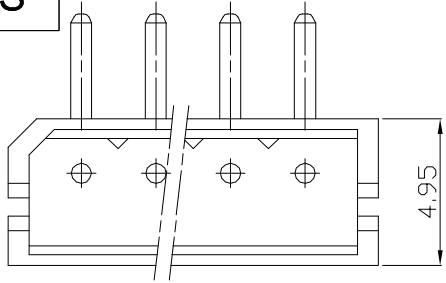


东莞市国亚电子有限公司  
Dong Guan Guo Ya Connectors co., Ltd.

PART NO. A2503WR-XXX

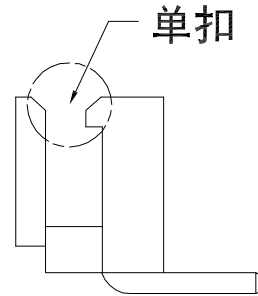
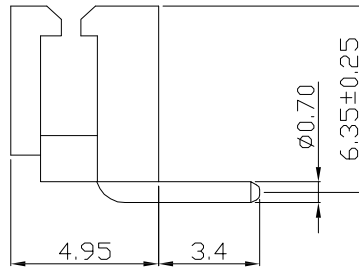
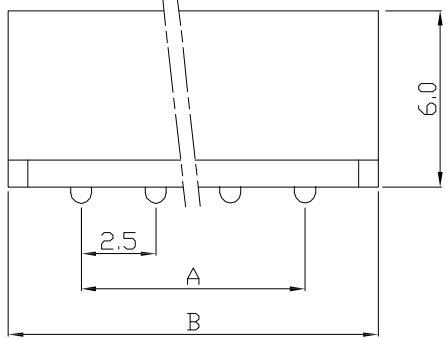
TITLE 2.50mm Crimp Style Connector

RoHS



主要技术参数  
Main Specifications

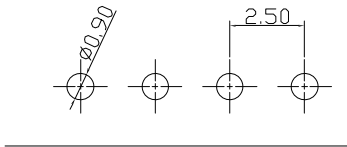
线数 (poles): 2 to 16P  
 额定电流 (Current rating): 3.0A AC/DC  
 额定电压 (Voltage rating): 250V AC/DC  
 温度范围 (Temperature range): -25°C to +85°C  
 接触电阻 (Contact resistance): ≤20mΩ  
 绝缘电阻 (Insulation resistance): ≥1000MΩ  
 耐电压 (Withstand voltage): 1000V AC/minute



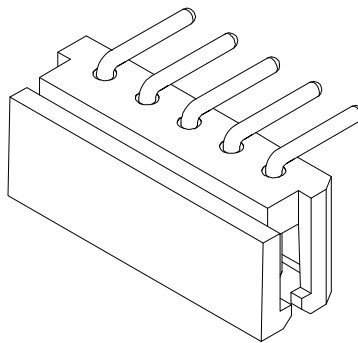
A2503WRC

A2503WRD

Poles	Part No.	Dimensions mm	
		A	B
2	A2503WRC-02	2.50	7.5
3	A2503WRC-03	5.00	10.0
4	A2503WRC-04	7.50	12.5
5	A2503WRC-05	10.00	15.0
6	A2503WRC-06	12.50	17.5
7	A2503WRC-07	15.00	20.0
8	A2503WRC-08	17.50	22.5
9	A2503WRC-09	20.00	25.0
10	A2503WRC-10	22.50	27.5
11	A2503WRC-11	25.00	30.0
12	A2503WRC-12	27.50	32.5
13	A2503WRC-13	30.00	35.0
14	A2503WRC-14	32.50	37.5
15	A2503WRC-15	35.00	40.0
16	A2503WRC-16	37.50	42.5
2	A2503WRD-02 (单扣)	2.50	7.50
3	A2503WRD-03 (单扣)	5.00	10.00
16	A2503WRD-16 (单扣)	37.50	42.50



P. C. B LAYOUT



序号	图号	名称	材料	数量	附注
2		Wafer 针	Brass Tin 黄铜镀锡	N	
1		Housing 基座	PA66(UL94V-0)	1	White 白色

GENERAL TOLERANCE	
.X	±0.30
.XX	±0.20
.XXX	±0.10
X.°	±2°
PROJECT	

**GYA** 东莞市国亚电子有限公司  
Connectors Dong Guan Guo Ya Connectors co., Ltd.

PART NO.				
A2503WRC-XXX				
TITLE				
2.50mm Crimp Style Connector				
UNIT	SCALE	SHEET	REV	NUMBER
mm	1:1	1/1	A0	A-022

DATE	REV	ECN NO	DESCRIPTION	MODIFY	APPROVAL
1					
2					

APPROVAL	CHECK	DRAWN	DATE
Yangzhengguo	Yangjinyi	Lvtiansheng	2016/08/26