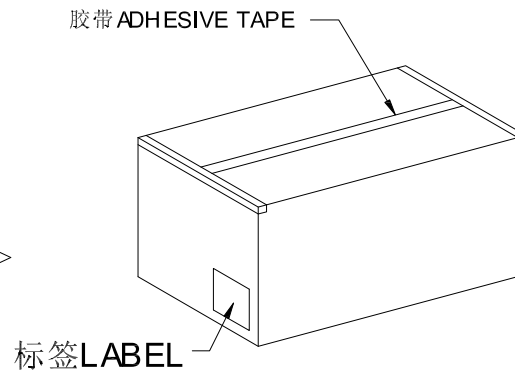
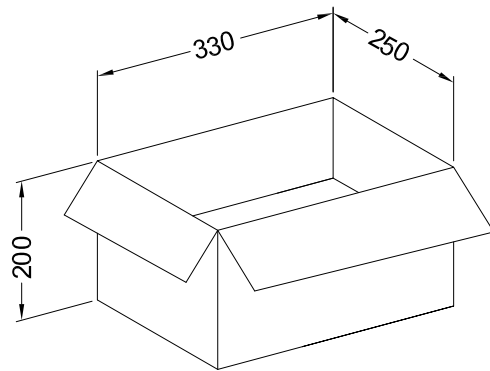
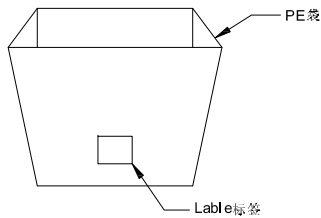
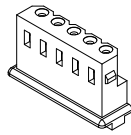


RoHS

包装图



Note注解:

1. Put Housing in a PE bag, PE bag gauge for: 130 * 135 * 0.10 mm, Packing detail see the table below

将 Housing放入PE袋内, PE袋规为:130*135*0.10mm,详细包装见下表

2. Put PE bag packed products in specifications of 330 * 250 * 300 mm cartons, Packing detail see the table below

将装好产品的PE袋放入规格为330*250*200mm的纸箱内, 详细包装见下表

3. Label depends on customer request, carton opening joint with transparent tape
标签依客户要求而定, 纸箱开口处用透明胶带贴合.

4. Carton material 纸箱材质:K=K; Carton Thickness 纸箱厚度: 6~7mm



Poles	Bag PCS	CARTON Bag	CARTON PCS
02	1000	75	75K
03	1000	75	75K
04	1000	75	75K
05	1000	75	75K
06	1000	75	75K
07	1000	75	75K
08	1000	75	75K
09	1000	75	75K
10	1000	75	75K
11	1000	75	75K
12	1000	75	75K
13	1000	75	75K
14	1000	75	75K
15	1000	75	75K

GENERAL TOLERANCE

.X ±0.30

.XX ±0.20

.XXX ±0.10

X.° ±0.2°

视 角

⊕ ⊖



东莞市国亚电子有限公司
Dong Guan Guo Ya Connectors co., Ltd.

APPROVAL

CHECK

DRAWN

DATE

Yangzhengguo

Yangjinyi

Lvtiansheng

2016/08/26

PART NO.

A2503H-XXX

TITLE:

2.50mm Housing Packing

UNIT

SCALE

SHEET

REV

NUMBER

mm

1:1

1/1

A0

A-022

DATE

REV

ECN NO.

DESCRIPTION

MODIFY

APPROVAL

1

2

3

4

5

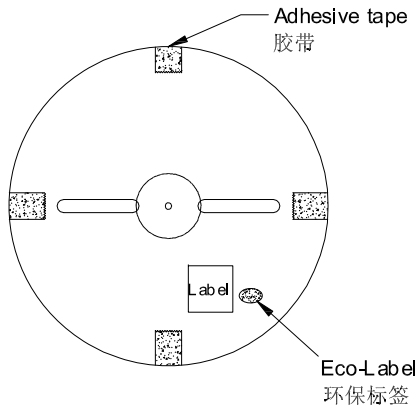
6

7

8

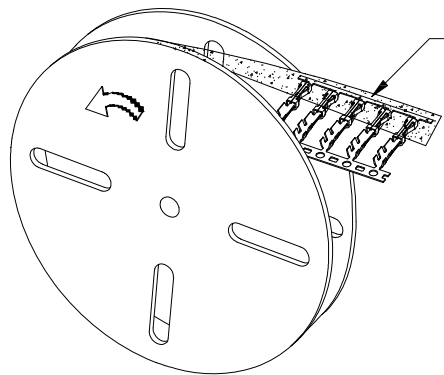
RoHS

包装图

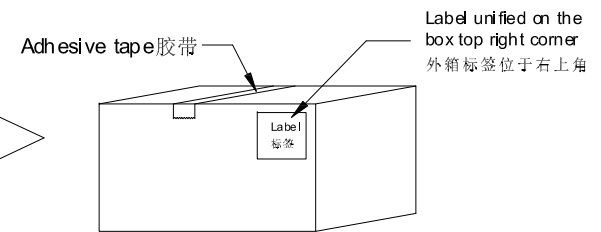
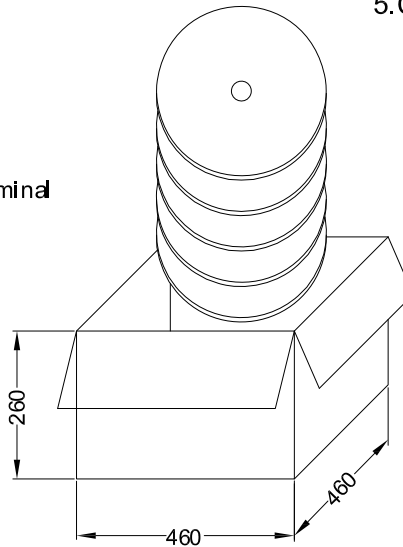


Note注解:

- Quantity数量:
15K PCS/REEL 一卷15K/PCS
10REEL/BOX 一箱10卷
150K PCS/BOX 一箱150K/PCS
- Each reel and outer box must be labeled and Eco-Label Respectively labeled
每盘和外箱都必须有标签及环保标签分别标示
- Terminal winding direction as shown
端子缠绕方向如左图所示
- There shall be no dirt such as deformation phenomenon, Mantissa box fillers must be used
每箱不可有脏污, 变形现象, 尾数箱必须用填充物
- Carton material: K=K, Carton thickness: 6~7mm
纸箱材质:K=K, 纸箱厚度:6~7mm



Tape over the terminal
纸带在端子上方



卷装方式
Package way

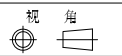
GENERAL TOLERANCE

.X ±0.30

.XX ±0.20

.XXX ±0.10

X° ±0.2°



GYA
Connectors

东莞市国亚电子有限公司
Dong Guan Guo Ya Connectors co., Ltd.

PART NO.

A2503T-XXX

TITLE:

2.50mm Housing Packing

APPROVAL

CHECK

DRAWN

DATE

Yangzhengguo

Yangjinyi

Lvtiansheng

2016/08/26

UNIT	SCALE	SHEET	REV	NUMBER
mm	1:1	1/1	A0	A-022

DATE

1

REV

2

ECN NO.

3

DESCRIPTION

MODIFY

4

APPROVAL

5

GENERAL TOLERANCE
.X ±0.30
.XX ±0.20
.XXX ±0.10
X° ±0.2°
视检

GYA
Connectors

东莞市国亚电子有限公司
Dong Guan Guo Ya Connectors co., Ltd.

PART NO.

A2503T-XXX

TITLE:

2.50mm Housing Packing

APPROVAL

CHECK

DRAWN

DATE

Yangzhengguo

Yangjinyi

Lvtiansheng

2016/08/26

UNIT	SCALE	SHEET	REV	NUMBER
mm	1:1	1/1	A0	A-022

1

2

3

4

5

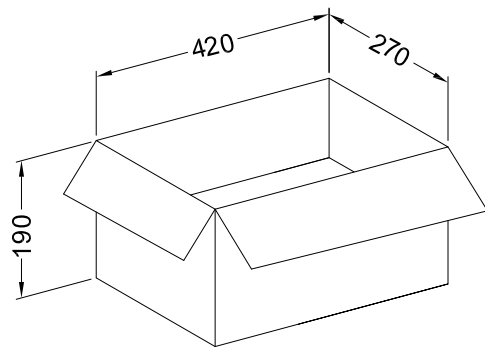
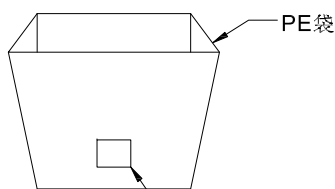
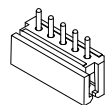
6

7

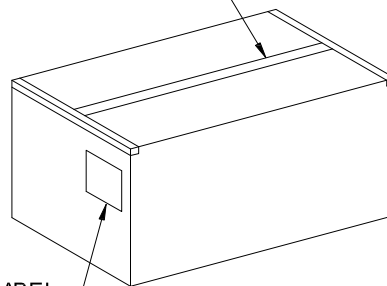
8

RoHS

包装图



胶带 ADHESIVE TAPE



Note注解:

- Put Wafer in a PE bag, Packing detail see the table below
将Wafer放入PE袋内，详细包装见下表
- Put PE bag packed products in specifications of 420 * 270 * 190 mm cartons,
Packing detail see the table below
将装好产品的PE袋放入规格为420*270*190mm的纸箱内，详细包装见下表
- Label depends on customer request, carton opening joint with transparent tape
标签依客户要求而定，纸箱开口处用透明胶带贴合.
- Carton material: K=K; Carton Thickness:6~7mm
纸箱材质:K=K, 纸箱厚度: 6~7mm



Poles	Bag PCS	CARTON Bag	CARTON PCS
02	1000	15	15K
03			
04			
05		10	16K
06	500	6	7K
07			
08			6K
09		10	5K
10	250		
11			
12			
13		3	1.5K
14			
15			

GENERAL TOLERANCE

.X	±0.30
.XX	±0.20
.XXX	±0.10
X.°	±0.2°



GYA
Connectors

东莞市国亚电子有限公司
Dong Guan Guo Ya Connectors co., Ltd.

PART NO.

A2503WV-XXX

TITLE:

2.50mm WAFER Packing

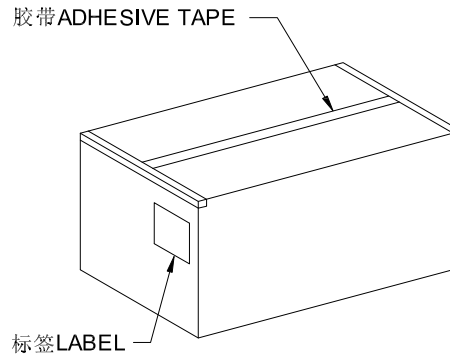
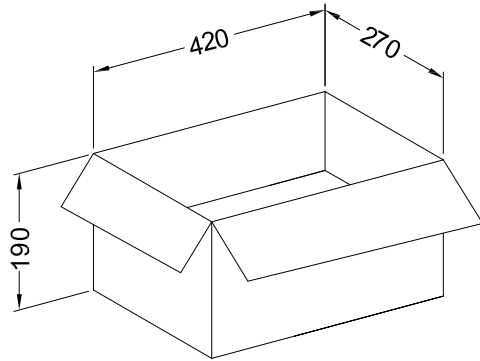
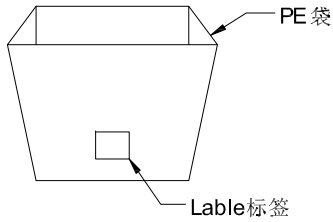
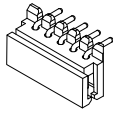
APPROVAL	CHECK	DRAWN	DATE
Yangzhengguo	Yangjinyi	Lvtiansheng	2016/08/26

UNIT	SCALE	SHEET	REV	NUMBER
mm	1:1	1/1	A0	A-022

DATE	REV	ECN NO.	DESCRIPTION	MODIFY	APPROVAL
1					

RoHS

包装图



Note注解:

- Put Wafer in a PE bag, Packing detail see the table below
将Wafer放入PE袋内, 详细包装见下表
- Put PE bag packed products in specifications of 420 * 270 * 190 mm cartons,
Packing detail see the table below
将装好产品的PE袋放入规格为420*270*190mm的纸箱内, 详细包装见下表
- Label depends on customer request, carton opening joint with transparent tape
标签依客户要求而定, 纸箱开口处用透明胶带贴合.
- Carton material: K=K; Carton Thickness: 6~7mm
纸箱材质: K=K, 纸箱厚度: 6~7mm



Poles	Bag PCS	CARTON Bag	CARTON PCS
02	1000	20	20K
03		12	12K
04		16	16K
05		16	8K
06	500	14	7K
07		12	6K
08		6	1.5K
09			
10			
11	250	6	1.5K
12			
13			
14			
15			

GENERAL TOLERANCE

.X ±0.30

.XX ±0.20

.XXX ±0.10

X° ±0.2°

视角



东莞市国亚电子有限公司
Dong Guan Guo Ya Connectors co., Ltd.

PART NO.

A2503WR-XXX

TITLE:

2.50mm WAFER Packing

APPROVAL

CHECK

DRAWN

DATE

Yangzhengguo

Yangjinyi

Lvtiansheng

2016/08/26

UNIT

SCALE

SHEET

REV

NUMBER

mm

1:1

1/1

A0

A-022

DATE

REV

ECN NO.

DESCRIPTION

MODIFY

APPROVAL

1

2

3

4

5

6

7

8