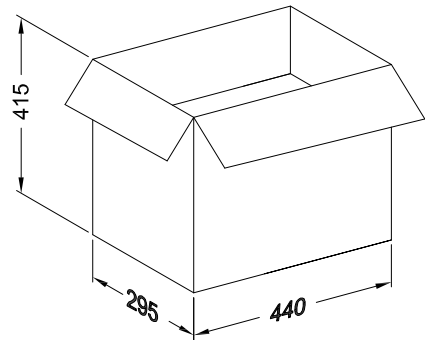
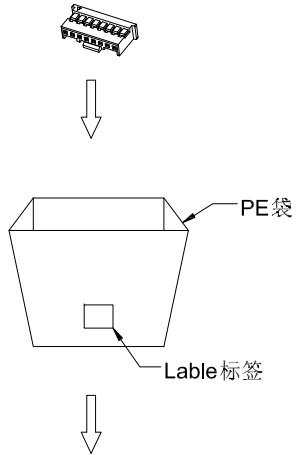


RoHS

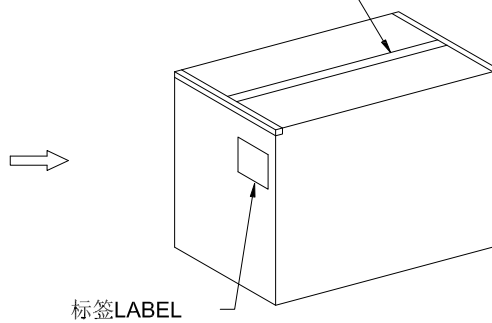
包装图

Note注解:

1. Place Housing into PE bag and seal PE bag. Label.
将 Housing放入PE袋内, 并将PE袋封好, 贴上标签.
2. Put PE bag packed products in cartons, Packing detail see the table below
将装好产品的PE袋放入纸箱内, 详细包装见下表
3. Label depends on customer request, carton opening joint with transparent tape
标签依客户要求而定, 纸箱开口处用透明胶带贴合.
4. There shall be no dirt such as deformation phenomenon, Mantissa box fillers must be used
每箱不可有脏污, 变形现象, 尾数箱必须用填充物
5. Carton material: K=K, Carton thickness: 6±1mm
纸箱材质:K=K, 纸箱厚度:6~7mm



胶带ADHESIVE TAPE



Poles	Bag PCS	Box PCS
02	1000	150K
03	1000	100K
04	1000	80K
05	1000	70K
06	1000	60K
07	1000	50K
08	1000	40K
09	1000	35K
10	1000	35K
11	1000	30K
12	1000	26K
13	1000	26K
14	1000	15K
15	1000	10K

GENERAL TOLERANCE

.X ±0.30

.XX ±0.20

.XXX ±0.10

X° ±0.2°

视图



东莞市国亚电子有限公司
Dong Guan Guo Ya Connectors co., Ltd.

PART NO.

A2015H-XX-N0

TITLE:

2.00mm Housing Packing

APPROVAL

CHECK

DRAWN

DATE

Yangzhengguo

Yangzhengyi

Lvtiansheng

2016/08/26

UNIT	SCALE	SHEET	REV	NUMBER
mm	1:1	1/1	A0	A-022

DATE

REV

ECN NO.

DESCRIPTION

MODIFY

APPROVAL

1

2

3

4

5

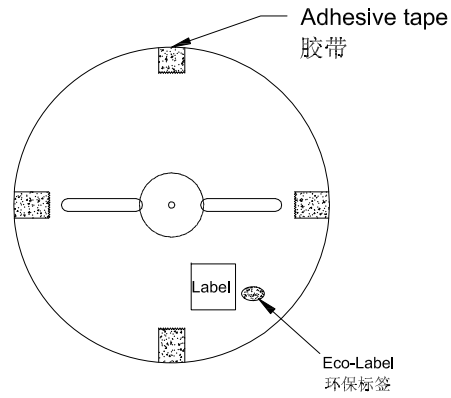
6

7

8

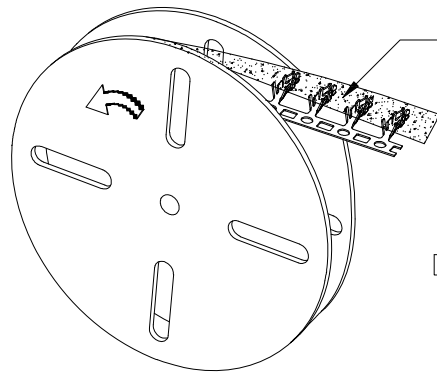
RoHS

包装图

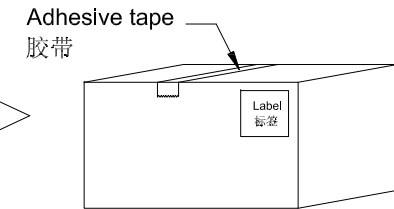
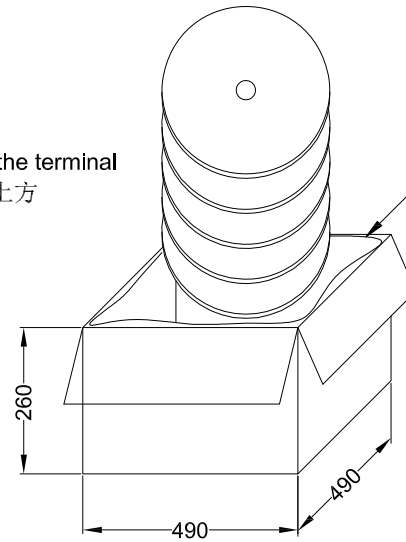


Note注解:

- Quantity 数量:
10K PCS/REEL 一卷10K/PCS
10 REEL/BOX 一箱10卷
100K PCS/BOX 一箱100K/PCS
- Each reel and outer box must be labeled and Eco-Label Respectively labeled
每盘和外箱都必须有标签及环保标签分别标示
- Terminal winding direction as shown
端子缠绕方向如左图所示
- There shall be no dirt such as deformation phenomenon, Mantissa box fillers must be used
每箱不可有脏污,变形现象,尾数箱必须用填充物
- Carton material: K=K, Carton thickness: 6±1mm
纸箱材质:K=K, 纸箱厚度:6±1mm
- Paper tape should be white
纸带需用白色
- One waterproof bag and two bags of desiccant 10g should be put in each box.
每箱里面要放一个防水袋和两包干燥剂10g
- Storage conditions: Temperature 10~30 °C; Humidity 20%~65%RH
存储条件: 温度10~30 °C; 湿度20%~65%RH



卷装方式
Package way



GENERAL TOLERANCE

.X	±0.35
.XX	±0.25
.XXX	±0.15
X.°	±0.2°



东莞市国亚电子有限公司
Dong Guan Guo Ya Connectors co., Ltd.

PART NO.

A2015TH-HSN

TITLE:

2.00mm Terminal Packing

APPROVAL CHECK DRAWN DATE

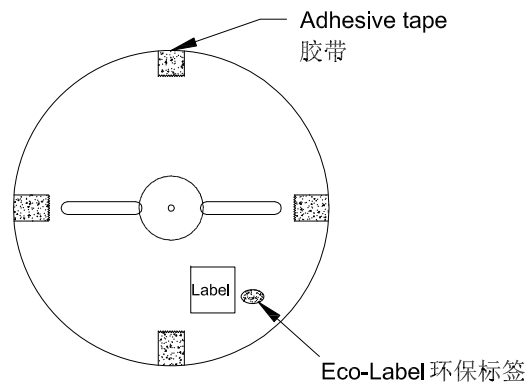
Yangzhengguo Yangzhengyi LvTiansheng 2016/08/26

UNIT	SCALE	SHEET	REV	NUMBER
mm	1:1	1/1	A0	A-014

DATE	REV	ECN NO.	DESCRIPTION	MODIFY	APPROVAL
1					

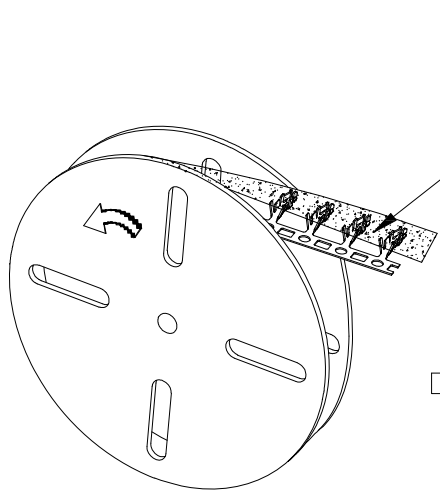
RoHS

包装图

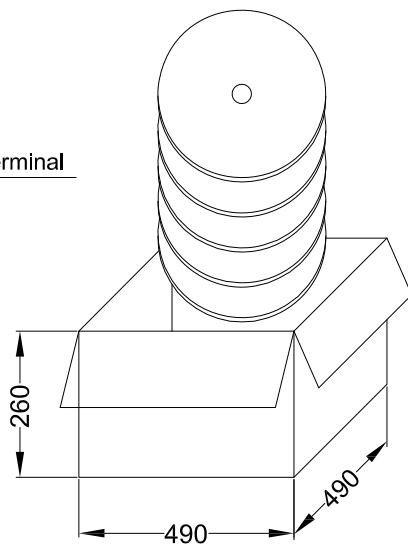


Note 注解:

- Quantity 数量:
10K PCS/REEL 一卷10K/PCS
10 REEL/BOX 一箱10卷
100K PCS/BOX 一箱100K/PCS
- Each reel and outer box must be labeled and Eco-Label Respectively labeled
每盘和外箱都必须有标签及环保标签分别标示
- Terminal winding direction as shown
端子缠绕方向如左图所示
- There shall be no dirt such as deformation phenomenon, Mantissa box fillers must be used
每箱不可有脏污, 变形现象, 尾数箱必须用填充物
- Carton material: K=K, Carton thickness: 6±1mm
纸箱材质:K=K, 纸箱厚度:6~7mm

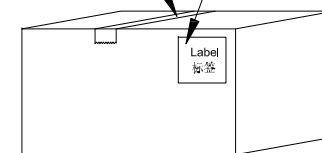


Tape over the terminal
纸带在端子下方



Label unified on the box top right corner
外箱标签位于右上角

Adhesive tape 胶带



GENERAL TOLERANCE

.X	±0.30
.XX	±0.20
.XXX	±0.10
X°	±0.2°



东莞市国亚电子有限公司
Dong Guan Guo Ya Connectors co., Ltd.

PART NO.

A2015TX-PXXX

TITLE:

2.00mm Terminal Packing

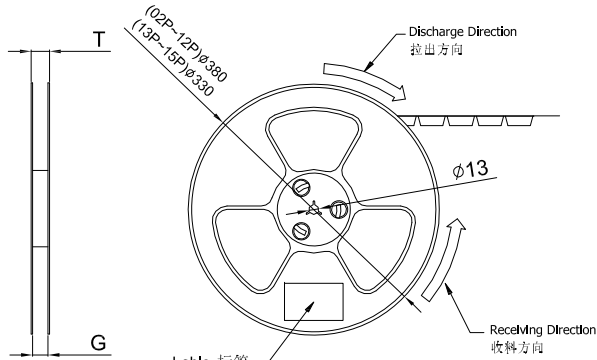
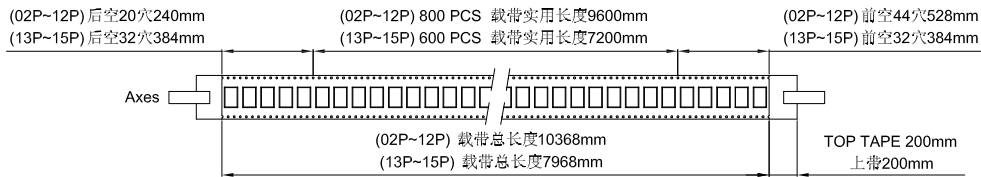
APPROVAL CHECK DRAWN DATE

Yangzhengguo Yangzhengyi Lvtingsheng 2016/08/26

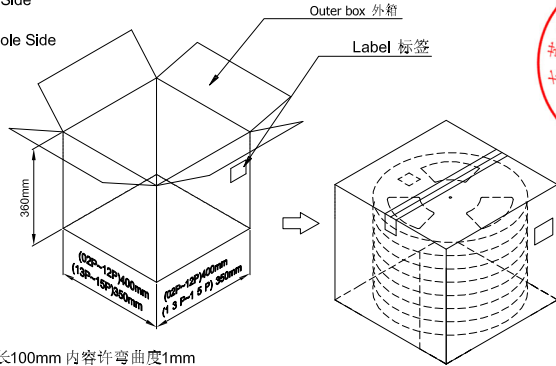
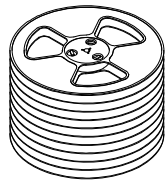
UNIT	SCALE	SHEET	REV	NUMBER
mm	1:1	1/1	A0	A-014

DATE	REV	ECN NO.	DESCRIPTION	MODIFY	APPROVAL
1					
2					
3					
4					
5					
6					
7					
8					

RoHS 包装图

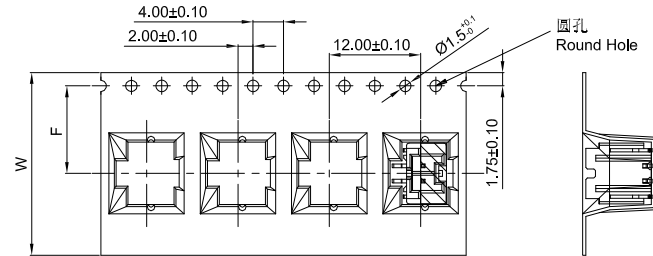
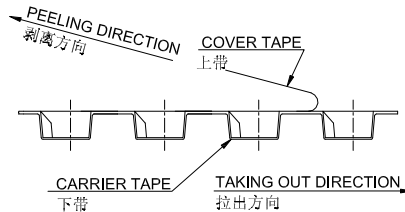


Label 标签
 Single hole: None Hole Side
 单孔: 贴无链孔侧
 Double hole: Elliptical Hole Side
 双孔: 贴椭圆孔侧

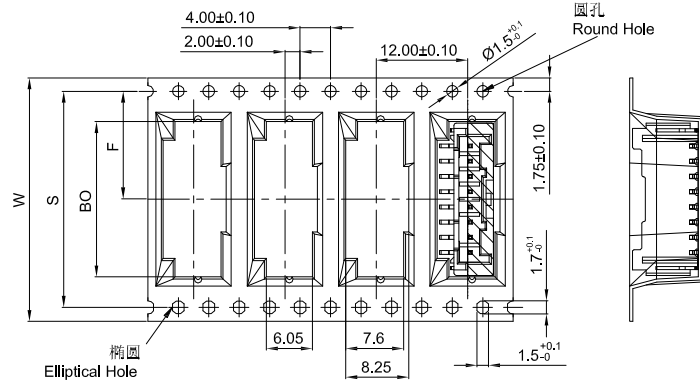


- Note:
- Carrier Camber Is Within 1mm In 100mm ; 带长100mm 内容许弯曲度1mm
 - 10 Sprocket Hole Pitch Cumulative Tolerance±0.2MM ; 圆孔十个孔距离累计允许公差为±0.2mm
 - Material for PS ; 材质为PS材质; Color 颜色:Natural 透明色
 - bracer保护带: Color 颜色:Natural 透明色;厚度0.40mm最小
 - Thickness=0.50±0.05 ; 材料厚度为0.50±0.05mm
 - Carton material 纸箱材质:K=K; Carton Thickness 纸箱厚度: 6~7mm

COVER TAPE PEEL STRENGTH:30~80g
 上带剥离力量: 30~80g
 速度 PEEL SPEED:300mm/minute



WIDTH=24mm



WIDTH=32~56mm

A2015WVS-XXX

Carrier Tape No. 载带料号	B0	W	S	F	T	G	REEL /PCS	CARTON /R	CARTON /PCS
A2015WVS-02	8.3	24	/	11.50	28.5	24.5	800	12	9600
A2015WVS-03	10.3								
A2015WVS-04	12.3								
A2015WVS-05	14.3	32	28.4	14.20	36.5	32.5	800	9	7200
A2015WVS-06	16.3								
A2015WVS-07	18.3								
A2015WVS-08	20.3								
A2015WVS-09	22.3								
A2015WVS-10	24.3	44	40.4	20.2	48.5	44.5	800	7	5600
A2015WVS-11	26.3								
A2015WVS-12	28.3								
A2015WVS-13	30.3	56	52.4	26.2	60.5	56.5	600	5	3000
A2015WVS-14	32.3								
A2015WVS-15	34.3								

GENERAL TOLERANCE

.X	±0.30
.XX	±0.20
.XXX	±0.10
X.°	±0.2°



东莞市国亚电子有限公司
 Dong Guan Guo Ya Connectors co., Ltd.

PART NO.

A2015WVS-XXX

TITLE:

2.00mm Connectors 180° Packing

APPROVAL CHECK DRAWN DATE

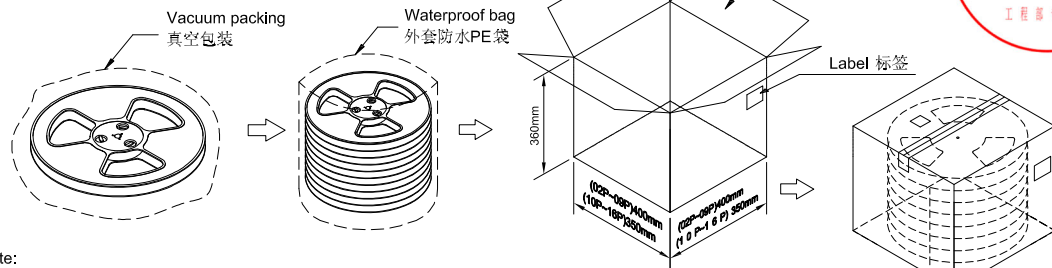
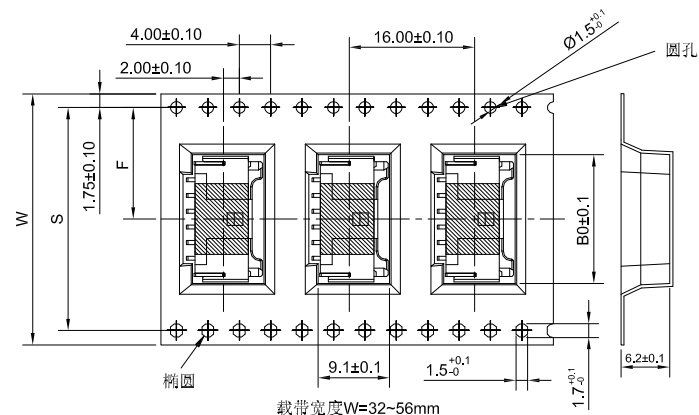
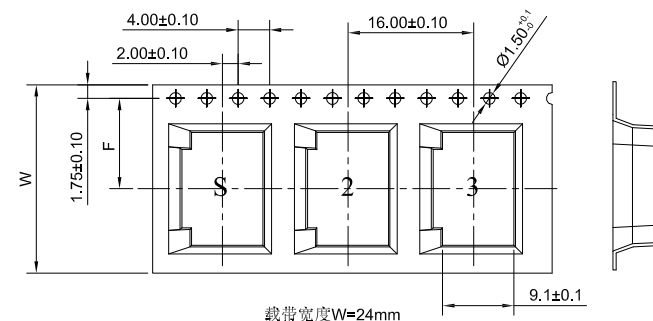
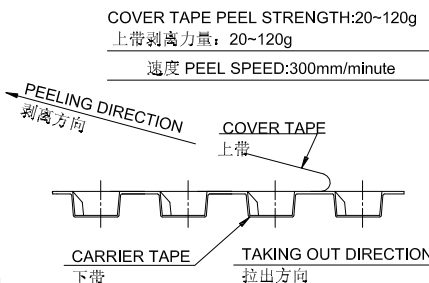
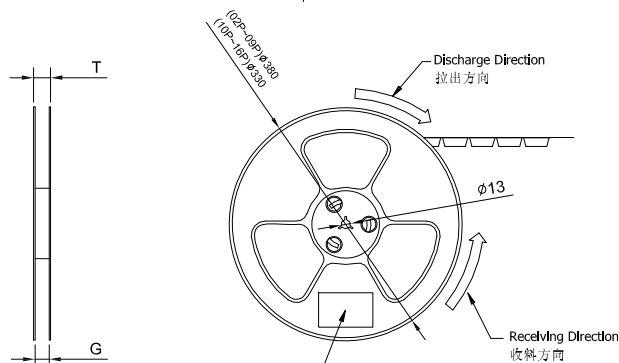
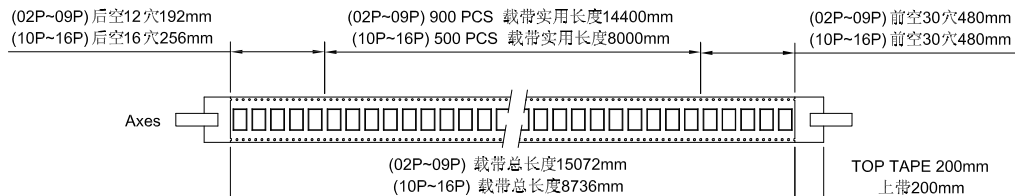
Yangzhengguo Yangzhengyi Lvtiansheng 2016/08/26

UNIT SCALE SHEET REV NUMBER
 mm 1:1 1/1 A0 A-000

DATE	REV	ECN NO.	DESCRIPTION	MODIFY	APPROVAL
1					

RoHS

包装图



- Note:
- Carrier Camber Is Within 1mm In 100mm; 带长100mm 内容许弯曲度1mm
 - 10 Sprocket Hole Pitch Cumulative Tolerance±0.2MM; 圆孔十个孔距离累计允许公差为±0.2mm
 - Material for PS; 材质为PS材质; Color 颜色:Natural 本色透明色
 - bracer 保护带; Color 颜色:Natural 透明色; 厚度0.40mm 最小
 - Thickness=0.40±0.05; 材料厚度为0.40±0.05mm
 - Cover Tape 上带: 冷封
 - Carton material 纸箱材质:K=K; Carton Thickness 纸箱厚度: 6~7mm



Carrier Tape No. 载带料号	W	S	F	T	G	B0	REEL /PCS	CARTON /R	CARTON /PCS
A2015WRS-02	24	/	11.50	28.5	24.5	8.4	900	12	10800
A2015WRS-03						10.4			
A2015WRS-04						12.4			
A2015WRS-05						14.4			
A2015WRS-06	32	28.4	14.20	36.5	32.5	16.4	900	9	8100
A2015WRS-07						18.4			
A2015WRS-08						20.4			
A2015WRS-09						22.4			
A2015WRS-10	44	40.4	20.2	48.5	44.5	24.4	900	7	6300
A2015WRS-11						26.4			
A2015WRS-12						28.4			
A2015WRS-13						30.4			
A2015WRS-14	56	52.4	26.2	60.5	56.5	32.4	500	5	2500
A2015WRS-15						34.4			
A2015WRS-16						36.4			

DATE	REV	ECN NO.	DESCRIPTION	MODIFY	APPROVAL
1					

GENERAL TOLERANCE	
.X	±0.30
.XX	±0.20
.XXX	±0.10
X.°	±0.2°

GYA 东莞市国亚电子有限公司
Connectors Dong Guan Guo Ya Connectors co., Ltd.

APPROVAL: Yangzhengguo
CHECK: Yangzhengyi
DRAWN: Lvtiansheng
DATE: 2016/08/26

PART NO.				
A2015WRS-XXX				
TITLE:				
2.00mm Connectors 90° Packing				
UNIT	SCALE	SHEET	REV	NUMBER
mm	1:1	1/1	A0	A-000