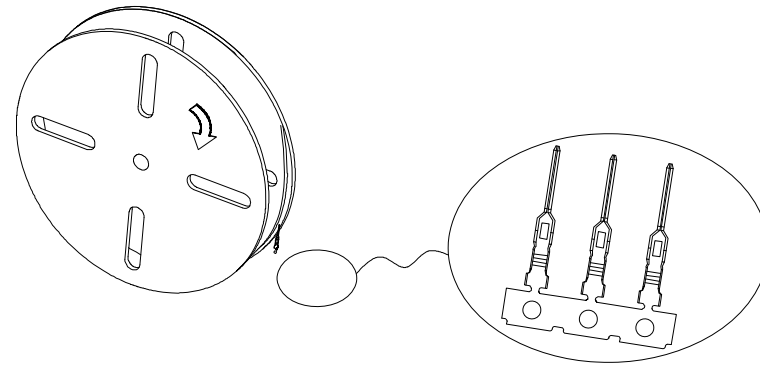
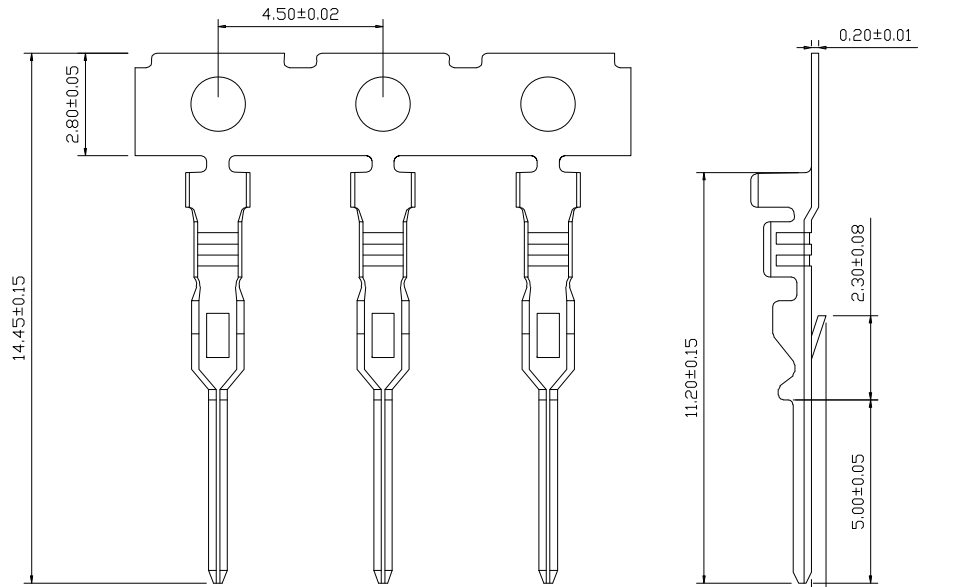
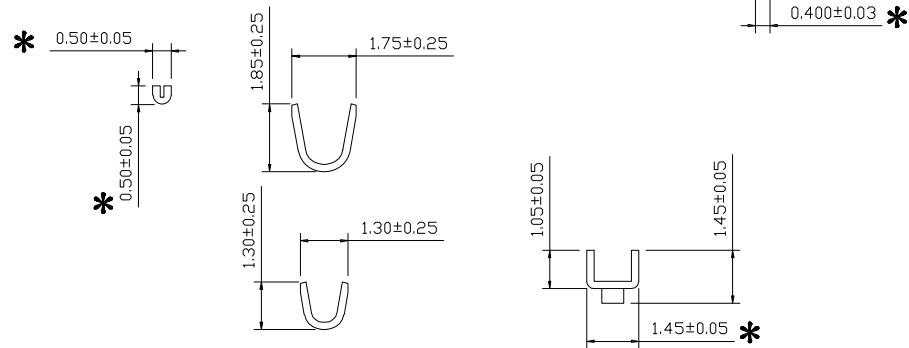


RoHS



电镀后的收料方向  
(打线开口朝内)



备注:

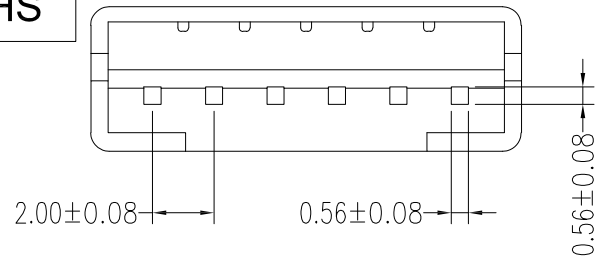
1. 材质: T=0.20mm 磷铜 C5191
2. 产品不可有压伤, 裂痕
3. 产品毛边0.03mm.
4. 加\*所示尺寸为首件量测尺寸加\*为巡检量测尺寸
5. 产品表面处理: 亮锡 镍30-50"U" 锡50-80"U" 盐雾测试须过24H/MIN

					GENERAL TOLERANCE		东莞市国亚电子有限公司 Dong Guan Guo Ya Connectors co., ltd.		PART NO. A2014T-XXX							
					.X ±0.30				TITLE 2.00mm CrImp Style Connectors							
					.XX ±0.20				APPROVAL		CHECK		DRAWN		DATE	
					.XXX ±0.10				PROJECT		Yangzhengguo		Yangjinyi		Lvtiansheng	
					X.° ±2°		PROJECT		Yangzhengguo		Yangjinyi		Lvtiansheng		2016/08/26	
DATE	REV	ECN NO.	DESCRIPTION	MODIFY	APPROVAL	PROJECT		Yangzhengguo		Yangjinyi		Lvtiansheng		2016/08/26		
1						PROJECT		Yangzhengguo		Yangjinyi		Lvtiansheng		2016/08/26		
					UNIT		SCALE		SHEET		REV		NUMBER			
					mm		1:1		1/1		A0		A-253			

RoHS

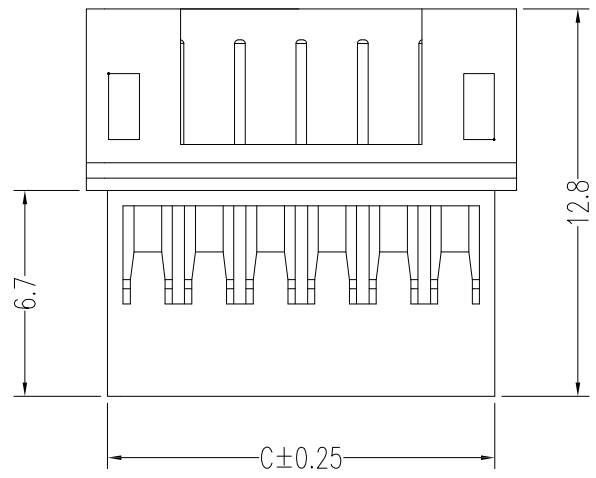
F

F



E

E

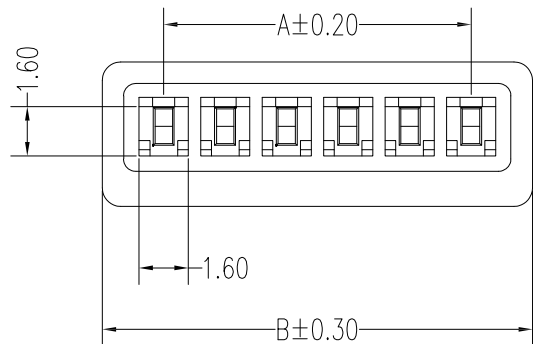


D

D

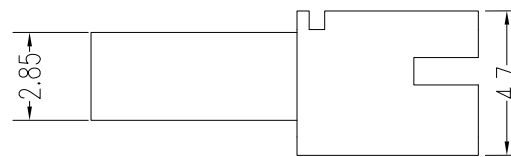
C

C



B

B



### Specifications:

- Material:  
Base: Nylon 66 UL 94V-0
- Voltage Rating: 250V
- Current Rating: 2A
- Withstand Voltage: 800V AC/Minute
- Insulation Resistance: 1000MΩ min.
- Temperature Range: -25°C~+85°C
- Contact Resistance: Initial value/10mΩ max.  
After environmental testing/20mΩ max.



Circuits	Part No	Dimensions mm		
		A	B	C
2	A2014H-002	2.00	6.00	4.60
3	A2014H-003	4.00	8.00	6.60
4	A2014H-004	6.00	10.00	8.60
5	A2014H-005	8.00	12.00	10.60

A

A

					GENERAL TOLERANCE	<b>GYA</b> 东莞市国亚电子有限公司 Connectors Dong Guan Guo Ya Connectors co., Ltd.				PART NO. A2014H-XXX					
					.X ±0.30					TITLE 2.00mm CrImp Style Connectors					
					.XX ±0.20										
					.XXX ±0.10										
					X.° ±2°										
DATE	REV	ECN NO.	DESCRIPTION	MODIFY	APPROVAL	PROJECT	APPROVAL	CHECK	DRAWN	DATE	UNIT	SCALE	SHEET	REV	NUMBER
1		2		3		5	Yangzhengguo	Yangjinyi	Lvtiansheng	2016/08/26	mm	1:1	1/1	A0	A-253

1 2 3 4 5 6 7 8