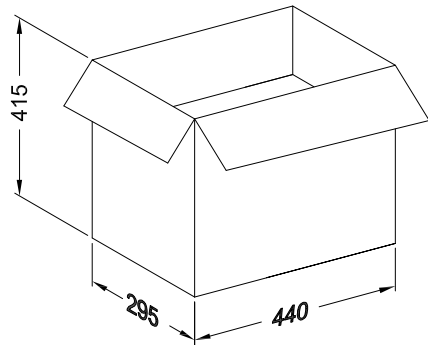
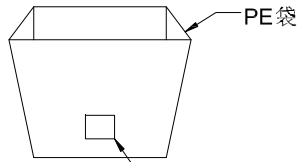
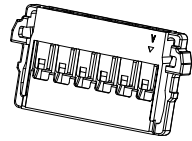
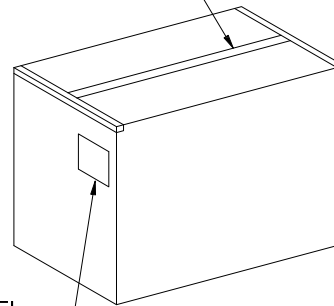


RoHS

包装图



胶带ADHESIVE TAPE



Note注解:

1. Place Housing into PE bag and seal PE bag. Label.
将 Housing放入PE袋内, 并将PE袋封好.贴上标签.
2. Put PE bag packed products in cartons, Packing detail see the table below
将装好产品的PE袋放入纸箱内, 详细包装见下表
3. Label depends on customer request, carton opening joint with transparent tape
标签依客户要求而定, 纸箱开口处用透明胶带贴合.
4. There shall be no dirt such as deformation phenomenon, Mantissa box fillers must be used
每箱不可有脏污, 变形现象, 尾数箱必须用填充物
5. Carton material: K=K, Carton thickness: 6±1mm
纸箱材质:K=K, 纸箱厚度:6~7mm

Poles	Bag PCS	Box PCS
02	1000	150K
03	1000	100K
04	1000	80K
05	1000	70K
06	1000	60K
07	1000	50K
08	1000	40K
09	1000	35K
10	1000	35K
11	1000	30K
12	1000	26K
13	1000	26K
14	1000	15K
15	1000	10K

DATE	REV	ECN NO.	DESCRIPTION	MODIFY	APPROVAL
1					
2					
3					
4					

GENERAL TOLERANCE	
.X	±0.30
.XX	±0.20
.XXX	±0.10
X.°	±0.2°
视图	



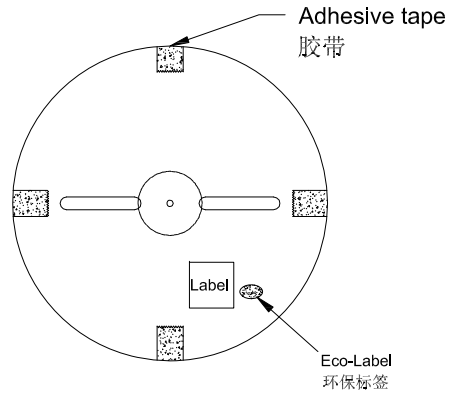
东莞市国亚电子有限公司
Dong Guan Guo Ya Connectors co., Ltd.

APPROVAL	CHECK	DRAWN	DATE
Yangzhengguo	Yangjinyi	Lvtiansheng	2016/08/26

PART NO.				
A2012H-XXX				
TITLE:				
2.00mm Housing Packing				
UNIT	SCALE	SHEET	REV	NUMBER
mm	1:1	1/1	A0	A-022

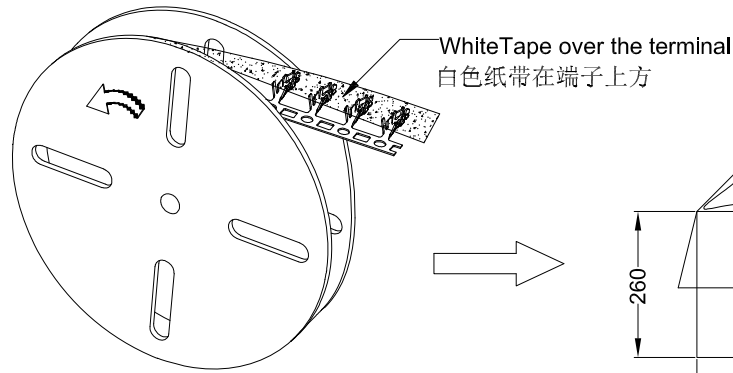
RoHS

包装图

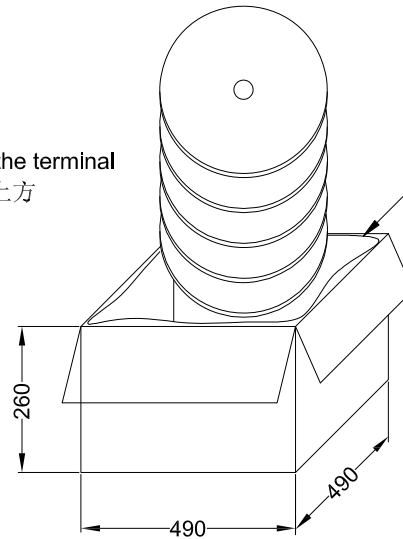


Note 注解:

- Quantity 数量:
10K PCS/REEL 一卷10K/PCS
10 REEL/BOX 一箱10卷
100K PCS/BOX 一箱100K/PCS
- Each reel and outer box must be labeled and Eco-Label Respectively labeled
每盘和外箱都必须有标签及环保标签分别标示
- Terminal winding direction as shown
端子缠绕方向如左图所示
- There shall be no dirt such as deformation phenomenon, Mantissa box fillers must be used
每箱不可有脏污,变形现象,尾数箱必须用填充物
- Carton material: K=K, Carton thickness: 6±1mm
纸箱材质:K=K, 纸箱厚度:6±1mm
- Paper tape should be white
纸带需用白色
- One waterproof bag and two bags of desiccant 10g should be put in each box.
每箱里面要放一个防水袋和两包干燥剂10g
- Storage conditions: Temperature 10~30 °C; Humidity 20%~65%RH
存储条件: 温度10~30 °C; 湿度20%~65%RH



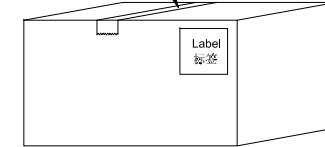
卷装方式
Package way



Waterproof bag 防水袋
Drier 干燥剂放两包10g



Adhesive tape
胶带



GENERAL TOLERANCE

.X	±0.35
.XX	±0.25
.XXX	±0.15
X.°	±0.2



GYA
Connectors

东莞市国亚电子有限公司
Dong Guan Guo Ya Connectors co., Ltd.

APPROVAL

CHECK

DRAWN

DATE

Yangzhengguo

Yangjinyi

Lvtiansheng

2016/08/26

PART NO.

2012T-XXX

TITLE:

2.00mm Terminal Packing

DATE

REV

ECN NO.

DESCRIPTION

MODIFY

APPROVAL

UNIT

SCALE

SHEET

REV

NUMBER

mm

1:1

1/1

A0

A-014