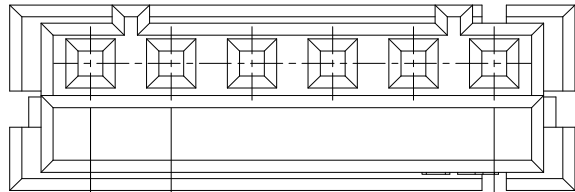
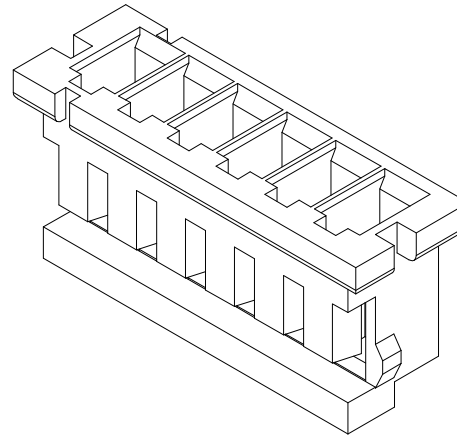


RoHS



2.00±0.10

A±0.20



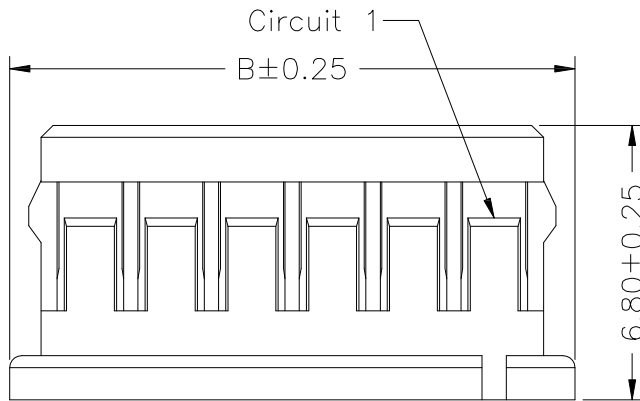
SPECIFICATIONS

Current Rating: 3A AC,DC
 Voltage Rating: 250V AC,DC
 Temperature Range: -25°C ~ +85°C
 Contact Resistance: 30mΩ Max.
 Insulation Resistance: 1000MΩ Min.
 Withstanding Voltage: 650V AC/minute
 Material: Nylon 66,UL94V-0
 Color: Black

A2009 H - NP - N0 BK

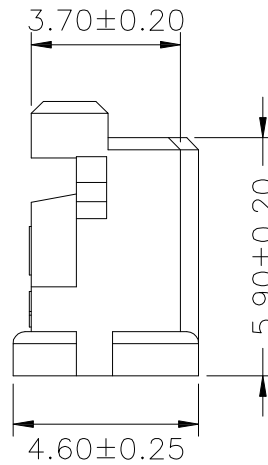
① ② ③ ④ ⑤

- ① Series No.
- ② Category: H-Housing
- ③ Circuit No.: 02-2PIN~15-15PIN
- ④ Material: N0-Nylon66, UL94V-0
- ⑤ Color: BK-Black



Circuit 1
 B±0.25

6.80±0.25



3.70±0.20

4.60±0.25

5.90±0.20

Ordering Information & Dimensions

PART NO.	Dimensions	
	A	B
A2009H-02P	2.00	6.00
A2009H-03P	4.00	8.00
A2009H-04P	6.00	10.00
A2009H-05P	8.00	12.00
A2009H-06P	10.00	14.00
A2009H-07P	12.00	16.00
A2009H-08P	14.00	18.00
A2009H-09P	16.00	20.00
A2009H-10P	18.00	22.00
A2009H-11P	20.00	24.00
A2009H-12P	22.00	26.00
A2009H-13P	24.00	28.00
A2009H-14P	26.00	30.00
A2009H-15P	28.00	32.00



GENERAL TOLERANCE

- .X ±0.30
- .XX ±0.20
- .XXX ±0.10
- X.° ±2°

PROJECT



东莞市国亚电子有限公司
 Dong Guan Guo Ya Connectors co., Ltd.

APPROVAL CHECK DRAWN DATE

Yangzhengguo Yangjinyi Lvtiansheng 2016/08/26

PART NO.

A2009H-NP-NOBK

TITLE

2.00mm Crimp Style Connectors

UNIT	SCALE	SHEET	REV	NUMBER
mm	1:1	1/1	A0	A-022

A

A

DATE

1

REV

2

ECN NO.

3

DESCRIPTION

4

MODIFY

APPROVAL

5

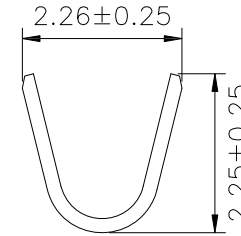
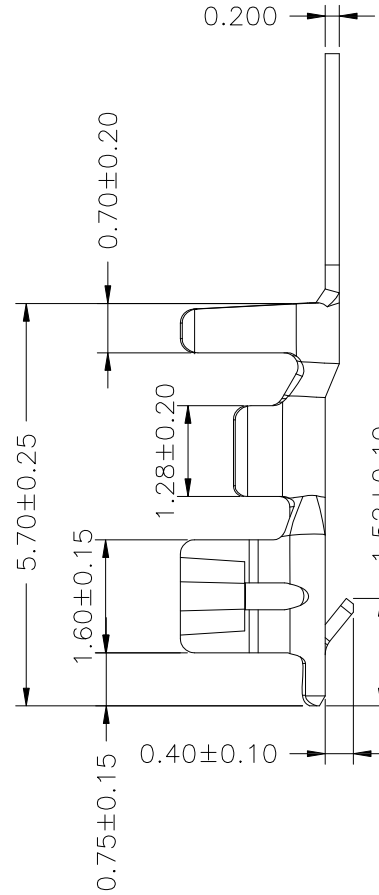
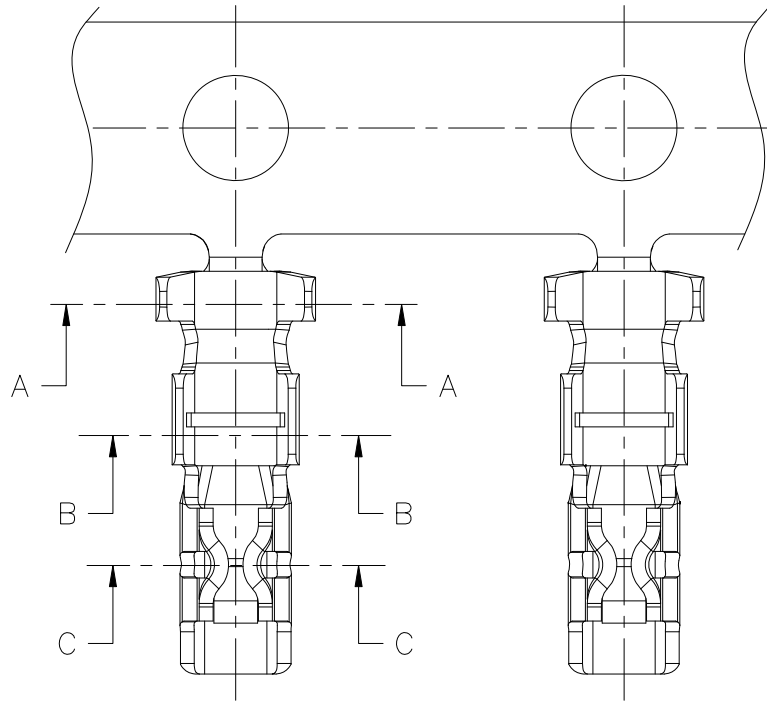
6

7

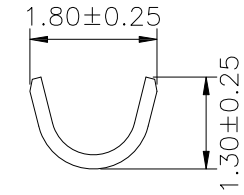
8

8

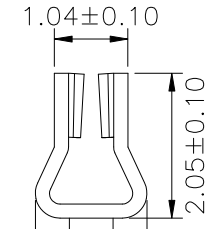
RoHS



SEC:A-A



SEC:B-B



SEC:C-C

A2009 T F - P XX

① ② ③ ④ ⑤

- ① Series No.:
- ② Category: T- Terminal
- ③ Terminal Type: F-mate with male housing
- ④ Material: P-Phosphor Bronze,
- ⑤ Plating : G1-Gold Flash, T1-Tin Plated

Ordering Information & Specifications

Part No	Wire Range	Insulation O.D.	Material	Finish	Qty/reel
A2009TF-PT1	AWG#22-#28	1.45mm(max)	Phosphor Bronze	Tin-plated	10,000pcs
A2009TF-PG1	AWG#22-#28	1.45mm(max)	Phosphor Bronze	Gold-flash	10,000pcs

GENERAL TOLERANCE	
.X	±0.30
.XX	±0.20
.XXX	±0.10
X.°	±2°



东莞市国亚电子有限公司
Dong Guan Guo Ya Connectors co.,ltd.

APPROVAL	CHECK	DRAWN	DATE
Yangzhengguo	Yangjinyi	Lvtiansheng	2016/08/26

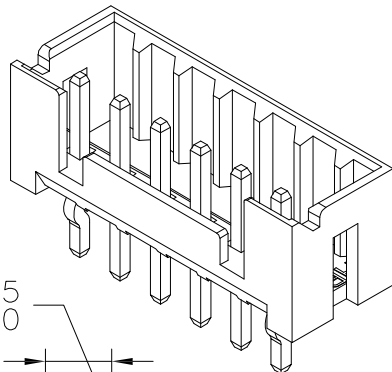
PART NO.
A2009T-XXX

TITLE
2.00mm Crimp Style Connectors

DATE	REV	ECN NO.	DESCRIPTION	MODIFY	APPROVAL
1					
2					
3					
4					

UNIT	SCALE	SHEET	REV	NUMBER
mm	1:1	1/1	A0	A-022

RoHS

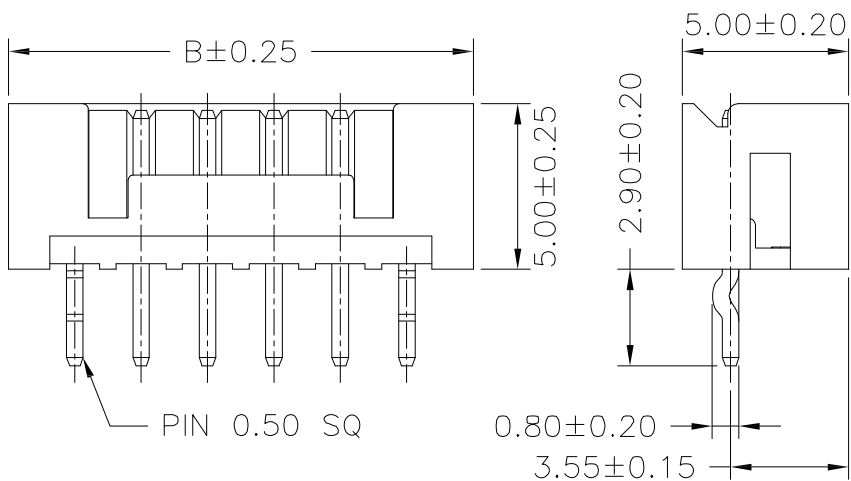
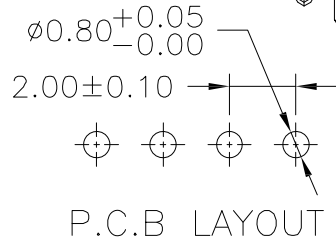
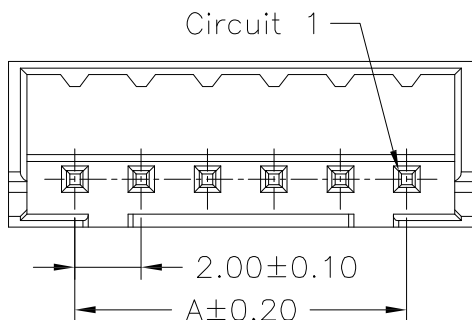


SPECIFICATIONS

Current Rating: 3A AC,DC
 Voltage Rating: 250V AC,DC
 Temperature Range: -25°C ~ +85°C
 Contact Resistance: 30mΩ Max.
 Insulation Resistance: 1000MΩ Min.
 Withstanding Voltage: 650V AC/minute
 Pin Material: Brass/Gold-flash
 Material: Nylon 6T,UL94V-0
 Color: Natural(Black)

A2009 W V - NP - XX BK X
 ① ②③ ④ ⑤ ⑥ ⑦

- ① Series No.
- ② Category:W-wafer
- ③ Welding Board Angle: V- Straight 180°
- ④ Circuit No.: 02-2PIN.....15-15PIN
- ⑤ Material: 6T-PA6T UL94V-0,
- ⑥ Color: BK-Black
- ⑦ Plating Method: G-Gold-flash T-Tin-plated

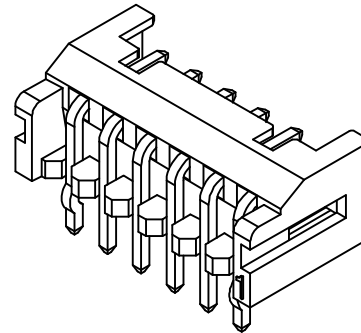


Ordering Information & Dimensions

PART NO.	Dimensions	
	A	B
A2009WV-02P	2.00	6.00
A2009WV-03P	4.00	8.00
A2009WV-04P	6.00	10.00
A2009WV-05P	8.00	12.00
A2009WV-06P	10.00	14.00
A2009WV-07P	12.00	16.00
A2009WV-08P	14.00	18.00
A2009WV-09P	16.00	20.00
A2009WV-10P	18.00	22.00
A2009WV-11P	20.00	24.00
A2009WV-12P	22.00	26.00
A2009WV-13P	24.00	28.00
A2009WV-14P	26.00	30.00
A2009WV-15P	28.00	32.00

					GENERAL TOLERANCE		GYA 东莞市国亚电子有限公司 Dong Guan Guo Ya Connectors co., Ltd.		PART NO. A2009WV-XXX					
					.X ±0.30				TITLE 2.00mm Crimp Style Connectors					
					.XX ±0.20									
					.XXX ±0.10				APPROVAL		CHECK	DRAWN	DATE	
					X.° ±2°		PROJECT		Yangzhengguo	Yangjinyi	Lvtiansheng	2016/08/26		
DATE	REV	ECN NO.	DESCRIPTION	MODIFY	APPROVAL					UNIT	SCALE	SHEET	REV	NUMBER
1										mm	1 : 1	1/1	A0	A-022

RoHS



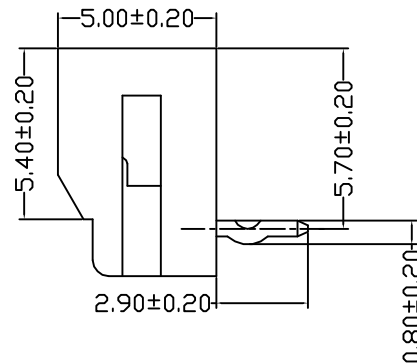
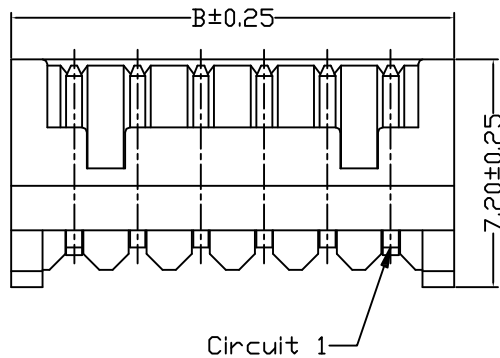
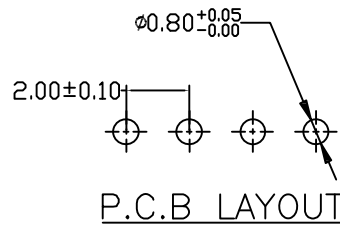
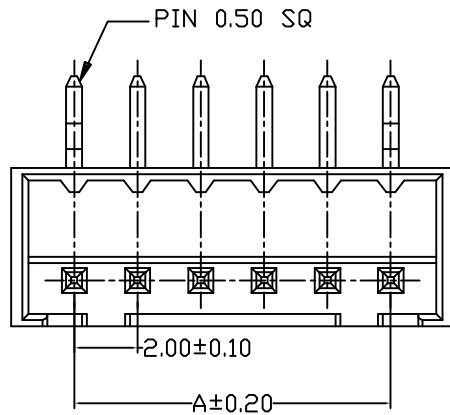
Specifications :
 Voltage rating: 250V AC / DC
 Current rating: 3A AC / DC
 Withstanding voltage: 650V AC/minute
 Temperature range: -25°C ~ +85°C
 Insulation resistance: ≥1000MΩ,
 Contact resistance: ≤30mΩ,
 Material:
 PIN: Brass, Gold-flash
 Wafer: PA6T,UL94V-0, Color: Black

A2009 W V - NP - 6T BK G
 ① ② ③ ④ ⑤ ⑥ ⑦

- ① Series No.
- ② Category:W-wafer
- ③ Welding Board Angle: R- Straight 90°
- ④ Circuit No.: 02-2PIN.....15-15PIN
- ⑤ Material: 6T-PA6T UL94V-0,
- ⑥ Color: BK-Black
- ⑦ Plating Method: G-Gold-fiah

Ordering Information & Dimensions

PART NO.	Dimensions	
	A	B
A2009WR-02	2.00	6.00
A2009WR-03	4.00	8.00
A2009WR-04	6.00	10.00
A2009WR-05	8.00	12.00
A2009WR-06	10.00	14.00
A2009WR-07	12.00	16.00
A2009WR-08	14.00	18.00
A2009WR-09	16.00	20.00
A2009WR-10	18.00	22.00
A2009WR-11	20.00	24.00
A2009WR-12	22.00	26.00
A2009WR-13	24.00	28.00
A2009WR-14	26.00	30.00
A2009WR-15	28.00	32.00



GENERAL TOLERANCE

- .X ±0.30
- .XX ±0.20
- .XXX ±0.10
- X.° ±2°



东莞市国亚电子有限公司
 Dong Guan Guo Ya Connectors co., Ltd.

PART NO.

A2009WR-XXX

TITLE

2.00mm Crimp Style Connectors

APPROVAL

Yangzhengguo

CHECK

Yangjinyi

DRAWN

Lvtiansheng

DATE

2016/08/26

UNIT

mm

SCALE

1:1

SHEET

1/1

REV

A0

NUMBER

A-022

DATE	REV	ECN NO.	DESCRIPTION	MODIFY	APPROVAL
1					
2					
3					
4					

