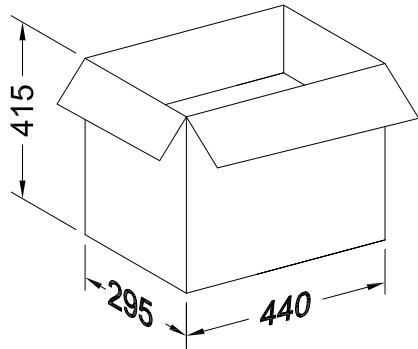
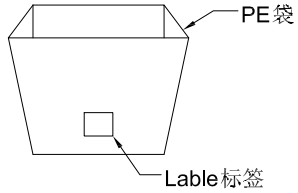
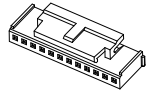
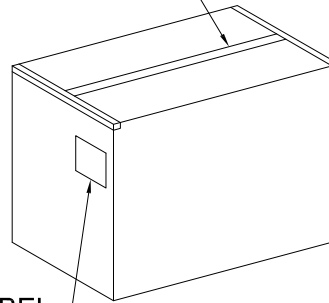


RoHS



胶带ADHESIVE TAPE



标签 LABEL

Note注解:

1. Place Housing into PE bag and seal PE bag. Label.
将 Housing放入PE袋内, 并将PE袋封好.贴上标签.
2. Put PE bag packed products in cartons, Packing detail see the table below
将装好产品的PE袋放入纸箱内, 详细包装见下表
3. Label depends on customer request, carton opening joint with transparent tape
标签依客户要求而定, 纸箱开口处用透明胶带贴合.
4. There shall be no dirt such as deformation phenomenon, Mantissa box fillers must be used
每箱不可有脏污, 变形现象, 尾数箱必须用填充物
5. Carton material: K=K, Carton thickness: 6±1mm
纸箱材质:K=K, 纸箱厚度:6±1mm

Poles	Bag PCS
02	1000
03	1000
04	1000
05	1000
06	1000
07	1000
08	1000
09	1000
10	1000
11	1000
12	1000
13	1000
14	1000
15	1000

DATE	REV	ECN NO.	DESCRIPTION	MODIFY	APPROVAL	PROJECT	APPROVAL	CHECK	DRAWN	DATE	UNIT	SCALE	SHEET	REV	NUMBER
							Yangzhengguo	Yangjinyi	Lvtiansheng	2016/08/26	mm	1:1	1/1	A0	A-022

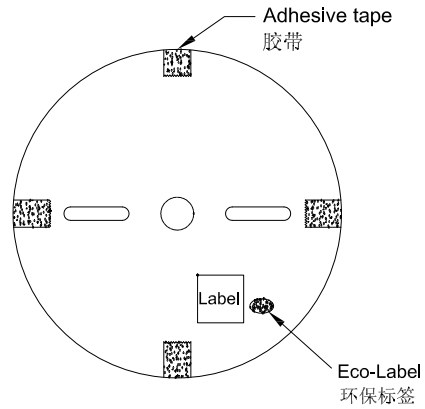
GENERAL TOLERANCE	
.X	±0.35
.XX	±0.25
.XXX	±0.15
X°	±0.2°

GYA 东莞市国亚电子有限公司
Connectors Dong Guan Guo Ya Connectors co., Ltd.

PART NO. A2005H-XXA-N0XX

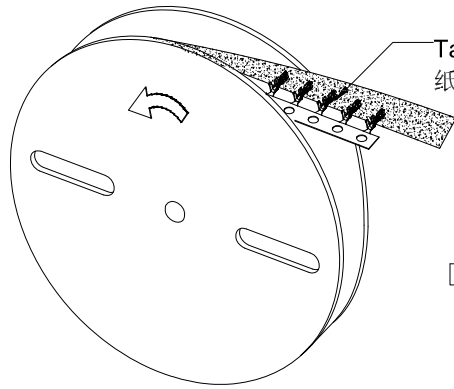
TITLE: 2.00mm Housing Packing

RoHS

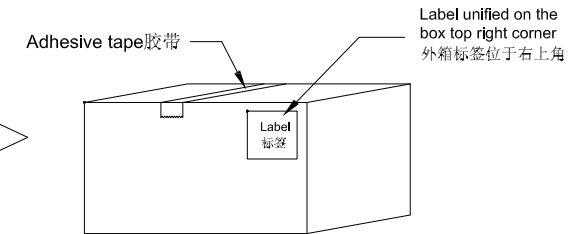
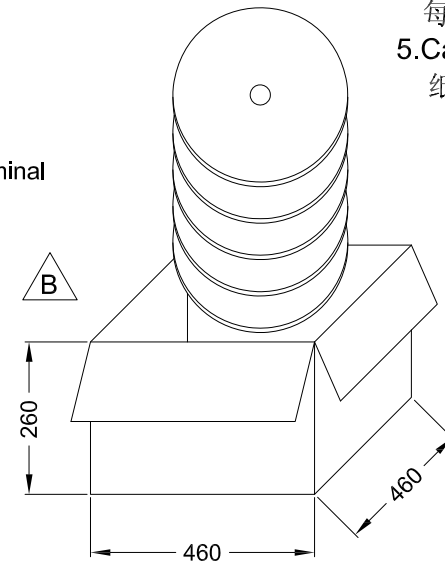


Note 注解:

- Quantity 数量:
10K PCS/REEL 一卷10K/PCS
10 REEL/BOX 一箱10卷
100K PCS/BOX 一箱100K/PCS
- Each reel and outer box must be labeled and Eco-Label Respectively labeled
每盘和外箱都必须有标签及环保标签分别标示
- Terminal winding direction as shown
端子缠绕方向如左图所示
- There shall be no dirt such as deformation phenomenon, Mantissa box fillers must be used
每箱不可有脏污, 变形现象, 尾数箱必须用填充物
- Carton material: K=K, Carton thickness: 6±1mm
纸箱材质:K=K, 纸箱厚度:6±1mm

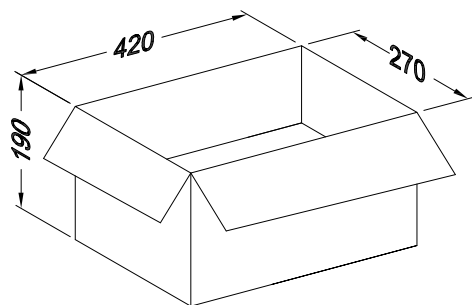
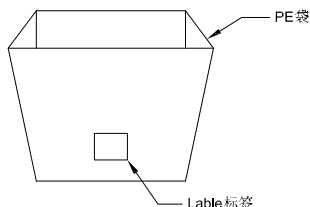


卷装方式
Package way

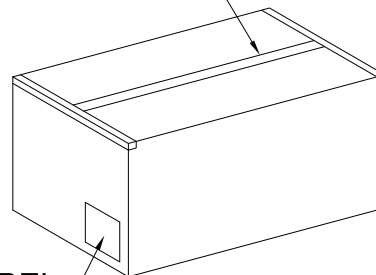


						GENERAL TOLERANCE		PART NO. A2005T-PXXX-AX	
						.X ±0.35		TITLE: 2.00mm Terminal Packing	
						.XX ±0.25		UNIT SCALE SHEET REV NUMBER	
						.XXX ±0.15		mm 1:1 1/1 A0 A-014	
						X° ±0.2°		APPROVAL CHECK DRAWN DATE	
						PROJECT		Yangzhengguo Yangjinyi Lvtiansheng 2016/08/26	
DATE	REV	ECN NO.	DESCRIPTION	MODIFY	APPROVAL	GYA 东莞市国亚电子有限公司 Dong Guan Guo Ya Connectors co., Ltd.			

RoHS



胶带ADHESIVE TAPE



Note 注解:

1. Put Housing in a PE bag, PE bag gauge for: 24.0 * 24.5 * 0.10 mm, Packing detail see the table below

将 Housing放入PE袋内, PE袋规为:24.0*24.5*0.10mm, 详细包装见下表

2. Put PE bag packed products in specifications of 420 * 270 * 190 mm cartons, Packing detail see the table below

将装好产品的PE袋放入规格为420*270*190mm的纸箱内, 详细包装见下表

3. Label depends on customer request, carton opening joint with transparent tape

标签依客户要求而定, 纸箱开口处用透明胶带贴合.

4. Carton material: K=K, Carton thickness: 6±1mm

纸箱材质:K=K, 纸箱厚度:6±1mm



Poles	Bag PCS	CARTON Bag	CARTON PCS
02	1000	15	15K
03			
04			
05			
06			
07	500	15	7.5K
08			
09			
10			
11			
12			
13			
14			
15			

GENERAL TOLERANCE	
.X	±0.35
.XX	±0.25
.XXX	±0.15
X°	±0.2°
PROJECT	

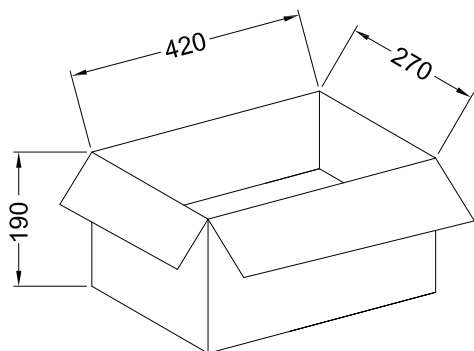
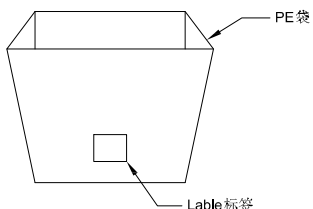
GYA 东莞市国亚电子有限公司
Connectors Dong Guan Guo Ya Connectors co., Ltd.

APPROVAL	CHECK	DRAWN	DATE
Yangzhengguo	Yangjinyi	Lvtiansheng	2016/08/26

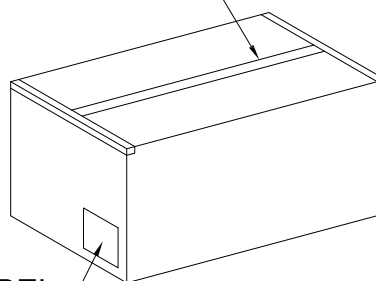
PART NO. A2005WV-XXA-XXXX				
TITLE: 2.00mm Housing Packing				
UNIT	SCALE	SHEET	REV	NUMBER
mm	1:1	1/1	A0	A-106

DATE	REV	ECN NO.	DESCRIPTION	MODIFY	APPROVAL

RoHS



胶带ADHESIVE TAPE



Note注解:

- Put WAFER in a PE bag, PE bag gauge for: 24.0 * 24.5* 0.10 mm, Packing detail see the table below
将 WAFER放入PE袋内, PE袋规为:24.0*24.5*0.10mm, 详细包装见下表
- Put PE bag packed products in specifications of 420 * 270 * 190 mm cartons, Packing detail see the table below
将装好产品的PE袋放入规格为420*270*190mm的纸箱内, 详细包装见下表
- Label depends on customer request, carton opening joint with transparent tape
标签依客户要求而定, 纸箱开口处用透明胶带贴合.
- Carton material: K=K, Carton thickness: 6±1mm
纸箱材质:K=K, 纸箱厚度:6±1mm



Poles	Bag PCS	CARTON Bag	CARTON PCS
02	1000	15	15K
03			
04			
05			
06			
07	500	15	7.5K
08			
09			
10			
11			
12			
13			
14			
15			

						GENERAL TOLERANCE .X ±0.35 .XX ±0.25 .XXX ±0.15 X° ±0.2° PROJECT 		东莞市国亚电子有限公司 Dong Guan Guo Ya Connectors co., Ltd.		PART NO. A2005WR-XXAX-XXXX TITLE: 2.00mm WAFER Packing				
DATE	REV	ECN NO.	DESCRIPTION	MODIFY	APPROVAL	APPROVAL	CHECK	DRAWN	DATE	UNIT	SCALE	SHEET	REV	NUMBER
						Yangzhengguo	Yangjinyi	Lvtiansheng	2016/08/26	mm	1:1	1/1	A0	A-106