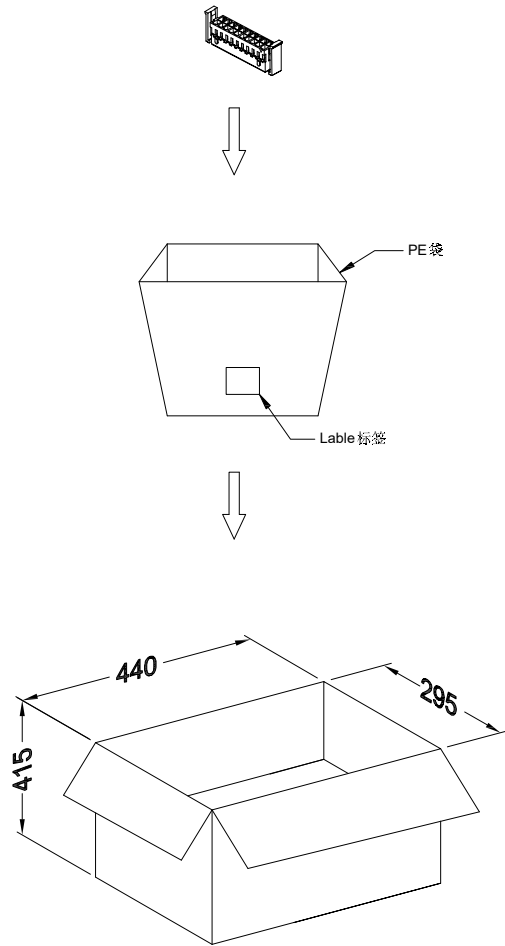


RoHS 包装图

Note 注解:

- Put Housing in a PE bag, PE bag gauge for: 220 * 230 * 0.10 mm, Packing detail see the table below
将 Housing放入PE袋内, PE袋规为:220*230*0.10mm, 详细包装见下表
- Put PE bag packed products in specifications of 440 * 295 * 415 mm cartons, Packing detail see the table below
将装好产品的PE袋放入规格为440*295*415mm的纸箱内, 详细包装见下表
- Label depends on customer request, carton opening joint with transparent tape
标签依客户要求而定, 纸箱开口处用透明胶带贴合.
- Carton material: K=K, Carton thickness: 6~7mm
纸箱材质:K=K, 纸箱厚度:6~7mm



Pin位	袋/PCS	箱/袋	箱/PCS
2*02	1000	50	50K
2*03			
2*04			
2*05	1000	35	35K
2*06			
2*07			
2*08			
2*09	1000	20	20K
2*10			
2*11			
2*12			
2*13			
2*14	1000	14	14K
2*15			
2*16			
2*17			
2*18			
2*19			
2*20			
2*21			
2*22			

GENERAL TOLERANCE	
.X	±0.35
.XX	±0.25
.XXX	±0.15
X°	±0.2°

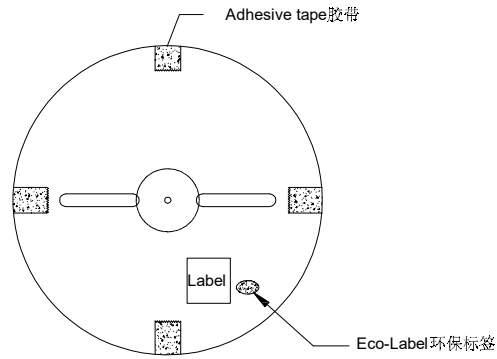
GYA 东莞市国亚电子有限公司
Connectors Dong Guan Guo Ya Connectors co., Ltd.

APPROVAL	CHECK	DRAWN	DATE
Yangzhengguo	Yangjinyi	Lvtiansheng	2016/08/26

PART NO. A2004H-2*XXAX-N0XX				
TITLE: 2.00mm Housing Packing				
UNIT	SCALE	SHEET	REV	NUMBER
mm	1:1	1/1	A0	A-089

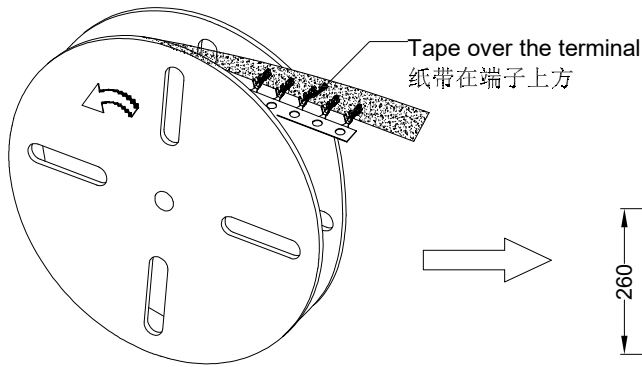
DATE	REV	ECN NO.	DESCRIPTION	MODIFY	APPROVAL

RoHS 包装图

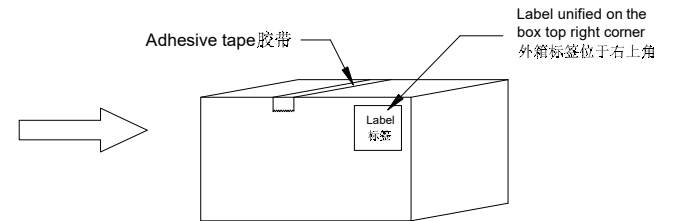
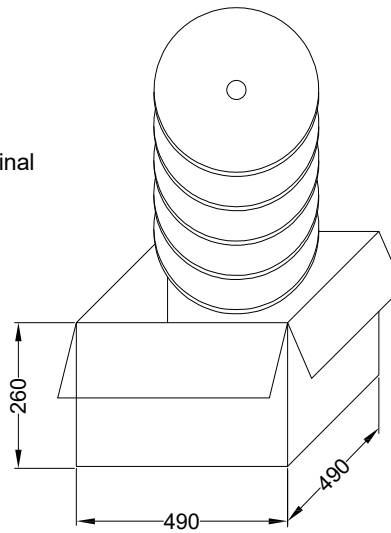


Note 注解:

- Quantity 数量:
10K PCS/REEL 一卷10K/PCS
10 REEL/BOX 一箱10卷
100K PCS/BOX 一箱100K/PCS
- Each reel and outer box must be labeled and Eco-Label Respectively labeled
每盘和外箱都必须有标签及环保标签分别标示
- Terminal winding direction as shown
端子缠绕方向如左图所示
- There shall be no dirt such as deformation phenomenon, Mantissa box fillers must be used
每箱不可有脏污, 变形现象, 尾数箱必须用填充物
- Carton material 纸箱材质:K=K;
Carton Thickness 纸箱厚度: 6~7mm



卷装方式
Package way



GENERAL TOLERANCE

.X	±0.35
.XX	±0.25
.XXX	±0.15
X°	±0.2°



东莞市国亚电子有限公司
Dong Guan Guo Ya Connectors co., Ltd.

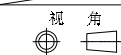
PART NO.

A2004TX-PXX-X

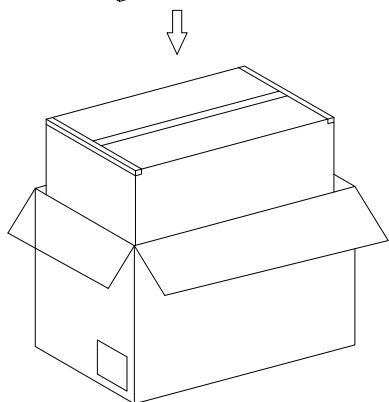
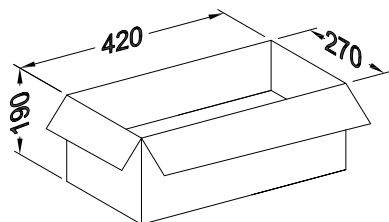
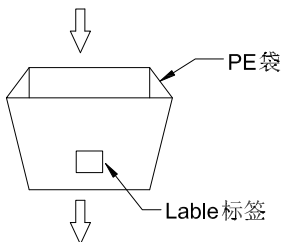
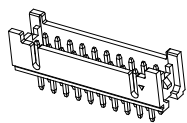
TITLE:

2.00mm Terminal Packing

DATE	REV	ECN NO.	DESCRIPTION	MODIFY	APPROVAL	APPROVAL	CHECK	DRAWN	DATE	UNIT	SCALE	SHEET	REV	NUMBER
						Yangzhengguo	Yangjinyi	Lvtiansheng	2016/08/26	mm	1:1	1/1	A0	A-000



RoHS 包装图



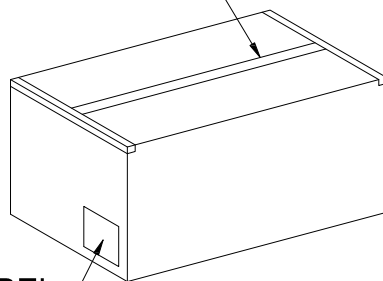
Two little box full of products in a big box
装满产品的两个小箱放入一个大箱

Note 注解:

- Put Housing in a PE bag, PE bag gauge for: 240 * 240 * 0.10 mm, Packing detail see the table below
将 Housing放入PE袋内, PE袋规为:240*240*0.10mm, 详细包装见下表
- Put PE bag packed products in specifications of 420 * 270 * 190 mm cartons, Packing detail see the table below
将装好产品的PE袋放入规格为420*270*190mm的纸箱内, 详细包装见下表
- Cartons measured 440*295*415mm contains two cartons of 420*270*190mm, Packing detail see the table below
将装好的纸箱放入440*295*415mm的大纸箱内, 一大箱装2个420*270*190mm小纸箱, 详细包装见下表
- Label depends on customer request, carton opening joint with transparent tape
标签依客户要求而定, 纸箱开口处用透明胶带贴合.
- Carton material: K=K, Carton thickness: 6~7mm
纸箱材质:K=K, 纸箱厚度:6~7mm



胶带ADHESIVE TAPE



标签LABEL

Carton size: 440 * 295 * 415 mm
纸箱规格为:440*295*415mm

Pin位	袋/PCS	内箱/袋	内箱/袋	外箱/袋
2*02	1000	20	20K	40K
2*03				
2*04				
2*05				
2*06				
2*07	500	12	6K	12K
2*08				
2*09				
2*10				
2*11				
2*12				
2*13				
2*14	200	23	4.6K	9.2K
2*15				
2*16				
2*17				
2*18				
2*19				
2*20				

DATE	REV	ECN NO.	DESCRIPTION	MODIFY	APPROVAL

GENERAL TOLERANCE	
.X	±0.35
.XX	±0.25
.XXX	±0.15
X	±0.2

GYA 东莞市国亚电子有限公司
Connectors Dong Guan Guo Ya Connectors co., Ltd.

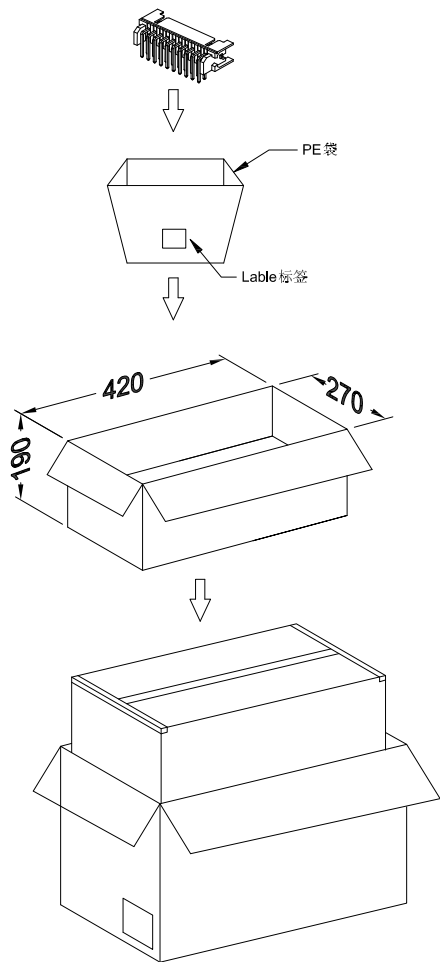
APPROVAL	CHECK	DRAWN	DATE
Yangzhengguo	Yangjinyi	Lvtiansheng	2016/08/26

PART NO. A2004WV-2*XXA1X-9TSN				
TITLE: 2.00mm Housing Packing				
UNIT	SCALE	SHEET	REV	NUMBER
mm	1:1	1/1	A0	A-053

RoHS 包装图

Note注解:

- Put Housing in a PE bag, PE bag gauge for: 240 * 240 * 0.10 mm, Packing detail see the table below
将 Housing放入PE袋内, PE袋规为:240*240*0.10mm, 详细包装见下表
- Put PE bag packed products in specifications of 420 * 270 * 190 mm cartons, Packing detail see the table below
将装好产品的PE袋放入规格为420*270*190mm的纸箱内, 详细包装见下表
- Cartons measured 440*295*415mm contains two cartons of 420*270*190mm, Packing detail see the table below
将装好的小纸箱放入440*295*415mm的大纸箱内, 一大箱装2个420*270*190mm小纸箱, 详细包装见下表
- Label depends on customer request, carton opening joint with transparent tape
标签依客户要求而定, 纸箱开口处用透明胶带贴合.
- Carton material: K=K, Carton thickness: 6~7mm
纸箱材质:K=K, 纸箱厚度:6~7mm



Two little box full of products in a big box
装满产品的两个小纸箱放入一个大纸箱内

胶带ADHESIVE TAPE

标签LABEL

Carton size: 440 * 295 * 415 mm
大纸箱规格为: 440*295*415mm



Pin位	袋/PCS	内箱/袋	内箱/袋	外箱/袋
2*02	1000	20	20K	40K
2*03				
2*04				
2*05				
2*06	500	12	6K	12K
2*07				
2*08				
2*09				
2*10	300	12	3.6K	7.2K
2*11				
2*12				
2*13				
2*14				
2*15				
2*16				
2*17				
2*18				
2*19				
2*20				

DATE	REV	ECN NO.	DESCRIPTION	MODIFY	APPROVAL	GENERAL TOLERANCE	PART NO. A2004WR-2*XXA1X-9TSN								
						.X ±0.35	TITLE: 2.00mm Housing Packing								
						.XX ±0.25	UNIT SCALE SHEET REV NUMBER								
						.XXX ±0.15	APPROVAL	CHECK	DRAWN	DATE	mm	1:1	1/1	A0	A-053
						X° ±0.2	Yangzhengguo	Yangjinyi	Lvtiansheng	2016/08/26					



东莞市国亚电子有限公司
Dong Guan Guo Ya Connectors co., Ltd.

