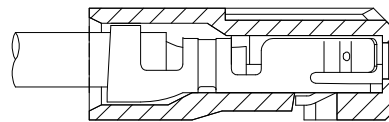
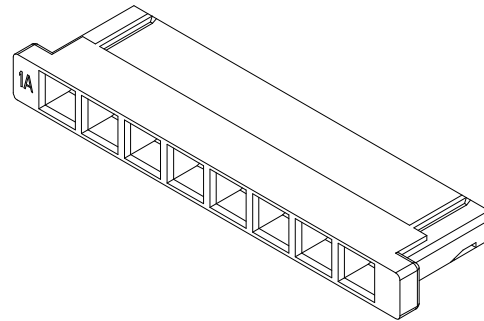
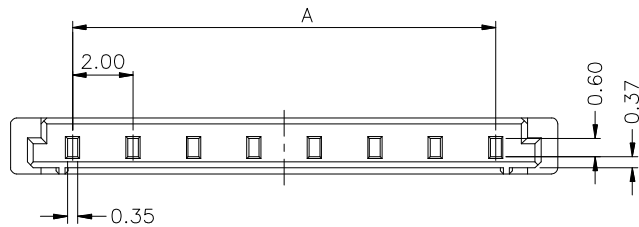
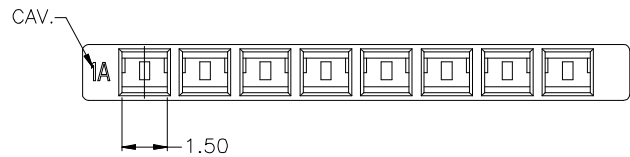
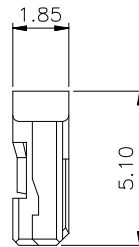
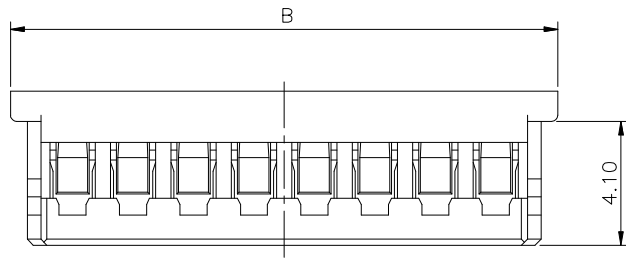


RoHS



ASSEMBLY DRAWING

■ Specifications(规格):

- Voltage rating(额定电压): 150V AC / DC
- Current rating(额定电流): 1A AC / DC
- Withstanding voltage(耐压值): 500V AC/minute
- Temperature range(工作温度): -25°C~+85°C
- Insulation resistance(绝缘电阻): $\geq 500M\Omega$
- Contact resistance(接触电阻): $\leq 20m\Omega$
- After environmental testing(环境测试后): $\leq 40m\Omega$

A2002 H X-XX X-N0 XX

① ② ③ ④ ⑤ ⑥ ⑦

- ① 系列
- ② 类别:
H-HSG
- ③ 外观形态:
空码-普通
- ④ PIN数或防呆KEY形态:
单排-XX
- ⑤ 塞PIN及特殊码
- ⑥ 材质:
N0-PA66 UL94V-0
- ⑦ 颜色:
空码-本色或普通色

Poles	DIMENSION(mm)	
	A	B
2	2.00	6.75
3	4.00	8.65
4	6.00	10.55
5	8.00	12.45
6	10.00	14.35
7	12.00	16.25
8	14.00	18.15
9	16.00	20.05
10	18.00	21.95
11	20.00	23.85
12	22.00	25.75
13	24.00	27.65
14	26.00	29.55
15	28.00	31.45



A2002H-XX-N0	PA66 UL 94V-0	A2002T	A2002W	1,000Pcs
PART NO	Material	Suitable GYA Terminal	Mates With GYA Wafer	Q' ty/Bag

GENERAL TOLERANCE	
.X	±0.30
.XX	±0.20
.XXX	±0.10
X.°	±2°



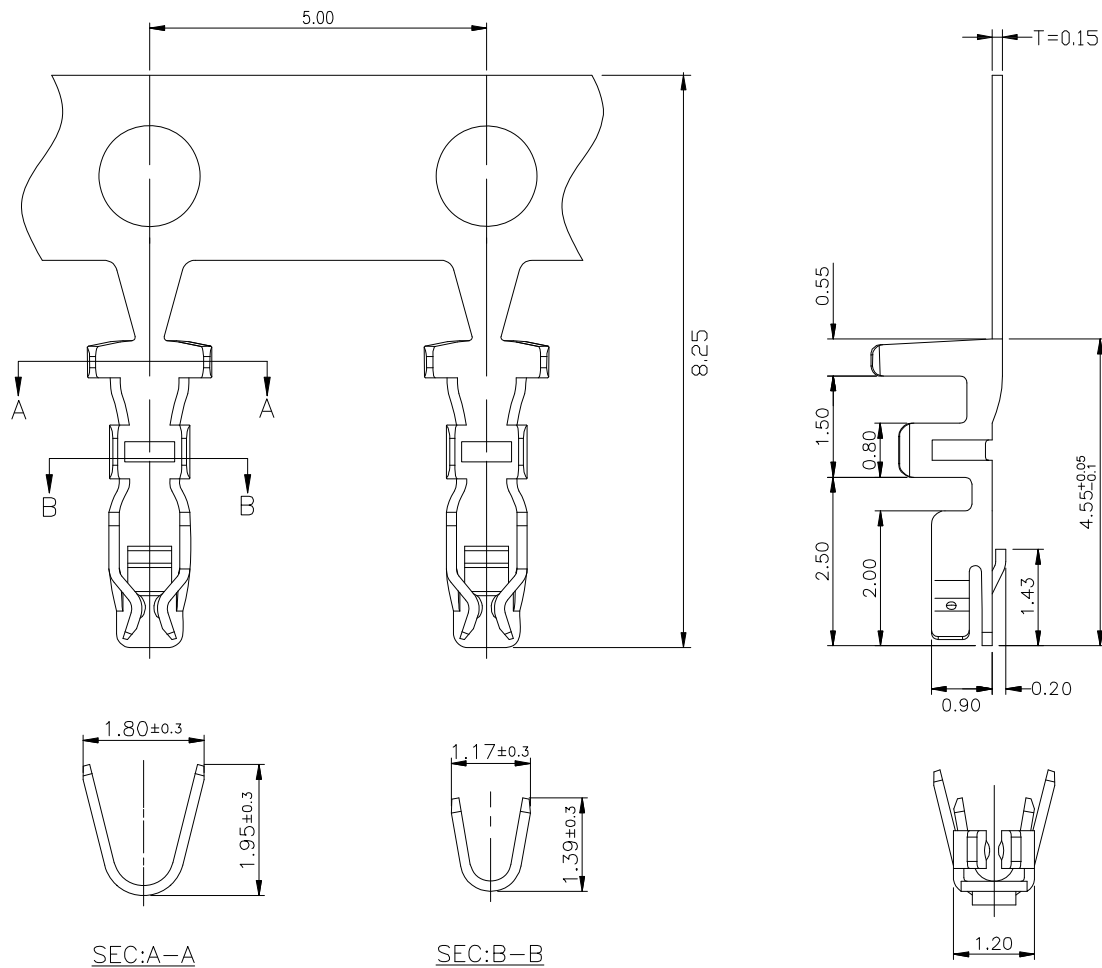
东莞市国亚电子有限公司
Dong Guan Guo Ya Connectors co., Ltd.

APPROVAL	CHECK	DRAWN	DATE
Yangzhengguo	Yangjiyinyi	Lvtiansheng	2016/08/26

PART NO. A2002H-XXX				
TITLE 2.00mm Crimp Style Connectors				
UNIT	SCALE	SHEET	REV	NUMBER
mm	1:1	1/3	A0	A-000

DATE	REV	ECN NO.	DESCRIPTION	MODIFY	APPROVAL

RoHS



■ Specifications(规格):

- Voltage rating(额定电压): 250V AC / DC
- Current rating(额定电流): 3A AC / DC
- Withstanding voltage(耐压值): 1000V AC/minute
- Temperature range(工作温度): -25°C~+85°C
- Insulation resistance(绝缘电阻): ≥1000MΩ
- Contact resistance(接触电阻): ≤30mΩ
- After environmental testing(环境测试后): ≤20mΩ

A2002 T X-P VX-X X

① ② ③ ④ ⑤ ⑥ ⑦

- ①系列
- ②类别:
T-端子
- ③外观形态:
空码-普通脚
- ④材质:
P-磷铜
- ⑤电镀类别: G**-镀金 V**-镀全金
*01-1U"
- ⑥电镀方式:
空码-先冲后镀
- ⑦特殊码:



A2002T-PV01	Phosphor Bronze	AWG#26-30	1.40mm(Max)	Stamping Before Pating:30~50u" Ni;Whole Gold :1u" Min.	A2002H	15,000Pcs
PART NO	Material	Wire Range	Insulation O.D.	Finish	Used In GYA Housing	Q' ty/Reel

					<p>GENERAL TOLERANCE</p> <p>.X ±0.30</p> <p>.XX ±0.20</p> <p>.XXX ±0.10</p> <p>X.° ±2°</p>		<p>GYA 东莞市国亚电子有限公司</p> <p>Connectors Dong Guan Guo Ya Connectors co., Ltd.</p>		<p>PART NO.</p> <p>A2002T-XXX</p>		
					<p>PROJECT</p> <p>Yangzhengguo Yangjinyi Lvtiensheng</p>		<p>APPROVAL</p> <p>DATE</p> <p>2016/08/26</p>		<p>TITLE</p> <p>2.00mm CrImp Style Connectors</p>		
DATE	REV	ECN NO.	DESCRIPTION	MODIFY	APPROVAL	UNIT	SCALE	SHEET	REV	NUMBER	
1		2	3	4	5	mm	1:1	1/3	A0	A-000	