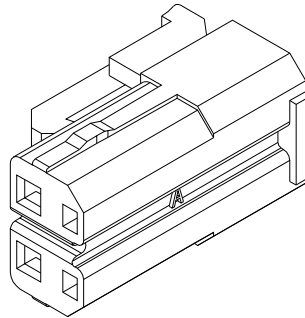
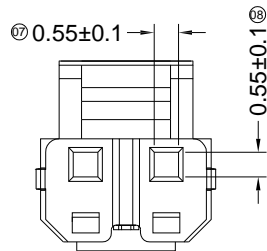
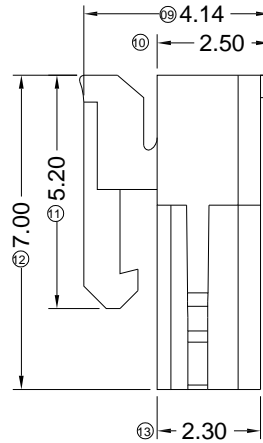
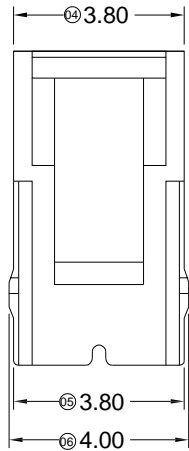
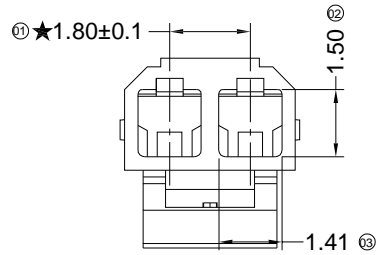


RoHS



**Specifications :**

- Voltage rating: 350V AC / DC
- Current rating: 3.2A AC / DC
- Withstanding voltage: 1700V AC/minute
- Temperature range: -40° ~+105°
- Insulation resistance: ≥1000MΩ
- Contact resistance: ≤10mΩ
- After environmental testing: ≤20mΩ
- "★"represents special characteristics
- "☆"represents critical characteristics



A1801H F-1x02-N0 N B R 01 Q

① ②③ ④ ⑤ ⑥⑦⑧⑨ ⑩

- ① Series No: A1801
- ② Category: H-HSG
- ③ Product Form Coding: F-Female HSG
- ④ PIN Number.: 02 Pin;
- ⑤ Material : N0-PA66
- ⑥ Color code: N-White natural color
- ⑦ Packaging Code:B-in bags
- ⑧ Environmental Code:R-ROHS
- ⑨ Fluid code:01-99
- ⑩ Car and non-vehicle codes:Q

A1801HF-1x02-N0NBR01Q	Nylon 66 UL 94V-0	A1801T-P08SH-01Q	A1801WRS-1x02-LPNB05BR001Q
PART NO	Material	Suitable GYA Terminal	Suitable GYA Wafer

GENERAL TOLERANCE
.X ±0.35
.XX ±0.25
.XXX ±0.15
X.° ±2°
PROJECT

**GYA** 东莞市国亚电子有限公司  
Dong Guan Guo Ya Connectors co., Ltd.

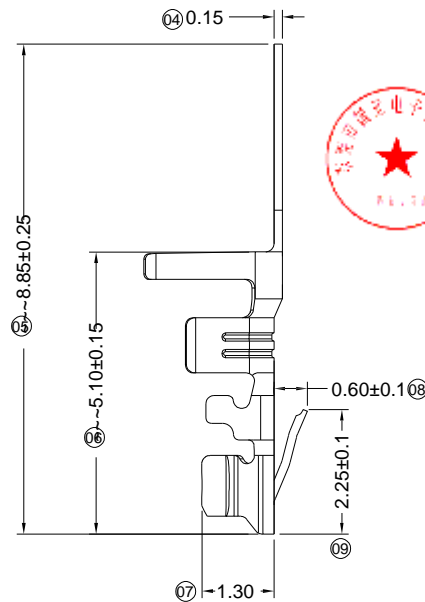
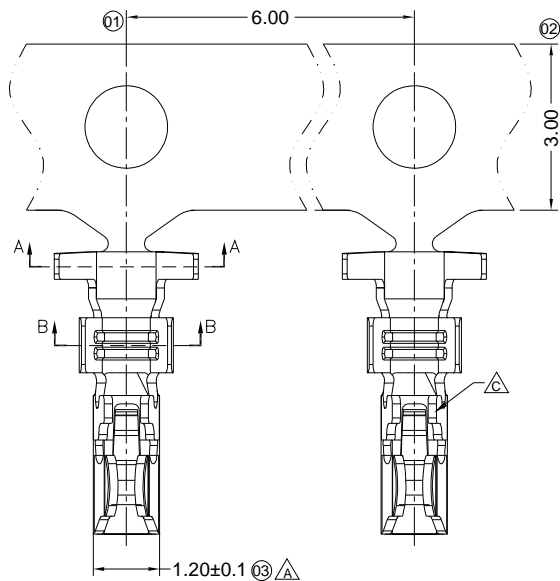
APPROVAL	CHECK	DRAWN	DATE
Yangzhengguo	Yangjinyi	Lvtiansheng	2016/08/26

PART NO.				
A1801HF-1x02-N0NBR01Q				
TITLE				
1.80mm Pitch connector housing				
UNIT	SCALE	SHEET	REV	NUMBER
mm	1:1	1/1	A0	A-022

DATE	REV	ECN NO.	DESCRIPTION	MODIFY	APPROVAL
1					

1 2 3 4 5 6 7 8

RoHS

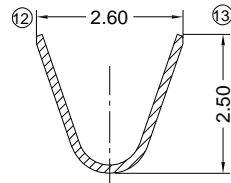
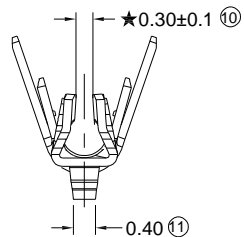


■ Specifications :

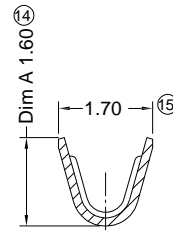
- Voltage rating: 350V AC / DC
- Current rating: 3.2A AC / DC
- Withstanding voltage: 1700V AC/minute
- Temperature range: -40° ~+105°
- Insulation resistance: ≥1000MΩ
- Contact resistance: ≤10mΩ
- After envmental testing: ≤20mΩ
- " ★ "represent special characterical dimension

A1801 T - P 08 S H - 01 Q  
① ② ③ ④ ⑤ ⑥ ⑦ ⑧

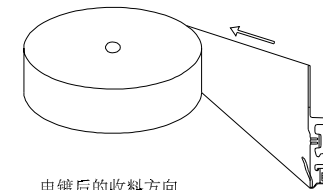
- ① Series Number: A1801
- ② Category: T - Terminal
- ③ Material: P - Phosphor bronzc
- ④ Plating style: 08 - Ni50u~100u", Sn100~180u"
- ⑤ High: H - Dim A =1.60mm (AWG 24~22/ 0.205~0.326mm<sup>2</sup>) )
- ⑥ Electroplating way: S - Stamping Before Plating
- ⑦ Fluid code: 01-99
- ⑧ Non-vehicle codes: Q - Car



SECTION:A-A  
1:1



SECTION:B-B  
1:1



电镀后的收料方向  
(打线开口朝外)

A

DATE	REV	ECN NO.	DESCRIPTION	MODIFY	APPROVAL
1					
2					
3					
4					

GENERAL TOLERANCE
.X ±0.35
.XX ±0.25
.XXX ±0.15
X.° ±2°
PROJECT



东莞市国亚电子有限公司  
Dong Guan Guo Ya Connectors co., l td.

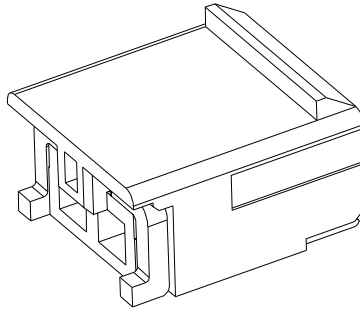
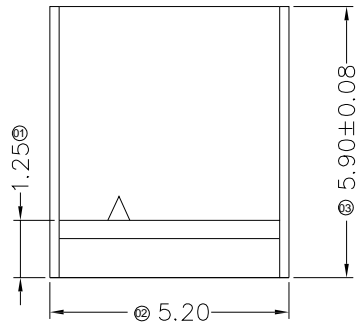
APPROVAL	CHECK	DRAWN	DATE
Yangzhengguo	Yangjinyi	Lvtiansheng	2016/08/26

PART NO.				
A1801T-P08SH-01Q				
TITLE				
1.80mm Crimp Style Connectors				
UNIT	SCALE	SHEET	REV	NUMBER
mm	1:1	1/1	A0	A-200

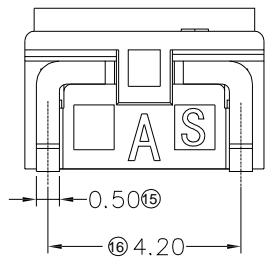
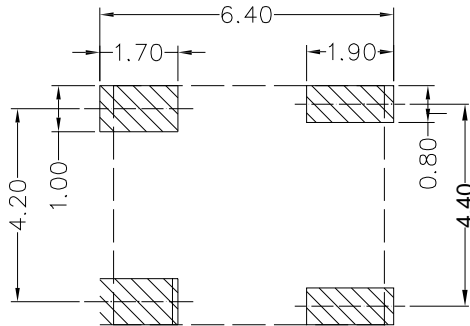
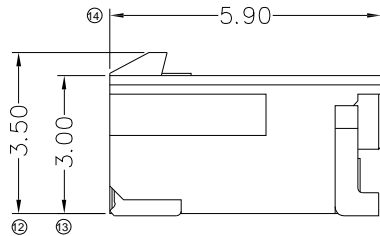
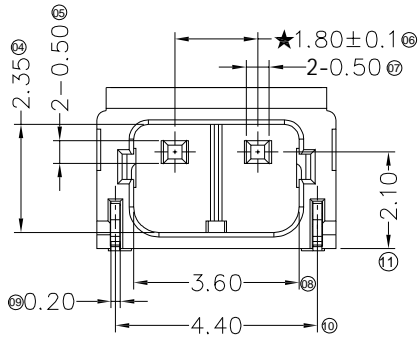
1 2 3 4 5 6 7 8

A

RoHS



- Specifications :
- Voltage rating: 350V AC / DC
  - Current rating: 3.2A AC / DC
  - Withstanding voltage: 1700V AC/minute
  - Temperature range: -40° ~+105°
  - Insulation resistance: ≥1000MΩ
  - Contact resistance: ≤10mΩ
  - After environmental testing: ≤20mΩ
  - "★"represents special characteristics
  - "☆"represents critical characteristics



A1801 W R S-1x02-LP N B 05 R R 001 Q

① ② ③ ④ ⑤ ⑥ ⑦ ⑧ ⑨ ⑩ ⑪ ⑫ ⑬

- ① Series No.A1801
- ② Category: W-Wafer
- ③ Connector Type: R-Right Angle 90°
- ④ Mounting Type: S-SMT
- ⑤ Row No.-Pin No: 1x02Pin
- ⑥ Plastic material: LP -LCP 94V-0
- ⑦ Color code : N -natural colour
- ⑧ Hardware; B-Brass
- ⑨ Electroplating code:05-Matte Tin
- ⑩ Packaging code:R;
- ⑪ Environmental Code:R-R0HS;
- ⑫ Fluid code: 001-100;
- ⑬ Car code:Q.



Recommended P.C.B Layout  
General Tolerance±0.05

A1801WRS-1x02-LPNB05RR001Q	LCP UL 94V-0	Brass	Stamping Before Plating:50u" Ni;100u"Sn	A1801HF-1x02-N0NBR01Q
PART NO	Material	Material (Pin&Solder tab)	Finish(Pin)	Mates With GYA Housing

GENERAL TOLERANCE
.X ±0.30
.XX ±0.20
.XXX ±0.10
X.° ±2°
PROJECT

**GYA** 东莞市国亚电子有限公司  
Connectors Dong Guan Guo Ya Connectors co., l td.

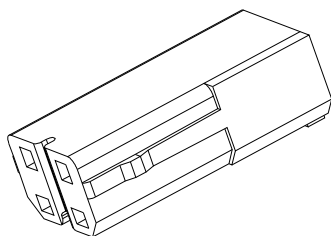
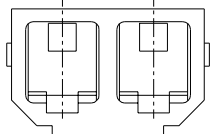
APPROVAL	CHECK	DRAWN	DATE
Yangzhengguo	Yangjinyi	Lvtiansheng	2016/08/26

PART NO. A1801WRS-1x02-LPNB05RR001Q				
TITLE 1.80mm Pitch connector Wafer				
UNIT	SCALE	SHEET	REV	NUMBER
mm	1:1	1/1	A0	A-000

DATE	REV	ECN NO.	DESCRIPTION	MODIFY	APPROVAL

RoHS

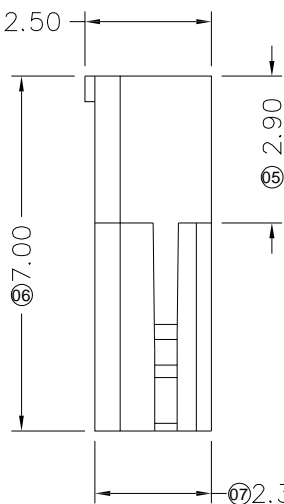
① 1.800



■ Specifications :

- Voltage rating: 350V AC / DC
- Current rating: 3.2A AC / DC
- Withstanding voltage: 1700V AC/minute
- Temperature range: -40° ~+105°
- Insulation resistance: ≥1000MΩ
- Contact resistance: ≤10mΩ
- After environmental testing: ≤20mΩ
- Suitable GYA Terminal:A1801TX-PSN-A
- Suitable GYA Wafer:A1801WRS-02

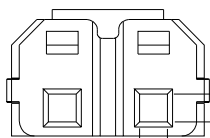
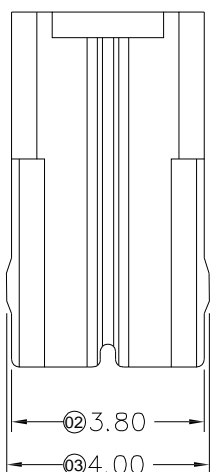
④ 2.50



A1801 H X-02 XX-N0 HF

① ② ③ ④ ⑤ ⑥ ⑦

- ① Series No.
- ② Category: H-HSG
- ③ Welding Board Angle: Blank-ordinary
- ④ Row No.-Pin No.: 02-02P
- ⑤ Special No.:
- ⑥ Material: N0-PA66 94V-0
- ⑦ HF-Halogen Free



A

GENERAL TOLERANCE

.X	±0.30
.XX	±0.20
.XXX	±0.10
X.°	±2°



东莞市国亚电子有限公司  
Dong Guan Guo Ya Connectors co.,l td.

PART NO.

A1801H-02-N0HF

TITLE

1.80mm Crimp Style Connectors

UNIT	SCALE	SHEET	REV	NUMBER
mm	1:1	1/1	A0	A-022

APPROVAL	CHECK	DRAWN	DATE
Yangzhengguo	Yangjinyi	Lvtiansheng	2016/08/26

PROJECT



DATE	REV	ECN NO.	DESCRIPTION	MODIFY	APPROVAL
1					

1

2

3

4

5

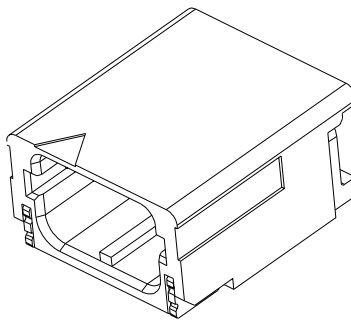
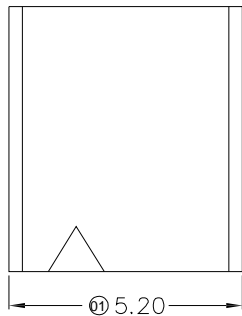
6

7

8

A

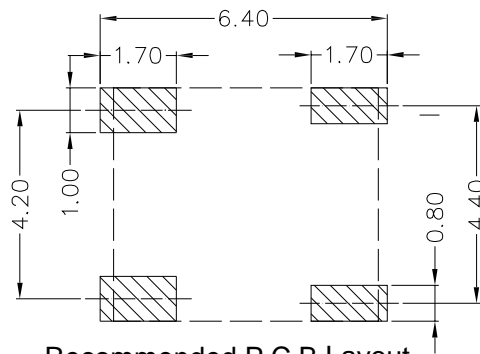
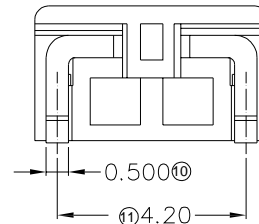
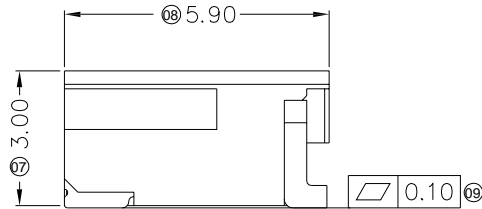
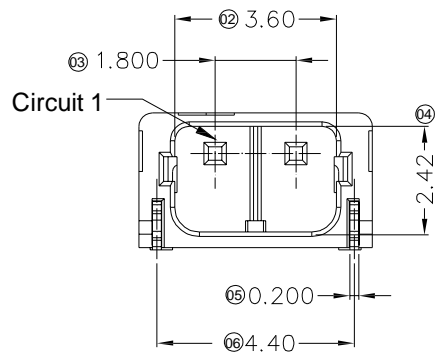
RoHS



■ Specifications :

- Voltage rating: 350V AC / DC
- Current rating: 3.2A AC / DC
- Withstanding voltage: 1700V AC/minute
- Temperature range: -40° ~+105°
- Insulation resistance: ≥1000MΩ
- Contact resistance: ≤10mΩ
- After environmental testing: ≤20mΩ

- Material(Pin&Solder tab):Brass
- Mates With GYA Housing:A1801H-02



Recommended P.C.B Layout  
General Tolerance±0.05

A1801 W R S-02 X -LP SW XX

- ① Series No.
- ② Category: W-WAFER
- ③ Connector Type: R-Right Angle 90°
- ④ Mounting Type.: S-SMT
- ⑤ Row No.-Pin No.: 02-02P
- ⑥ Special No.: Blank-Without Lock
- ⑦ Material: LP -LCP 94V-0
- ⑧ Plating Category:  
SW- 50u"Min Ni 、 100u"Min Matte Tin
- ⑨ Color : Blank-Natural Color



					GENERAL TOLERANCE .X ±0.30 .XX ±0.20 .XXX ±0.10 X.° ±2°				<b>GYA</b> 东莞市国亚电子有限公司 Connectors Dong Guan Guo Ya Connectors co.,ltd.				PART NO. A1801WRS-02-LPSW							
					APPROVAL Yangzhengguo				CHECK Yangjinyi				DRAWN Lvtiansheng				DATE 2016/08/26			
					PROJECT 								TITLE 1.80mm Crimp Style Connectors							
DATE	REV	ECN NO.	DESCRIPTION	MODIFY	APPROVAL					UNIT	SCALE	SHEET	REV	NUMBER						
										mm	1:1	1/1	A0	A-000						