

RoHS

包装图

Note注解:

1. Put Housing in a PE bag, PE bag gauge for: 130 * 135 * 0.10 mm, Packing detail see the table below

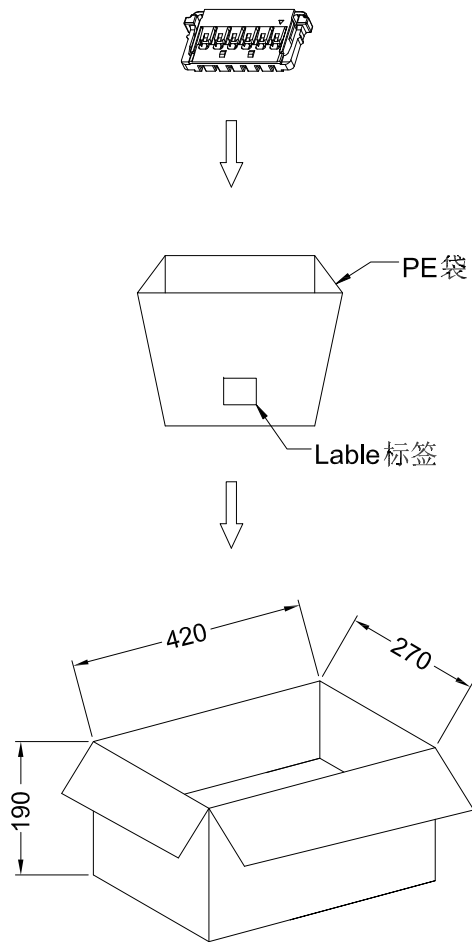
将 Housing放入PE袋内, PE袋规为: 130*135*0.10mm, 详细包装见下表

2. Put PE bag packed products in specifications of 420 * 270 * 190 mm cartons, Packing detail see the table below

将装好产品的PE袋放入规格为420*270*190mm的纸箱内, 详细包装见下表

3. Label depends on customer request, carton opening joint with transparent tape

标签依客户要求而定, 纸箱开口处用透明胶带贴合.



胶带ADHESIVE TAPE

标签LABEL



Poles	Bag PCS	CARTON Bag	CARTON PCS
02	1000	65	65K
03	1000	60	60K
04	1000	60	60K
05	1000	55	55K
06	1000	55	55K
07	1000	50	50K
08	1000	50	50K
09	1000	45	45K
10	1000	45	45K
11	1000	40	40K
12	1000	40	40K

GENERAL TOLERANCE

.X ±0.35

.XX ±0.25

.XXX ±0.15

X° ±0.2°

视角



东莞市国亚电子有限公司

Dong Guan Guo Ya Connectors co., Ltd.

APPROVAL

CHECK

DRAWN

DATE

Yangzhengguo

Yangjinyi

Lvtiansheng

2016/08/26

PART NO.:

A1503H-XX-XX

TITLE:

1.50mm Housing Package

UNIT

SCALE

SHEET

REV

NUMBER

mm

1:1

1/1

A0

A-000

DATE

REV

ECN NO.

DESCRIPTION

MODIFY

APPROVAL

1

2

3

4

5

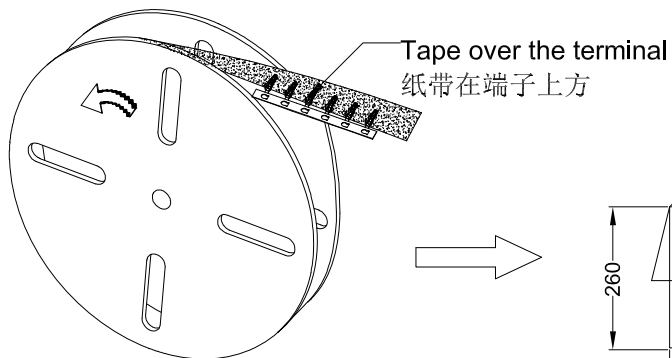
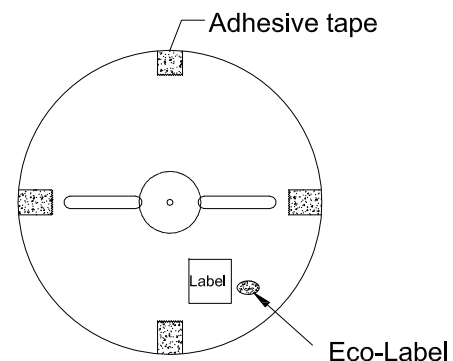
6

7

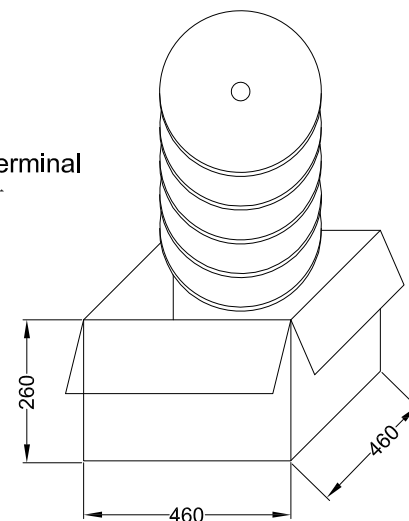
8

RoHS

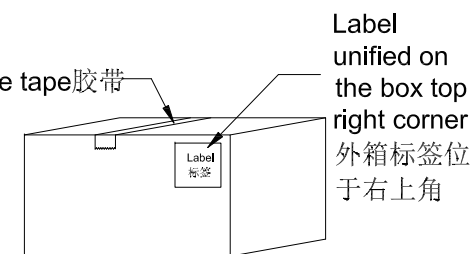
包装图



卷装方式
Package way



Adhesive tape 胶带



Note 注解:

1. Quantity 数量:

10K PCS/REEL 一卷10K/PCS

10 REEL/BOX 一箱10卷

100K PCS/BOX 一箱100K/PCS

2. Each reel and outer box must be labeled and Eco-Label Respectively labeled

每盘和外箱都必须有标签及环保标签分别标示

3. Terminal winding direction as shown

端子缠绕方向如左图所示

4. There shall be no dirt such as deformation phenomenon, Mantissa box fillers must be used

每箱不可有脏污, 变形现象, 尾数箱必须用填充物

GENERAL TOLERANCE

.X ±0.35

.XX ±0.25

.XXX ±0.15

X.° ±0.2°

视 角

GYA
Connectors

东莞市国亚电子有限公司

Dong Guan Guo Ya Connectors co., ltd.

APPROVAL

Yangzhengguo

CHECK

Yangjinyi

DRAWN

Lvtiansheng

DATE

2016/08/26

PART NO.:

A1503T-XXX

TITLE:

1.50mm Terminal Packing

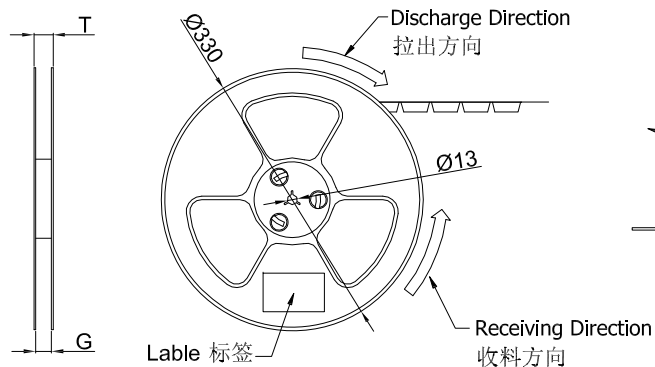
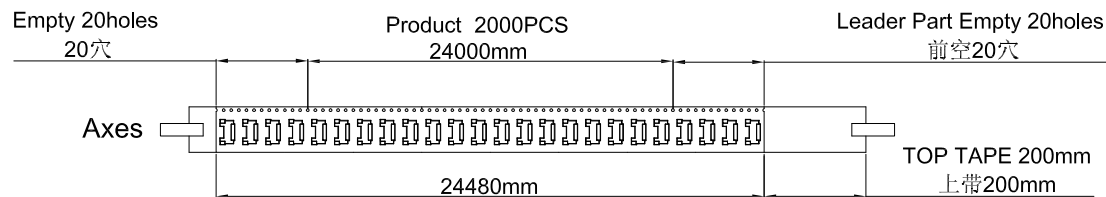
UNIT SCALE SHEET REV NUMBER

mm 1:1 1/1 A0 A-159

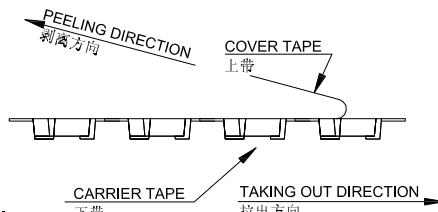
DATE	REV	ECN NO.	DESCRIPTION	MODIFY	APPROVAL
1					
2					
3					
4					

RoHS

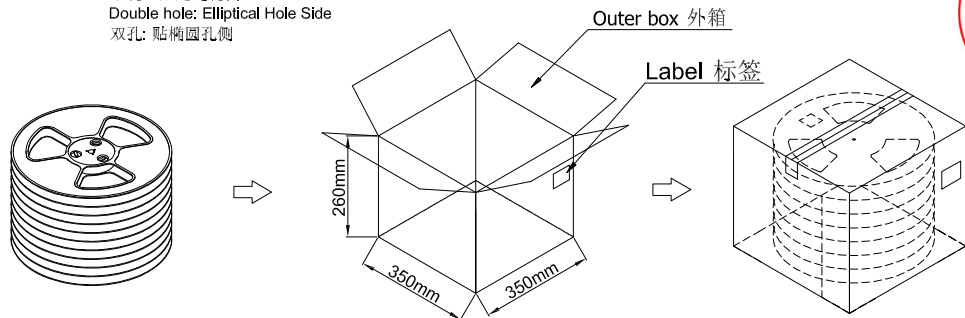
包装图



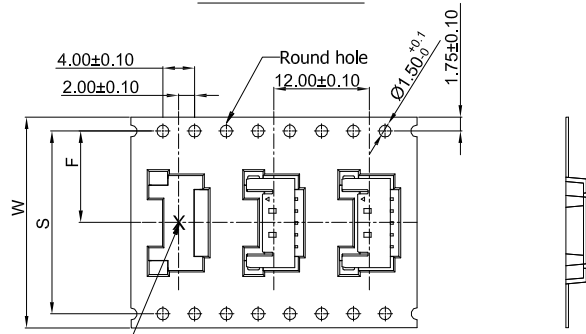
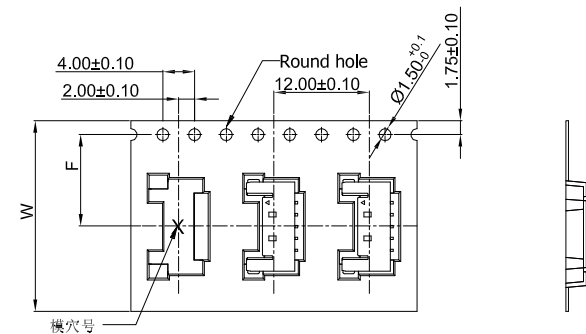
COVER TAPE PEEL STRENGTH:20~120g
 上带剥离力量: 20~120g
 速度 PEEL SPEED:300mm/minute



Single hole: None Hole Side
 单孔: 贴无链孔侧
 Double hole: Elliptical Hole Side
 双孔: 贴椭圆孔侧



- Note:
- Carrier Camber Is Within 1mm In 250mm; 带长250mm内容许弯曲度1mm
 - 10 Sprocket Hole Pitch Cumulative Tolerance±0.2MM; 圆孔十个孔距累计允许公差为±0.2mm
 - Carrier tape material for PS; 下带材质为PS材质; Color 颜色:Natural 透明色, 无卤
 - bracer保护带; Color 颜色:Natural 透明色, 厚度0.40mm最小
 - Thickness=0.30±0.05; 材料厚度为0.30±0.05mm
 - Carton material 纸箱材质:K=K; Carton Thickness 纸箱厚度: 6~7mm



Pin No.	W	S	F	T	G	Cover Tape(宽度) 上带(W)	Carrier Tape(Color) 下带(颜色)	REEL /PCS	CARTON /R	CARTON /PCS
A1503WRS-02	16	-	7.50	20.50	16.50	11.3	透明色	2000	11R	22000
A1503WRS-03	24	-	11.50	28.50	24.50	21.3	透明色	2000	8R	16000
A1503WRS-04										
A1503WRS-05										
A1503WRS-06										
A1503WRS-07	32	28.4	14.20	36.50	32.50	25.5	透明色	2000	6R	12000
A1503WRS-08										
A1503WRS-09										
A1503WRS-10	32	28.4	14.20	36.50	32.50	25.5	透明色	2000	6R	12000
A1503WRS-11										
A1503WRS-12										

DATE	REV	ECN NO.	DESCRIPTION	MODIFY	APPROVAL
1					

GENERAL TOLERANCE	
.X	±0.35
.XX	±0.25
.XXX	±0.15
X°	±0.2°

GYA 东莞市国亚电子有限公司
 Connectors Dong Guan Guo Ya Connectors co., Ltd.

APPROVAL	CHECK	DRAWN	DATE
Yangzhengguo	Yangjinyi	Lvtiansheng	2016/08/26

PART NO.:				
A1503WRS-XX-XXXX				
TITLE:				
1.50mm SMT 90° Package				
UNIT	SCALE	SHEET	REV	NUMBER
mm	1:1	1/1	A0	A-159