

RoHS

包装图

Note 注解:

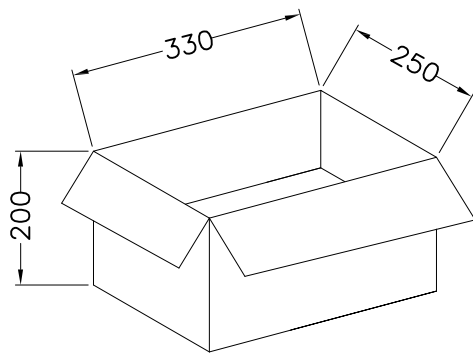
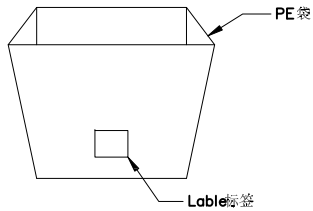
1. Put Housing in a PE bag, PE bag gauge for: 130*135*0.10mm, Packing detail see the table below

将 Housing 放入PE袋内, PE袋规为: 130*135*0.10mm, 详细包装见下表

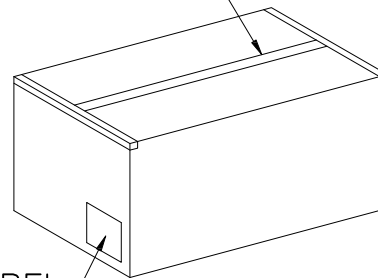
2. Put PE bag packed products in specifications of 330*250*300mm cartons, Packing detail see the table below

将装好产品的PE袋放入规格为330*250*200mm 的纸箱内, 详细包装见下表

3. Label depends on customer request, carton opening joint with transparent tape
 标签依客户要求而定, 纸箱开口处用透明胶带贴合.



胶带 ADHESIVE TAPE



Poles	Bag PCS	CARTON Bag	CARTON PCS
02	1000	75	75K
03	1000	75	75K
04	1000	75	75K
05	1000	75	75K
06	1000	75	75K
07	1000	75	75K
08	1000	75	75K
09	1000	75	75K
10	1000	75	75K
11	1000	75	75K
12	1000	75	75K
13	1000	75	75K
14	1000	75	75K
15	500	30	30K

GENERAL TOLERANCE	
.X	±0.30
.XX	±0.20
.XXX	±0.10
X.	±0.2°



东莞市国亚电子有限公司
 Dong Guan Guo Ya Connectors co., Ltd.

PART NO.: A1501H-XX-XXHF

APPROVAL CHECK DRAWN DATE

TITLE: 1.50mm Housing Package

Yangzhengguo Yangjingyi Lvtiensheng 2016/08/26

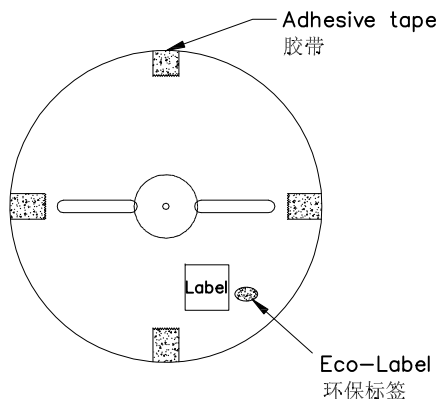
UNIT SCALE SHEET REV NUMBER
 mm 1:1 1/1 A0 XXXX

DATE	REV	ECN NO.	DESCRIPTION	MODIFY	APPROVAL
------	-----	---------	-------------	--------	----------

1 2 3 4 5 6 7 8

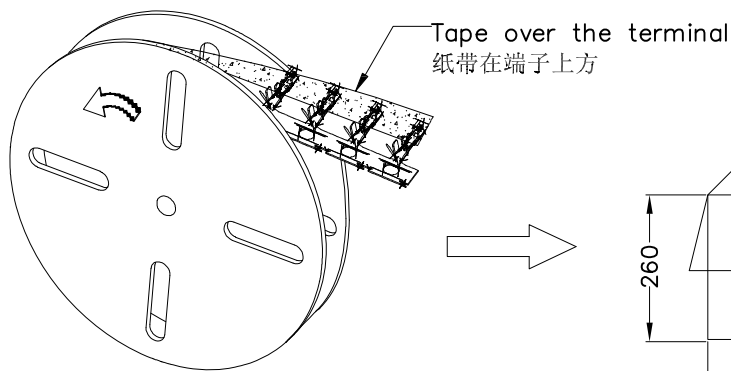
RoHS

包装图

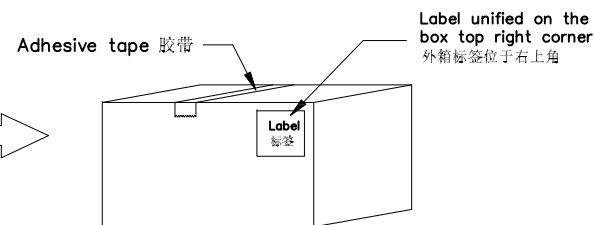
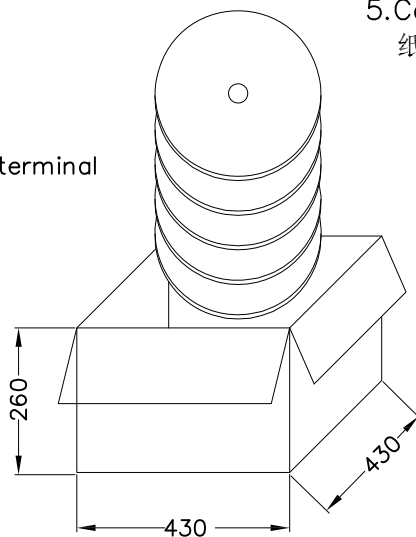


Note 注解:

- Quantity 数量:
10K PCS/REEL 一卷10K/PCS
10 REEL/BOX 一箱10卷
100K PCS/BOX 一箱100K/PCS
- Each reel and outer box must be labeled and Eco-Label Respectively labeled
每盘和外箱都必须有标签及环保标签分别标示
- Terminal winding direction as shown
端子缠绕方向如左图所示
- There shall be no dust as deformation phenomenon, Mantissa box fillers must be used
每箱不可有脏污, 变形现象, 尾数箱必须用填充物
- Carton material : K=K, Carton thickness : $6\pm 1\text{mm}$
纸箱材质: K=K 纸箱厚度: $6\pm 1\text{mm}$



卷装方式
Package way



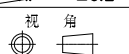
GENERAL TOLERANCE

.X ± 0.30

.XX ± 0.20

.XXX ± 0.10

X. $\pm 0.2^\circ$



GYA
Connectors

东莞市国亚电子有限公司
Dong Guan Guo Ya Connectors co., Ltd.

APPROVAL

CHECK

DRAWN

DATE

Yangzhengguo

Yangjingyi

Lvtiansheng

2016/08/26

PART NO.:

A1501T-XXX-XX

TITLE:

1.50mm Terminal Packing

UNIT

SCALE

SHEET

REV

NUMBER

mm

1:1

1/1

A0

A-014

DATE

REV

ECN NO.

DESCRIPTION

MODIFY

APPROVAL

1

2

3

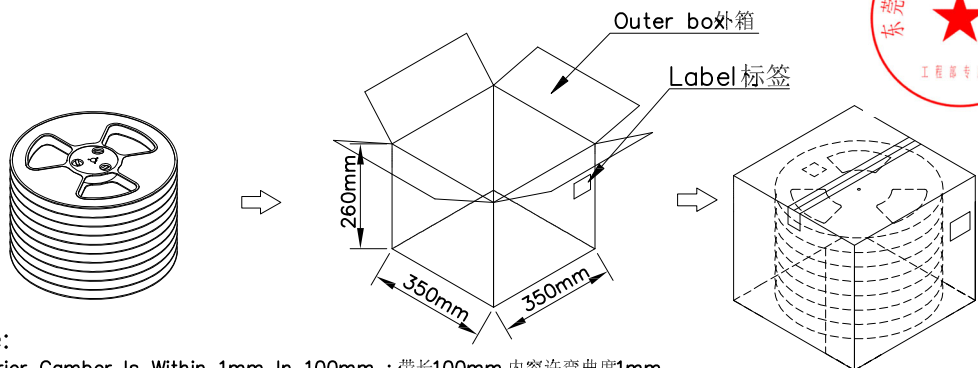
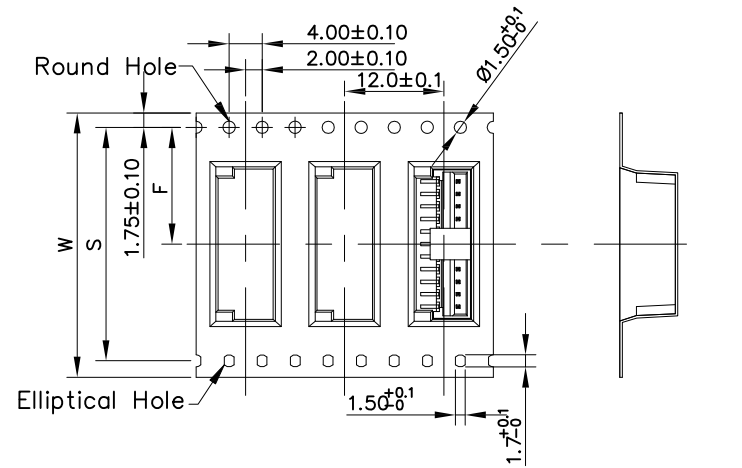
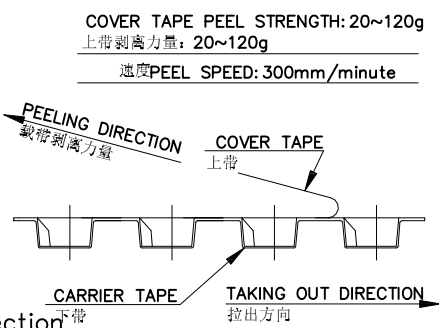
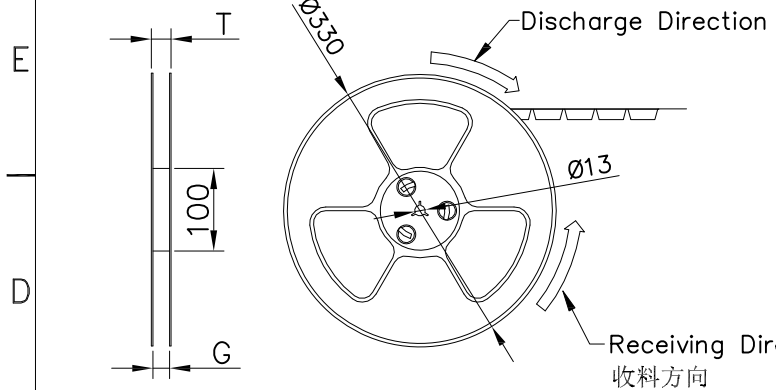
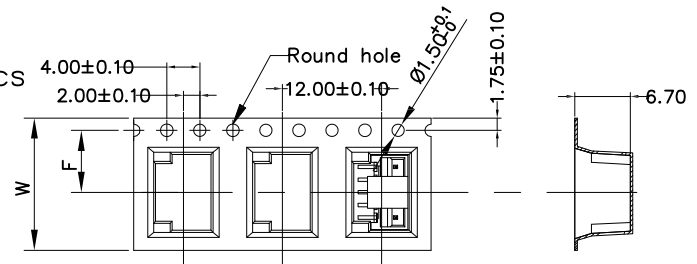
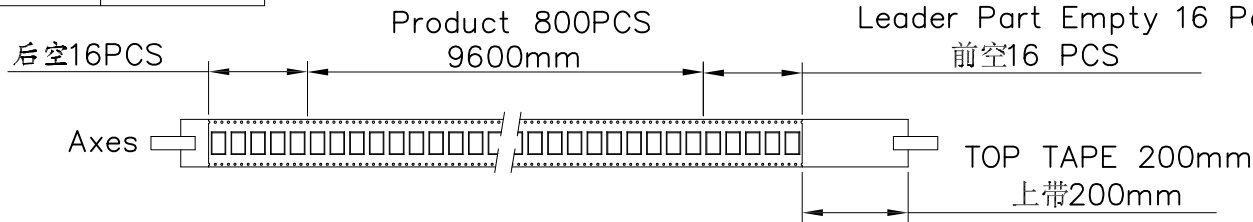
4

5

6

7

8



Note:

- Carrier Camber Is Within 1mm In 100mm ; 带长100mm 内容许弯曲度1mm
- 10 Sprocket Hole Pitch Cumulative Tolerance±0.2MM ; 圆孔十个孔距离累计允许公差为±0.2mm
- Carrier tape material for PS ; 下带材质为PS材质; Color 颜色: Natural 透明色无卤
- bracer 保护带: Color 颜色: Natural 透明色, 厚度0.40mm 最小
- Thickness=0.40±0.05 ; 材料厚度为0.40±0.05mm
- Carton material 纸箱材质: K=K; Carton Thickness 纸箱厚度: 6±1mm

	Pin No.	W	S	F	T	G	REEL /PCS	CARTON /R	CARTON /PCS
A1501WVS-XX-LPSW	A1501WVS-02	16	/	7.50	20.50	16.40	800	11R	8800
	A1501WVS-03								
	A1501WVS-04								
	A1501WVS-05								
	A1501WVS-06	24	/	11.50	28.50	24.40	800	8R	6400
	A1501WVS-07								
	A1501WVS-08								
	A1501WVS-09								
	A1501WVS-10								
	A1501WVS-11	32	28.40	14.20	36.50	32.40	800	6R	4800
	A1501WVS-12								
	A1501WVS-13								
	A1501WVS-14	44	40.40	20.20	48.50	44.40	800	5R	4000
	A1501WVS-15								
	A1501WVS-XXZ-LPSW	A501WVS-06Z	24	/	11.50	28.50	24.40	500	8R

DATE	REV	ECN NO.	DESCRIPTION	MODIFY	APPROVAL
1					
2					
3					
4					

GENERAL TOLERANCE
.X ±0.30
.XX ±0.20
.XXX ±0.10
X. ±0.2°

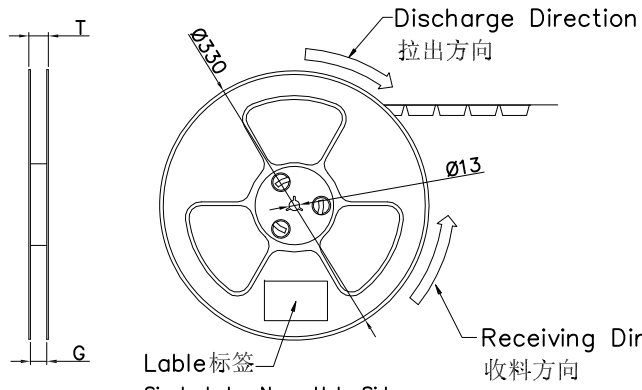
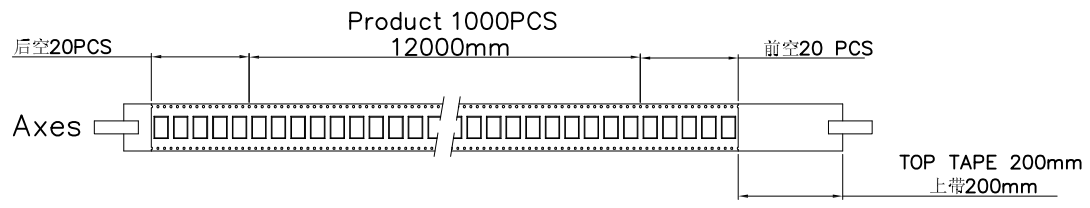
视角

GYA 东莞市国亚电子有限公司
Connectors Dong Guan Guo Ya Connectors co., Ltd.

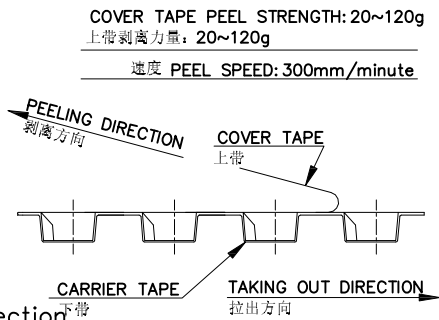
APPROVAL: Yangzhengguo
CHECK: Yangjingyi
DRAWN: Lviansheng
DATE: 2016/08/26

PART NO.: A1501WVS-XX-LPSWX
TITLE: 1.50mm SMT 180° Packing

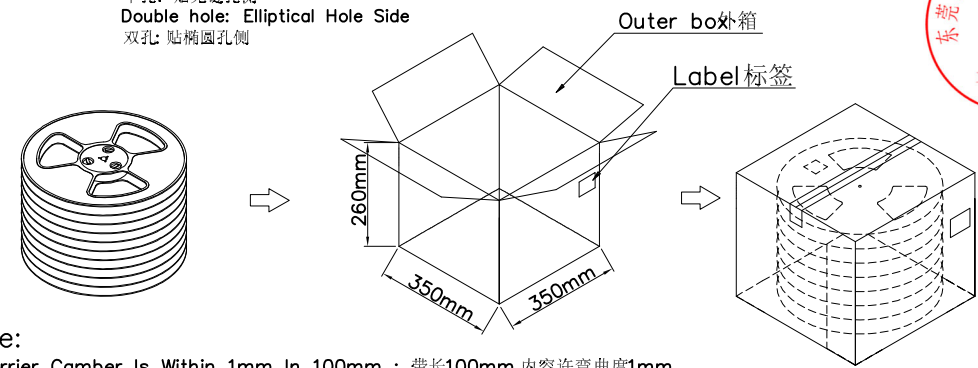
UNIT	SCALE	SHEET	REV	NUMBER
mm	1:1	1/1	A0	A-106



Lable 标签
 Single hole: None Hole Side
 单孔: 贴无链孔侧
 Double hole: Elliptical Hole Side
 双孔: 贴椭圆孔侧

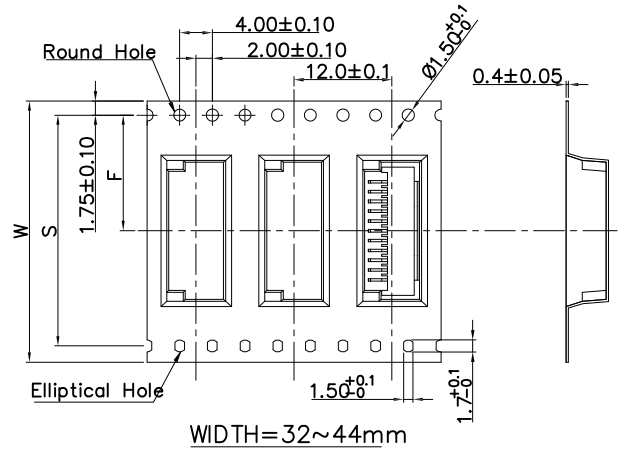
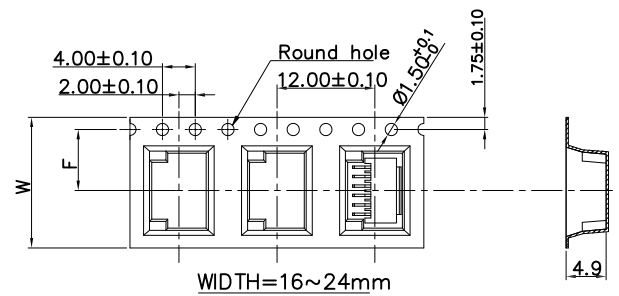


COVER TAPE PEEL STRENGTH: 20~120g
 上带剥离力量: 20~120g
 速度 PEEL SPEED: 300mm/minute



Note:

- Carrier Camber is Within 1mm In 100mm ; 带长100mm 内容许弯曲度1mm
- 10 Sprocket Hole Pitch Cumulative Tolerance±0.2MM ; 圆孔十个孔距离累计允许公差为±0.2mm
- Carrier tape material for PS ; 下带材质为PS材质; Color 颜色: Natural 透明无色
- bracer 保护带; Color 颜色: Natural 透明无色, 厚度0.40mm 最小
- Thinkness=0.40±0.05 ; 材料厚度为0.40±0.05mm
- Carton material 纸箱材质:K=K; Carton Thickness 纸箱厚度: 6±1mm



	Pin No.	W	S	F	T	G	REEL /PCS	CARTON /R	CARTON /PCS
A1501WRS-XX-LPSWX	A1501WRS-02	16	/	7.50	20.50	16.40	1000	11R	11000
	A1501WRS-03								
	A1501WRS-04								
	A1501WRS-05								
	A1501WRS-06	24	/	11.50	28.50	24.40	1000	8R	8000
	A1501WRS-07								
	A1501WRS-08								
	A1501WRS-09								
	A1501WRS-10								
	A1501WRS-11	32	28.40	14.20	36.50	32.40	1000	6R	6000
	A1501WRS-12								
	A1501WRS-13								
	A1501WRS-14	44	40.40	20.20	48.50	44.40	1000	5R	5000
	A1501WRS-15								
	A1501WRS-06-LPSWZ	A1501WRS-06Z	24	/	11.50	28.50	24.40	1000	8R
A1501WRS-09-LPSWZ	A1501WRS-09Z								

DATE	REV	ECN NO.	DESCRIPTION	MODIFY	APPROVAL
1					
2					
3					
4					

GENERAL TOLERANCE	
.X	±0.30
.XX	±0.20
.XXX	±0.10
X.*	±0.2°



东莞市国亚电子有限公司
 Dong Guan Guo Ya Connectors co., Ltd.

APPROVAL	CHECK	DRAWN	DATE
Yangzhengguo	Yangjingyi	Lvtiansheng	2016/08/26

PART NO.: A1501WRS-XX-LPSWX

TITLE: 1.50mm SMT 90° Packing

UNIT	SCALE	SHEET	REV	NUMBER
mm	1:1	1/1	A0	A-000

