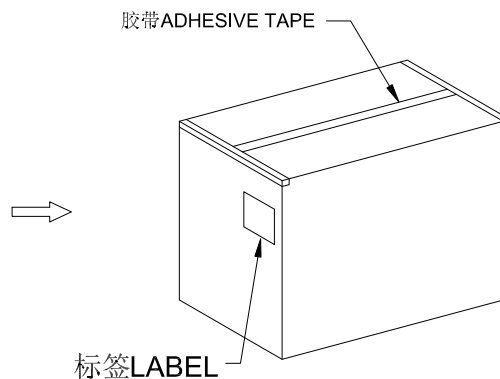
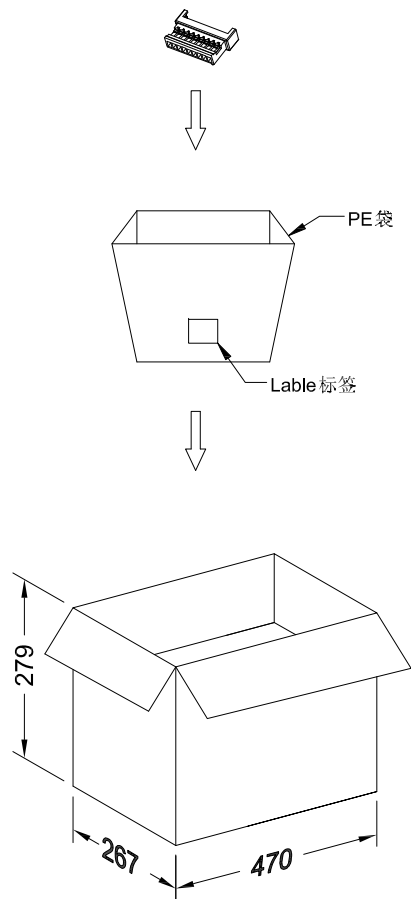


Note注解:

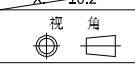
1. Place Housing into PE bag and seal PE bag. Label.
将 Housing放入PE袋内, 并将PE袋封好. 贴上标签.
2. Put PE bag packed products in cartons, Packing detail see the table below
将装好产品的PE袋放入纸箱内, 详细包装见下表
3. Label depends on customer request, carton opening joint with transparent tape
标签依客户要求而定, 纸箱开口处用透明胶带贴合.
4. There shall be no dirt such as deformation phenomenon, Mantissa box fillers must be used
每箱不可有脏污, 变形现象, 尾数箱必须用填充物
5. Carton material: K=K, Carton thickness: 6~7mm
纸箱材质:K=K, 纸箱厚度:6~7mm



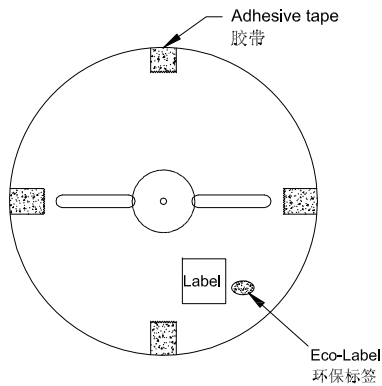
Poles	Bag PCS	Box PCS
02	1000	150K
03	1000	120K
04	1000	100K
05	1000	100K
06	1000	80K
07	1000	70K
08	1000	60K
09	1000	50K
10	1000	50K

GENERAL TOLERANCE					APPROVAL		CHECK		DRAWN		DATE		PART NO.:				
.X ±0.35					Yangzhengguo		Yangzhengyi		Lviansheng		2016/08/26		A1259HM-XXX				
.XX ±0.25													TITLE: 1.25mm Housing Packing				
.XXX ±0.15													UNIT	SCALE	SHEET	REV	NUMBER
X° ±0.2													mm	1:1	1/1	A0	A-022
DATE	REV	ECN NO.	DESCRIPTION	MODIFY	APPROVAL												
1																	
2																	
3																	
4																	
5																	
6																	
7																	
8																	

GYA 东莞市国亚电子有限公司
Connectors Dong Guan Guo Ya Connectors co., Ltd.

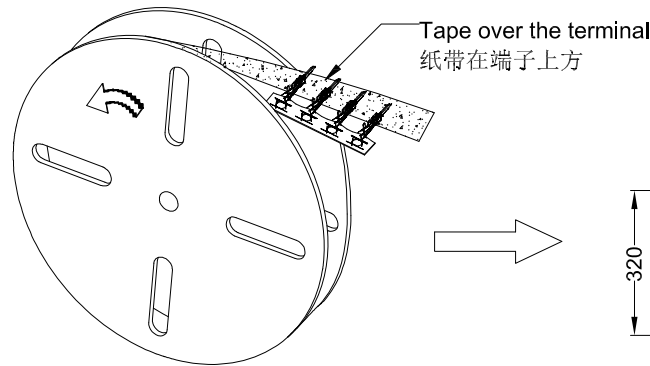


RoHS 包装图

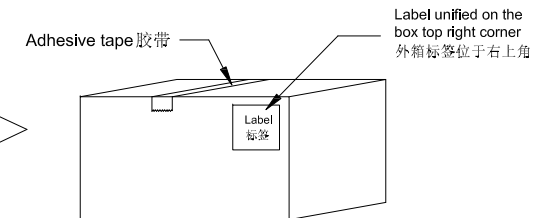
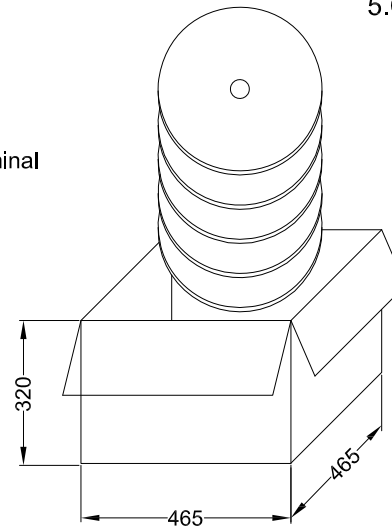


Note 注解:

- Quantity 数量:
15K PCS/REEL 一卷15K/PCS
11 REEL/BOX 一箱11卷
165K PCS/BOX 一箱165K/PCS
- Each reel and outer box must be labeled and Eco-Label Respectively labeled
每盘和外箱都必须有标签及环保标签分别标示
- Terminal winding direction as shown
端子缠绕方向如左图所示
- There shall be no dirt such as deformation phenomenon, Mantissa box fillers must be used
每箱不可有脏污, 变形现象, 尾数箱必须用填充物
- Carton material: K=K, Carton thickness: 6~7mm
纸箱材质:K=K, 纸箱厚度:6~7mm



卷装方式
Package way



DATE	REV	ECN NO.	DESCRIPTION	MODIFY	APPROVAL
1					
2					
3					
4					

GENERAL TOLERANCE	
.X	±0.35
.XX	±0.25
.XXX	±0.15
X°	±0.2°



东莞市国亚电子有限公司
Dong Guan Guo Ya Connectors co., Ltd.

APPROVAL	CHECK	DRAWN	DATE
Yangzhengguo	Yangzhengyi	Lvtiansheng	2016/08/26

PART NO.:				
A1259T-XXX				
TITLE:				
1.25mm Terminal Packing				
UNIT	SCALE	SHEET	REV	NUMBER
mm	1:1	1/1	A0	A-022