

Type Document	Crimp Specification	Revised /Edition	A
Date Issued:		Data Revised:	2014/10/10
Subject: A1256T-XXX 1.25mm Pitch Wire to Board Series Terminal.			Issued By: Engineering Dept.

Description:

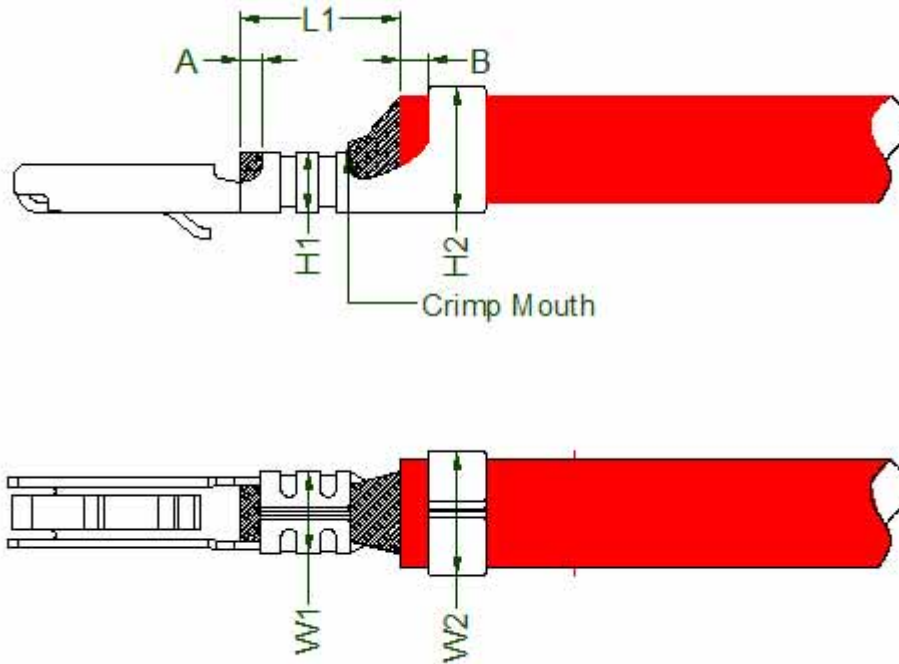
Height and width of crimped core should be set as required.

(Crimped height and width of wire barrel)

According to the external diameter and the type of electric wire, the width of crimped sheath shall be adjusted wire won't be easily taken off from contact nor too much crimped.

(Crimped width of insulation barrel)

Position Graph:



Note:

1. Conductor crimp width. W1
2. Conductor crimp height. H2
3. Insulator crimp width. W1
4. Insulator crimp height. W2
5. Conductor wire shall be dimension long (mm) out A.
6. Naked part of sheathed wire must be located in the vicinity of center B.
7. The Crimp mouth must be equipped like Shell.



地址: 广东省东莞市长安镇增田村横增路 72 号

Address: 72 Hengzeng Road, Zengtian Village, Chang' an Town, Dongguan city, Guangdong Province

E-Tel: 0769-81769816 传真: 0769-87089563 E-mail: gya1688@gdgya.com

QQ: 316563782 贸易通: dachan88

网址: <https://shop1415292614015.1688.com>

Type Document	Crimp Specification	Revised /Edition	A
Date Issued:		Data Revised:	2014/10/10
Subject: A1256T-XXX 1.25mm Pitch Wire to Board Series Terminal.			Issued By: Engineering Dept.

Requirement:

Subject: UL 1571 or equivalent type electric wire					
AWG#	Conductor (mm ²)	Insulation Diameter	Insulator skins length	Dim. L (mm) out	
#26~#30	0.14~0.05mm ²	1.00~0.70mm	1.2~1.7mm	0.5~0.7mm	
Wire Gauge (AWG#)	Conductor Crimp Area		Insulator Crimp Area		Terminal Tensile Strength
	Width(W1)	Height(H1)	Width(W2)	Height(H2)	
#26	0.80~0.90mm	0.58~0.63mm	1.00mm Max	1.10~1.20mm	2.0Kgf
#28		0.55~0.60mm		1.00~1.10mm	1.0Kgf
#30		0.53~0.58mm		0.90~1.00mm	0.5Kgf

Remarks:

Unlike equipments and crimp reel molds skill facility or not shall be difference to result in dissimilar.

Signature: LTS ENG

Dong Guan Guo Ya Connectors co.,ltd.