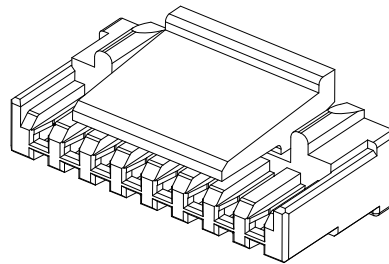
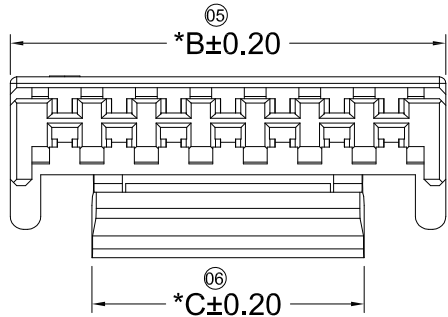
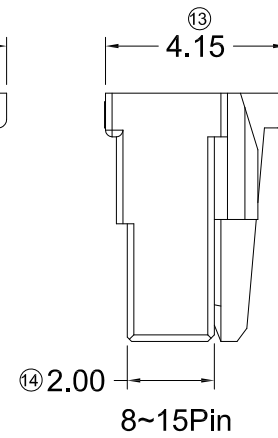
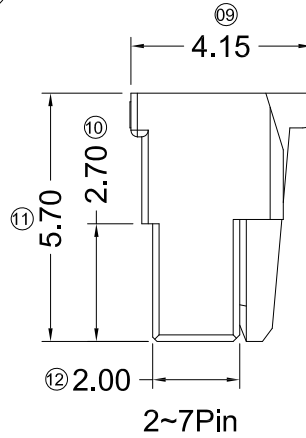
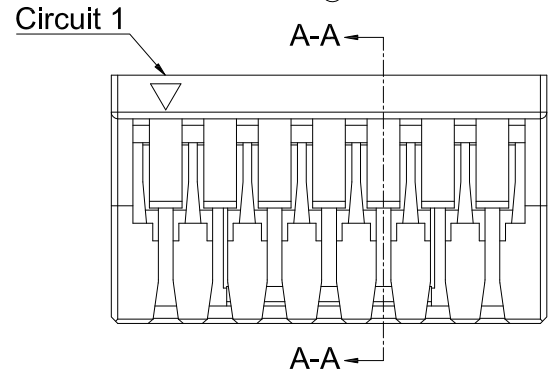
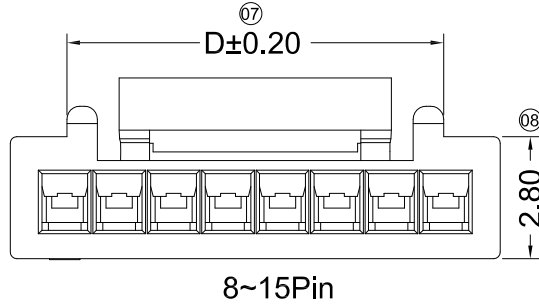
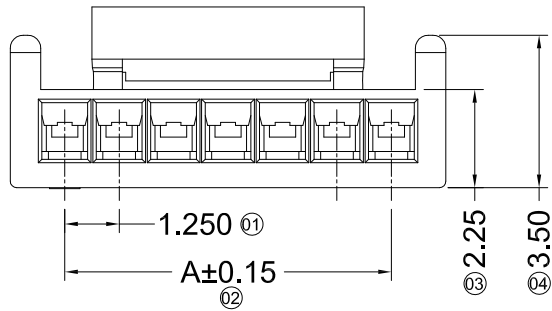


RoHS



■ Specifications :

- Voltage rating: 50V AC / DC
- Current rating: 1A AC / DC
- Withstanding voltage: 500V AC/minute
- Temperature range: -40° ~+105°
- Insulation resistance: ≥100MΩ
- Contact resistance: ≤30mΩ
- After environmental testing: ≤50mΩ
- Suitable GYA Terminal:A1256T-B
- Suitable GYA Wafer:A1256W

A1256 H X - XX B - N0 HF  
 ① ② ③ ④ ⑤ ⑥ ⑦



- ① Series No.
- ② Category: H-HSG
- ③ Connector type: Blank-ordinary
- ④ Row No.-Pin No per row: XX-02P~15P
- ⑤ Special No.:Blank-ordinary  
B-Special Package
- ⑥ Material: N0-PA66 94V-0
- ⑦ HF-Halogen free

Poles	Dimensions (mm)				Poles	Dimensions (mm)			
	A	B	C	D		A	B	C	D
02	1.25	3.75	2.10		09	10.00	12.50	6.25	8.65
03	2.50	5.00	3.00		10	11.25	13.75	8.20	10.70
04	3.75	6.25	4.05		11	12.50	15.00	8.20	10.70
05	5.00	7.50	4.25		12	13.75	16.25	8.20	10.70
06	6.25	8.75	6.25		13	15.00	17.50	8.20	10.70
07	7.50	10.00	6.25		14	16.25	18.75	8.20	10.70
08	8.75	11.25	6.25	8.65	15	17.50	20.00	8.20	10.70

GENERAL TOLERANCE	
.X	±0.30
.XX	±0.20
.XXX	±0.10
X.°	±2°



东莞市国亚电子有限公司  
 Dong Guan Guo Ya Connectors co., Ltd.

APPROVAL CHECK DRAWN DATE

Yangzhengguo Yangzhengyi Lviansheng 2016/08/26

PART NO.  
 A1256H-XXX-N0HF

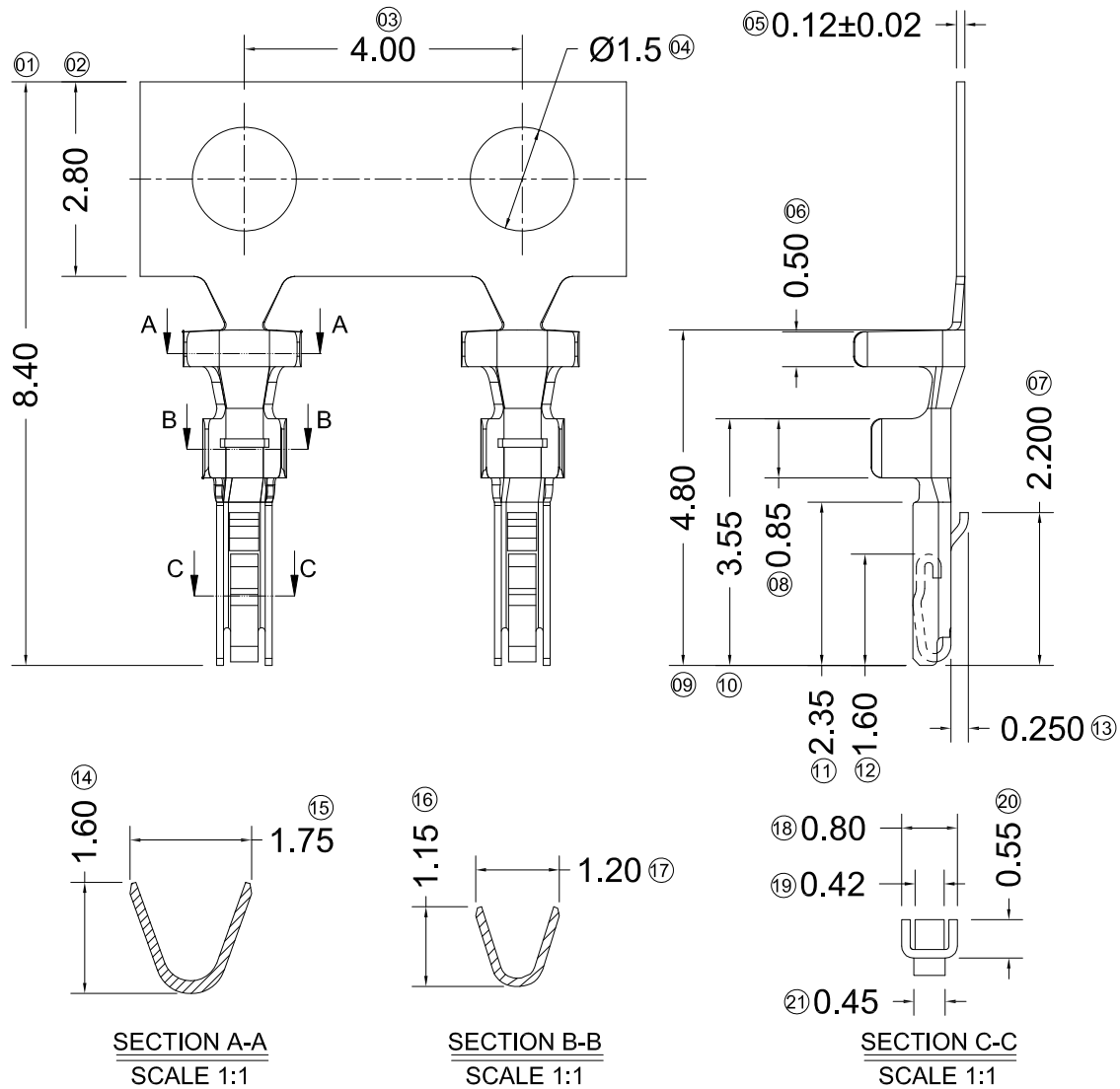
TITLE 1.25mm Crimp Style Connectors

UNIT	SCALE	SHEET	REV	NUMBER
mm	1:1	1/1	A0	A-308

DATE	REV	ECN NO.	DESCRIPTION	MODIFY	APPROVAL
------	-----	---------	-------------	--------	----------

1 2 3 4 5 6 7 8

RoHS

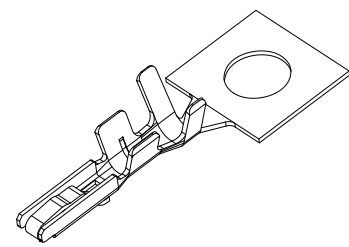


- Specifications :
- Voltage rating: 50V AC / DC
  - Current rating: 1A AC / DC
  - Withstanding voltage: 500V AC/minute
  - Temperature range: -25° ~+85°
  - Insulation resistance: ≥100MΩ
  - Contact resistance: ≤30mΩ
  - After environmental testing: ≤50mΩ
  - Material(Pin): Phosphor bronze
  - Wire Size: AWG # 26~30 (0.13~0.05mm<sup>2</sup>)
  - Insulation Ø O.D.: 1.00mm (Max)
  - Mates With GYA Housing : A1256H

A1256 T X - P XX X - B  
 ① ② ③ ④ ⑤ ⑥ ⑦



- ① Series Number
- ② Category: T-terminal
- ③ Shape: Blank-ordinary
- ④ Material: P-Phosphor bronze
- ⑤ Plating code: V01-Gold Flash ; SN-Bright tin plating
- ⑥ Plating method: Blank-Stamping before plating
- ⑦ Mold No./Mark/Special No.



SECTION A-A  
SCALE 1:1

SECTION B-B  
SCALE 1:1

SECTION C-C  
SCALE 1:1

GENERAL TOLERANCE	
.X	±0.30
.XX	±0.20
.XXX	±0.10
X.°	±2°



东莞市国亚电子有限公司  
 Dong Guan Guo Ya Connectors co., Ltd.

PART NO.  
A1256T-PXX-B

TITLE  
1.25mm CrImp Style Connectors

APPROVAL	CHECK	DRAWN	DATE
Yangzhengguo	Yangzhengyi	Lvtiansheng	2016/08/26

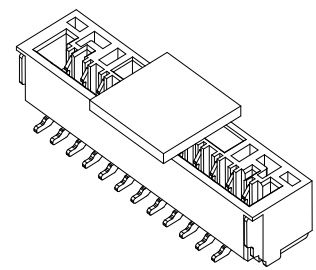
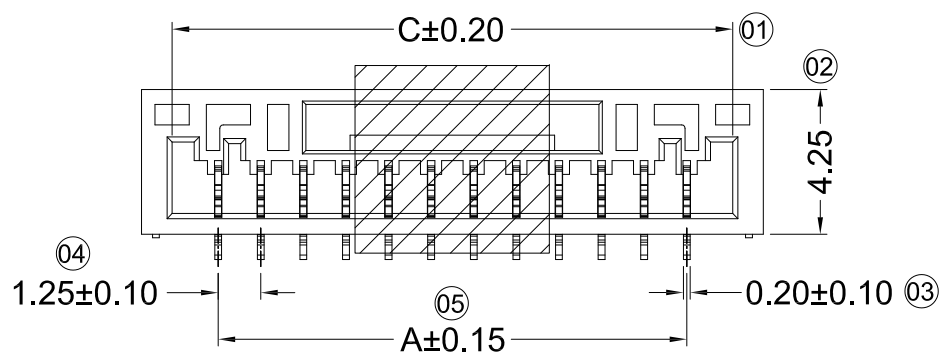
PROJECT	UNIT	SCALE	SHEET	REV	NUMBER
	mm	1:1	1/1	A0	A-308

DATE	REV	ECN NO.	DESCRIPTION	MODIFY	APPROVAL
1					
2					

RoHS

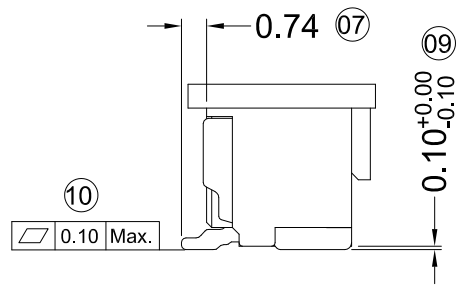
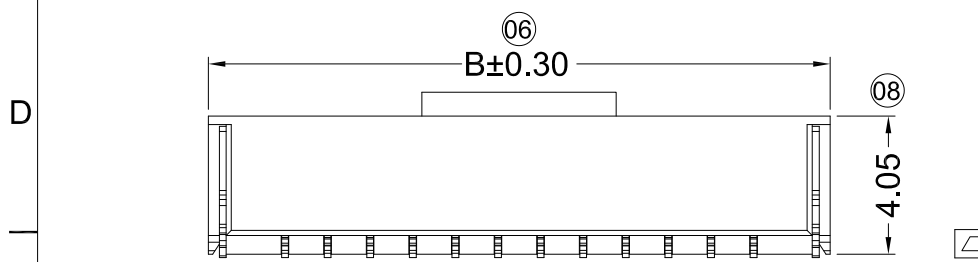
F  
E  
D  
C  
B  
A

F  
E  
D  
C  
B  
A

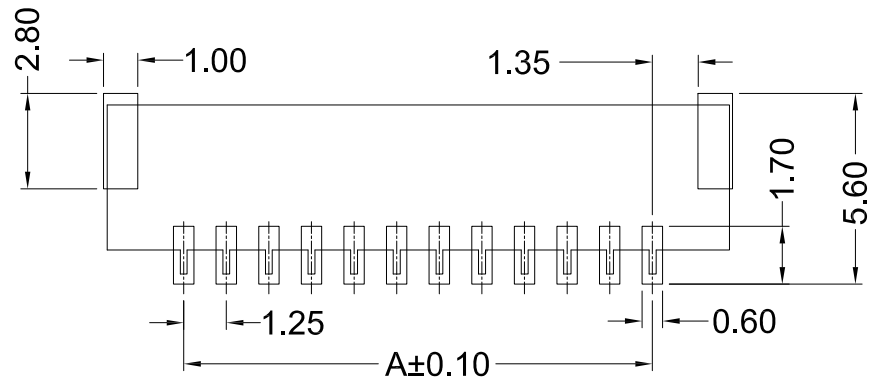


- Specifications :
- Voltage rating: 50V AC / DC
  - Current rating: 1A AC / DC
  - Withstanding voltage: 500V AC/minute
  - Temperature range: -40° ~+105°
  - Insulation resistance: ≥100MΩ
  - Contact resistance: ≤30mΩ
  - After environmental testing: ≤50mΩ
  - Material(Pin and Solder Tabs): Copper alloy
  - Mates With GYA Housing : A1256H

A1256 W V S - XX HF - LP SW XX  
 ① ② ③ ④ ⑤ ⑥ ⑦ ⑧ ⑨



- ① Series No.
- ② Category: W-wafer
- ③ Connector type: V- Stright 180°
- ④ Mounting type: S-SMT
- ⑤ Row No.-Pin No per row: XX-02P~15P
- ⑥ Special No.: HF-Halogen free
- ⑦ Material: LP-LCP 94V-0
- ⑧ Plating Code:SW-Matte Tin plating
- ⑨ Color: Blank-Natural color



Recommended P.C.B Layout  
 General Tolerance±0.05



Poles	Dimensions(mm)			Poles	Dimensions(mm)		
	A	B	C		A	B	C
02	1.25	5.75	3.95	09	10.00	14.50	12.70
03	2.50	7.00	5.20	10	11.25	15.75	13.95
04	3.75	8.25	6.45	11	12.50	17.00	15.20
05	5.00	9.50	7.70	12	13.75	18.25	16.45
06	6.25	10.75	8.95	13	15.00	19.50	17.70
07	7.50	12.00	10.20	14	16.25	20.75	18.95
08	8.75	13.25	11.45	15	17.50	22.00	20.20

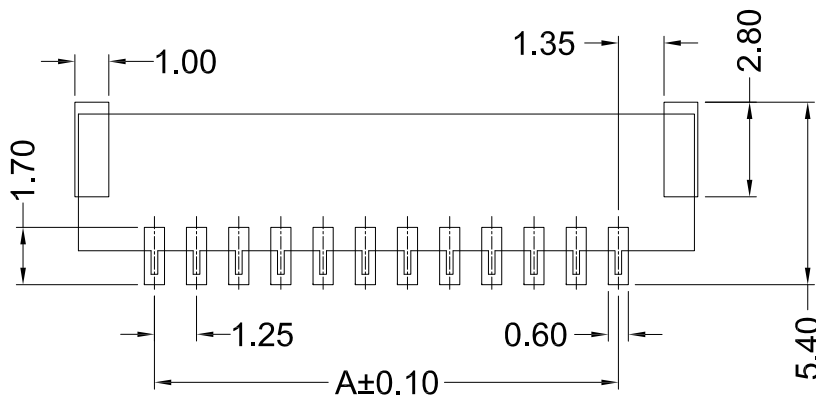
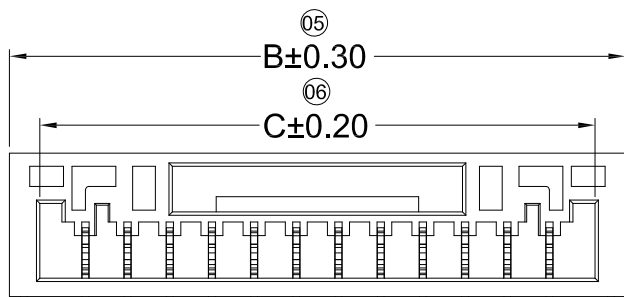
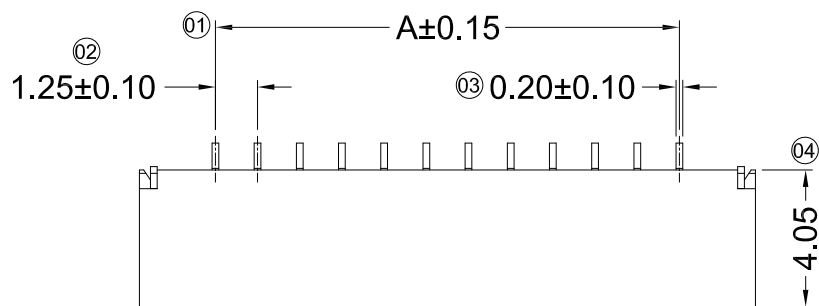
DATE	REV	ECN NO.	DESCRIPTION	MODIFY	APPROVAL
1					
2					
3					
4					

GENERAL TOLERANCE .X ±0.30 .XX ±0.20 .XXX ±0.10 X.° ±2°				东莞市国亚电子有限公司 Dong Guan Guo Ya Connectors co., Ltd.				PART NO. A1256WVS-XXHF-LPSW				
PROJECT 				APPROVAL	CHECK	DRAWN	DATE	TITLE 1.25mm CrImp Style Connectors				
				Yangzhengguo	Yangzhengyi	Lvtiansheng	2016/08/26	UNIT	SCALE	SHEET	REV	NUMBER
								mm	1:1	1/1	A0	A-084

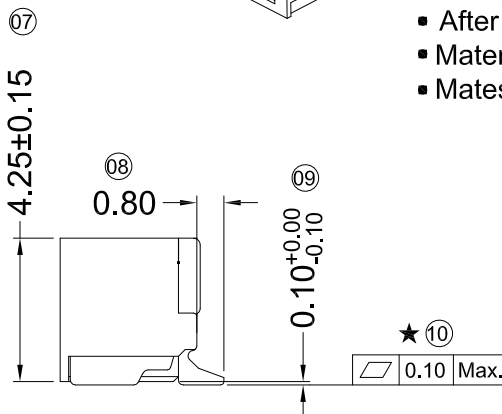
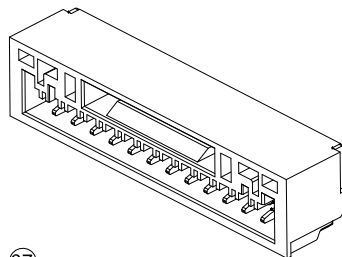
A

1 2 3 4 5 6 7 8

RoHS



Recommended P.C.B Layout  
General Tolerance±0.05



■ Specifications :

- Voltage rating: 50V AC / DC
- Current rating: 1A AC / DC
- Withstanding voltage: 500V AC/minute
- Temperature range: -40° ~+105°
- Insulation resistance: ≥100MΩ
- Contact resistance: ≤30mΩ
- After environmental testing: ≤50mΩ
- Material(Pin and Solder Tabs): Phosphor Bronze
- Mates With GYA Housing : A1256H

A1256 W R S - XX HF - LP SW XX  
① ② ③④ ⑤ ⑥ ⑦ ⑧ ⑨

- ① Series No.
- ② Category: W-wafer
- ③ Connector Type: R- Right Angle 90°
- ④ Mouting Type: S-SMT
- ⑤ Row No.-Pin No Per Row: XX-02P~15P
- ⑥ Special No.: HF-Halogen free
- ⑦ Plastic material: LP-LCP 94V-0 ;
- ⑧ Plating Code: SW-Matte Tin plating
- ⑨ Color: Blank-natural color



Poles	Dimensions(mm)			Poles	Dimensions(mm)		
	A	B	C		A	B	C
02	1.25	5.75	3.95	09	10.00	14.50	12.70
03	2.50	7.00	5.20	10	11.25	15.75	13.95
04	3.75	8.25	6.45	11	12.50	17.00	15.20
05	5.00	9.50	7.70	12	13.75	18.25	16.45
06	6.25	10.75	8.95	13	15.00	19.50	17.70
07	7.50	12.00	10.20	14	16.25	20.75	18.95
08	8.75	13.25	11.45	15	17.50	22.00	20.20

					GENERAL TOLERANCE	GYA 东莞市国亚电子有限公司 Connectors Dong Guan Guo Ya Connectors co., Ltd.				PART NO. A1256WRS-XXHF-LPSW				
					.X ±0.30	APPROVAL				TITLE 1.25mm CrImp Style Connectors				
					.XX ±0.20	CHECK				UNIT SCALE SHEET REV NUMBER				
					.XXX ±0.10	DRAWN				mm 1:1 1/1 A0 A-084				
					X.° ±2°	DATE								
DATE	REV	ECN NO.	DESCRIPTION	MODIFY	APPROVAL	PROJECT	Yangzhengguo	Yangzhengyi	Lvtiansheng	2016/08/26				
1	2	3	4	5	6	7	8							