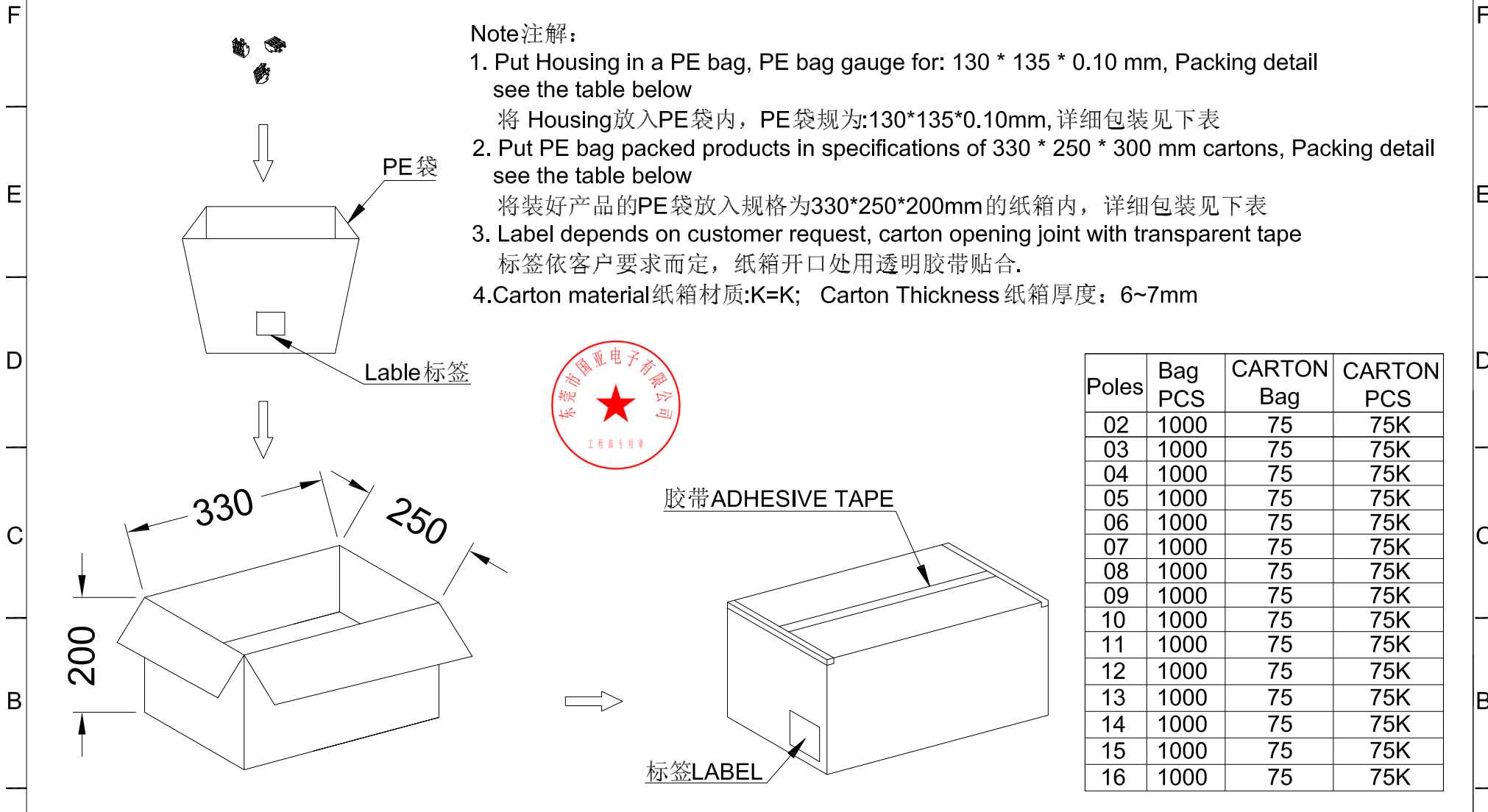


RoHS 包装图



Note注解:

- Put Housing in a PE bag, PE bag gauge for: 130 \* 135 \* 0.10 mm, Packing detail see the table below  
将 Housing放入PE袋内, PE袋规为:130\*135\*0.10mm, 详细包装见下表
- Put PE bag packed products in specifications of 330 \* 250 \* 300 mm cartons, Packing detail see the table below  
将装好产品的PE袋放入规格为330\*250\*200mm的纸箱内, 详细包装见下表
- Label depends on customer request, carton opening joint with transparent tape  
标签依客户要求而定, 纸箱开口处用透明胶带贴合.
- Carton material 纸箱材质:K=K; Carton Thickness 纸箱厚度: 6~7mm



Poles	Bag PCS	CARTON Bag	CARTON PCS
02	1000	75	75K
03	1000	75	75K
04	1000	75	75K
05	1000	75	75K
06	1000	75	75K
07	1000	75	75K
08	1000	75	75K
09	1000	75	75K
10	1000	75	75K
11	1000	75	75K
12	1000	75	75K
13	1000	75	75K
14	1000	75	75K
15	1000	75	75K
16	1000	75	75K

DATE	REV	ECN NO.	DESCRIPTION	MODIFY	APPROVAL
1					
2					
3					
4					

GENERAL TOLERANCE	
.X	±0.30
.XX	±0.20
.XXX	±0.10
X°	±0.2°

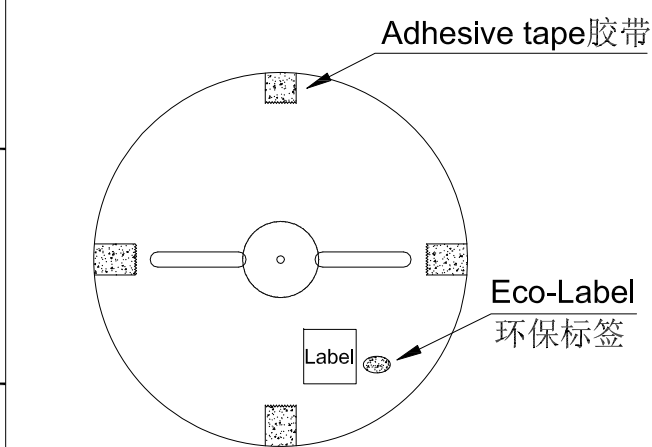
**GYA** 东莞市国亚电子有限公司  
Connectors Dong Guan Guo Ya Connectors co., Ltd.

APPROVAL	CHECK	DRAWN	DATE
Yangzhengguo	Yangzhengyi	Lvtiansheng	2016/08/26

PART NO.				
A1256H-XXX				
TITLE:				
1.25mm Housing Package				
UNIT	SCALE	SHEET	REV	NUMBER
mm	1:1	1/1	A0	A-106

RoHS

包装图



Note 注解:

1. Quantity 数量:

15K PCS/REEL 一卷15K/PCS

10 REEL/BOX 一箱10卷

150K PCS/BOX 一箱150K/PCS

2. Each reel and outer box must be labeled and Eco-Label Respectively labeled

每盘和外箱都必须有标签及环保标签分别标示

3. Terminal winding direction as shown

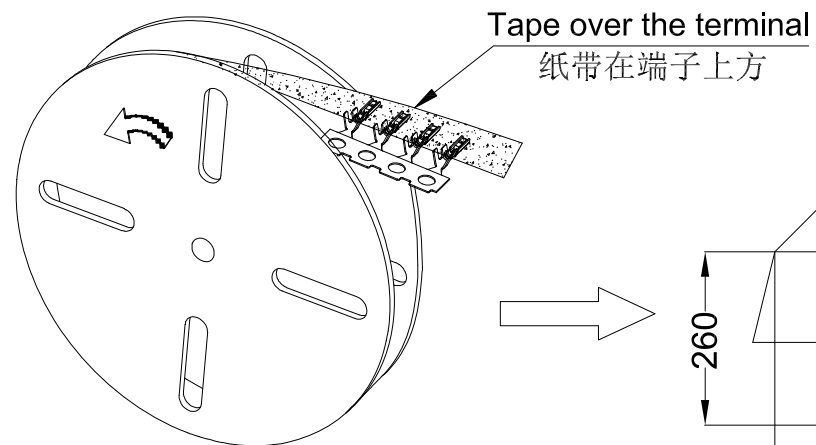
端子缠绕方向如左图所示

4. There shall be no dirt such as deformation phenomenon, Mantissa box fillers must be used

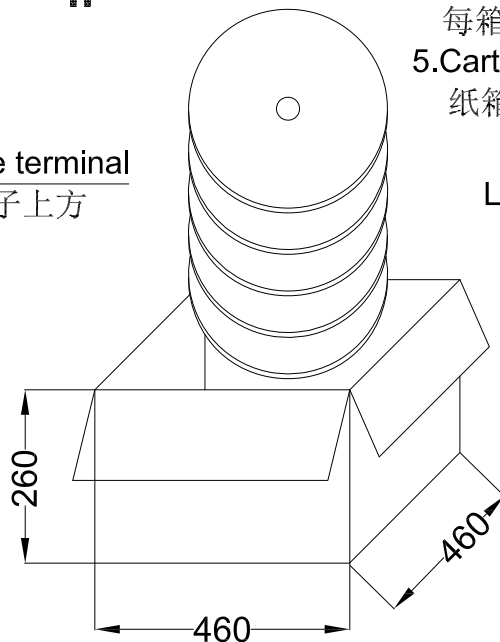
每箱不可有脏污, 变形现象, 尾数箱必须用填充物

5. Carton material: K=K, Carton thickness: 6~7mm

纸箱材质:K=K, 纸箱厚度:6~7mm



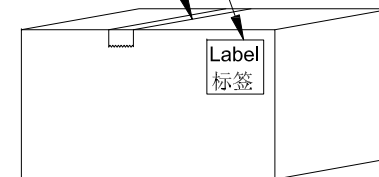
卷装方式  
Package way



Label unified on the box top right corner

外箱标签位于右上角

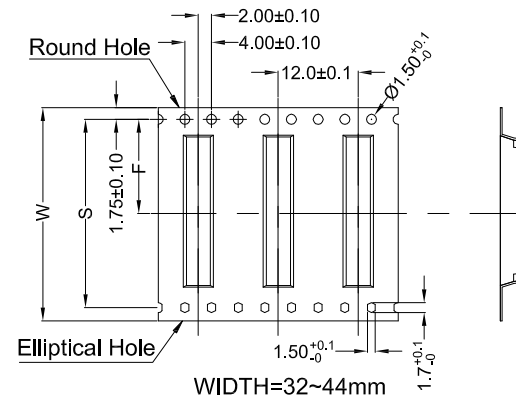
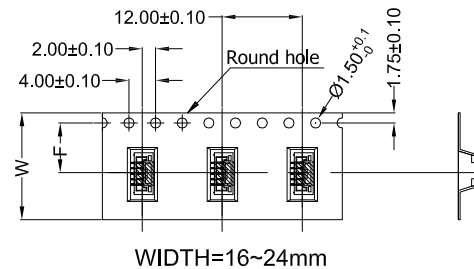
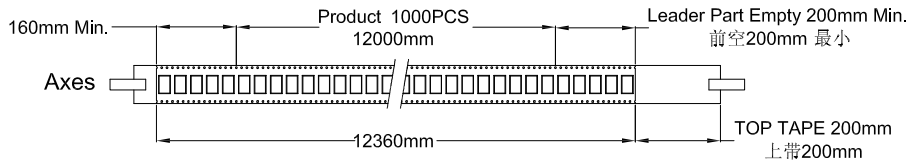
Adhesive tape 胶带



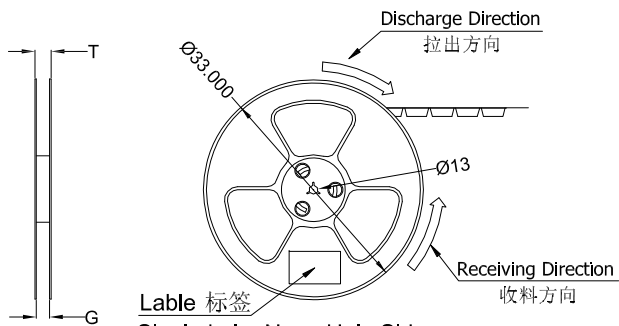
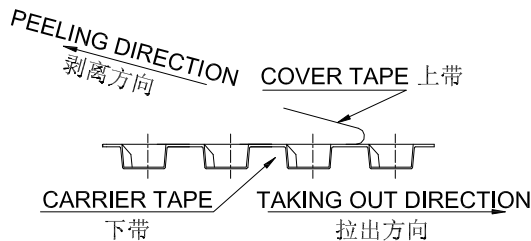
				GENERAL TOLERANCE		GYA 东莞市国亚电子有限公司 Connectors Dong Guan Guo Ya Connectors co., ltd.		PART NO. A1256T-XXX			
				.X ±0.30		APPROVAL		CHECK		TITLE: 1.25mm Terminal Packing	
				.XX ±0.20		Yangzhengguo		Yangzhengyi		UNIT	
				.XXX ±0.10		YANGZHENG		LVTIANSHENG		SCALE	
				X° ±0.2°		2016/08/26		DATE		SHEET	
DATE	REV	ECN NO.	DESCRIPTION	MODIFY	APPROVAL	YANGZHENG		2016/08/26		REV	
1						YANGZHENG		2016/08/26		NUMBER	
						YANGZHENG		2016/08/26		A0	
						YANGZHENG		2016/08/26		A-053	

RoHS

包装图



COVER TAPE PEEL STRENGTH:20~120g  
上带剥离力量: 20~120g  
速度 PEEL SPEED:300mm/minute

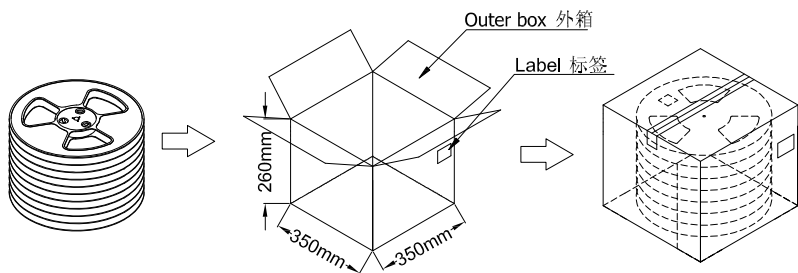


Single hole: None Hole Side  
单孔: 贴无键孔侧  
Double hole: Elliptical Hole Side  
双孔: 贴椭圆孔侧



**Note:**

1. Carrier Camber Is Within 1mm In 100mm; 带长100mm 内容许弯曲度1mm
2. 10 Sprocket Hole Pitch Cumulative Tolerance±0.2MM; 圆孔十个孔距离累计允许公差为±0.2mm
3. Material for PS; 材质为PS材质
4. Thickness=0.40±0.05; 材料厚度为0.40±0.05mm
5. Carton material 纸箱材质:K=K; Carton Thickness 纸箱厚度: 6~7mm



Carrier Tape No. 载带料号	W	S	F	T	G	REEL PCS	CARTON R	CARTON PCS
A1256WVS-05 05Pin~09Pin	24	/	11.50	28.50	24.50	1000	8R	8000
A1256WVS-10 10Pin~12Pin	32	28.40	14.20	36.50	32.50	1000	6R	6000
A1256WVS-13 13Pin~16Pin	44	40.40	20.20	48.50	44.50	1000	5R	5000

GENERAL TOLERANCE

.X	±0.30
.XX	±0.20
.XXX	±0.10
X°	±0.2°



东莞市国亚电子有限公司  
Dong Guan Guo Ya Connectors co., Ltd.

APPROVAL	CHECK	DRAWN	DATE
Yangzhengguo	Yangzhengyi	Lvtiansheng	2016/08/26

PART NO.

PPN: A1256WVS-XXX

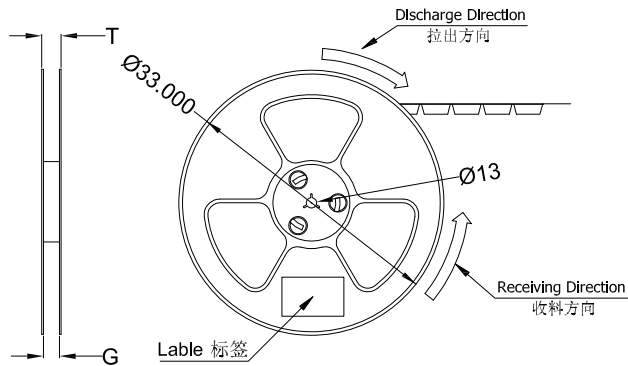
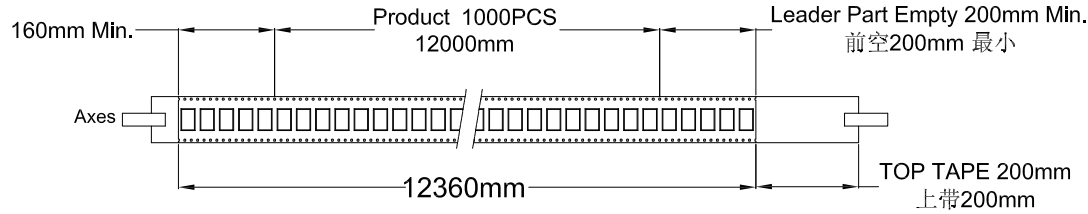
TITLE:

1.25mm SMT 180° Packhg

UNIT	SCALE	SHEET	REV	NUMBER
mm	1:1	1/1	A0	A-106

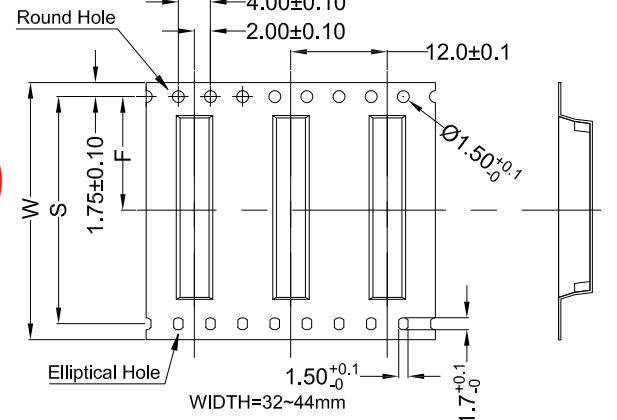
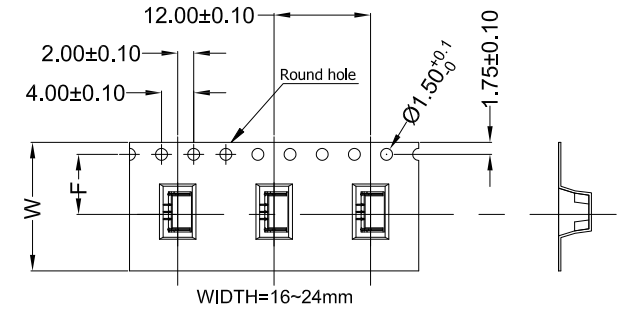
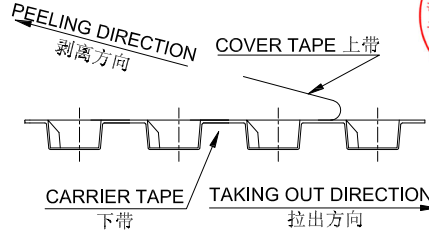
DATE	REV	ECN NO.	DESCRIPTION	MODIFY	APPROVAL

RoHS 包装图



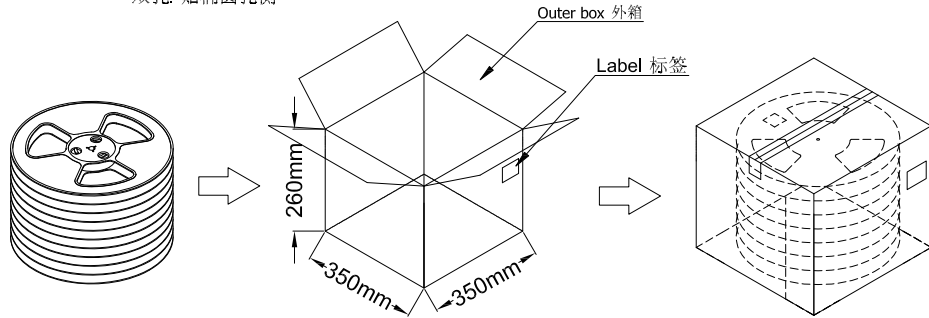
Lable 标签  
Single hole: None Hole Side  
单孔: 贴无键孔侧  
Double hole: Elliptical Hole Side  
双孔: 贴椭圆孔侧

COVER TAPE PEEL STRENGTH:20~120g  
上带剥离力量: 20~120g  
速度 PEEL SPEED:300mm/minute



Note:

- Carrier Camber Is Within 1mm In 100mm; 带长100mm 内容许弯曲度1mm
- 10 Sprocket Hole Pitch Cumulative Tolerance±0.2MM; 圆孔十个孔距离累计允许公差为±0.2mm
- Materiaal for PS; 材质为PS材质
- Thinkess=0.40±0.05; 材料厚度为0.40±0.05mm
- Carton material纸箱材质:K=K; Carton Thickness 纸箱厚度: 6~7mm



Carrier Tape No. 载带料号	W	S	F	T	G	REEL PCS	CARTON R	CARTON PCS
A1256WRS-02 02Pin~04Pin	16	/	7.50	20.50	16.50	1000	11R	11000
A1256WRS-05 05Pin~09Pin	24	/	11.50	28.50	24.50	1000	8R	8000
A1256WRS-106 02Pin~04Pin	32	28.40	14.20	36.50	32.50	1000	6R	6000
A1256WRS-13 02Pin~04Pin	44	40.40	20.20	48.50	44.50	1000	5R	5000

GENERAL TOLERANCE

.X	±0.30
.XX	±0.20
.XXX	±0.10
X°	±0.2°



东莞市国亚电子有限公司  
Dong Guan Guo Ya Connectors co., Ltd.

PART NO.

PPN: A1256WRS-XXX

TITLE:

1.25mm Housing Package

DATE	REV	ECN NO.	DESCRIPTION	MODIFY	APPROVAL
1					

APPROVAL	CHECK	DRAWN	DATE
Yangzhengguo	Yangzhengyi	Lvtiansheng	2016/08/26

UNIT	SCALE	SHEET	REV	NUMBER
mm	1:1	1/1	A0	A-106