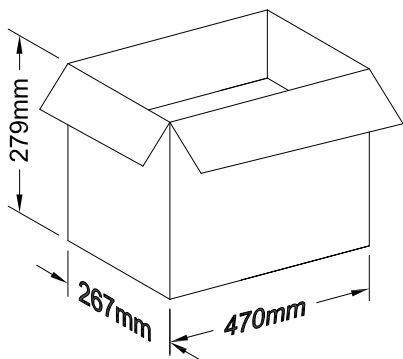
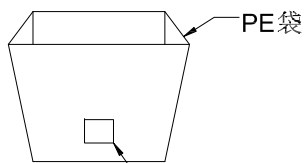
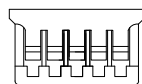
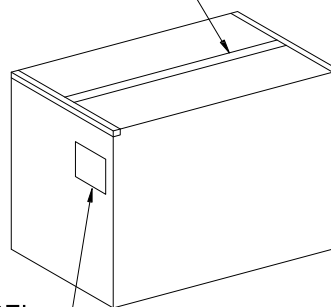


RoHS

包装图



胶带ADHESIVE TAPE



标签LABEL

Note注解:

1. Place Housing into PE bag and seal PE bag. Label.  
将 Housing放入PE袋内, 并将PE袋封好. 贴上标签.
2. Put PE bag packed products in cartons, Packing detail see the table below  
将装好产品的PE袋放入纸箱内, 详细包装见下表
3. Label depends on customer request, carton opening joint with transparent tape  
标签依客户要求而定, 纸箱开口处用透明胶带贴合.
4. There shall be no dirt such as deformation phenomenon, Mantissa box fillers must be used  
每箱不可有脏污, 变形现象, 尾数箱必须用填充物
5. Carton material: K=K, Carton thickness:  $6\pm 1$ mm  
纸箱材质: K=K, 纸箱厚度:  $6\pm 1$ mm



Poles	Bag PCS	Box PCS
02	1000	300K
03	1000	250K
04	1000	200K
05	1000	200K
06	1000	150K
07	1000	120K
08	1000	120K
09	1000	100K
10	1000	100K
11	1000	80K
12	1000	80K
13	1000	80K
14	1000	70K
15	1000	70K
16	1000	70K

GENERAL TOLERANCE

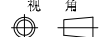
.X  $\pm 0.35$

.XX  $\pm 0.25$

.XXX  $\pm 0.15$

X. $^{\circ}$   $\pm 0.2^{\circ}$

视 角



**GYA**  
Connectors

东莞市国亚电子有限公司  
Dong Guan Guo Ya Connectors co., Ltd.

APPROVAL

CHECK

DRAWN

DATE

Yangzhengguo

Yangzhengyi

Lvtiansheng

2016/08/26

PART NO.:

A1254H-XXX

TITLE:

1.25mm Housing Packing

UNIT

SCALE

SHEET

REV

NUMBER

mm

1 : 1

1/1

A0

A-022

DATE

REV

ECN NO.

DESCRIPTION

MODIFY

APPROVAL

1

2

3

4

5

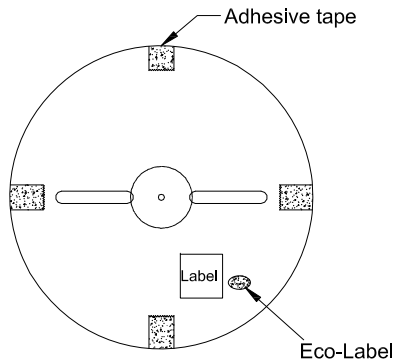
6

7

8

RoHS

包装图



Note 注解:

1.Quantity 数量:

15K PCS/REEL 一卷15K/PCS

10 REEL/BOX 一箱10卷

150K PCS/BOX 一箱150K/PCS

2.Each reel and outer box must be labeled and

Eco-Label Respectively labeled

每盘和外箱都必须有标签及环保标签分别标示

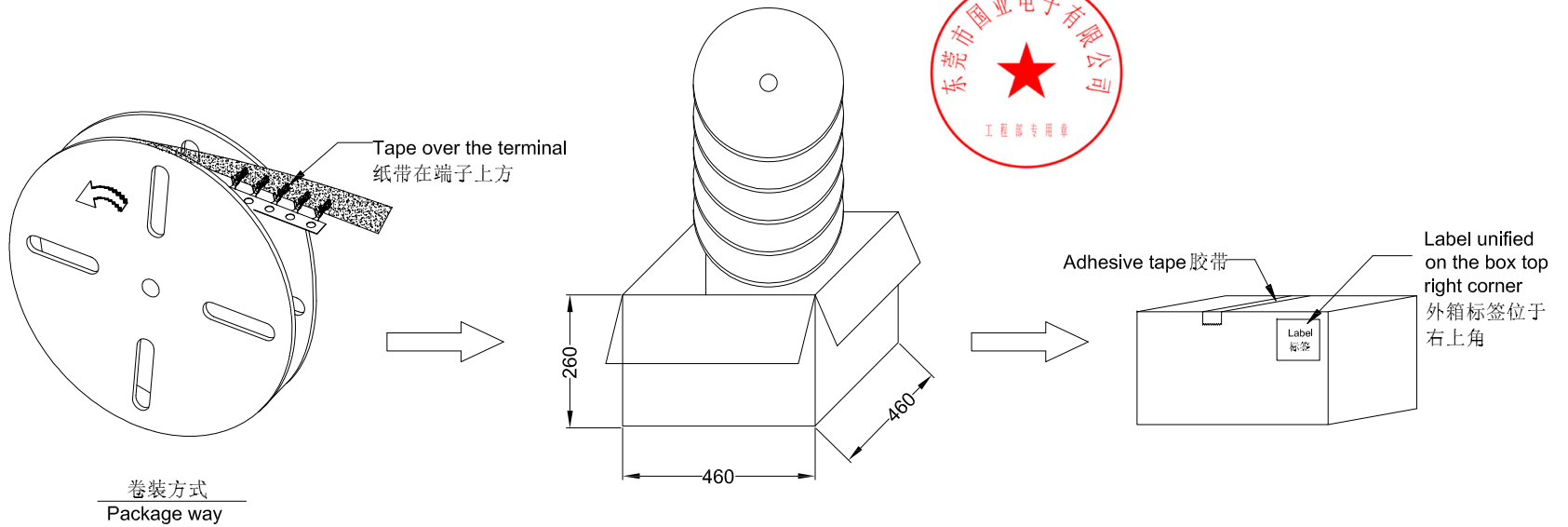
3.Terminal winding direction as shown

端子缠绕方向如左图所示

4.There shall be no dirt such as deformation phenomenon,

Mantissa box fillers must be used

每箱不可有脏污, 变形现象, 尾数箱必须用填充物



					<b>GENERAL TOLERANCE</b> .X ±0.35 .XX ±0.25 .XXX ±0.15 X° ±0.2° 视图 				<b>GYA</b> 东莞市国亚电子有限公司 Connectors Dong Guan Guo Ya Connectors co.,ltd.				PART NO.: A1254T-XXX											
					APPROVAL Yangzhengguo				CHECK Yangzhengyi				DRAWN Lvliansheng				DATE 2016/08/26				TITLE: 1.25 mm Terminal Packing			
DATE	REV	ECN NO.	DESCRIPTION	MODIFY	APPROVAL					UNIT	SCALE	SHEET	REV	NUMBER										
										mm	1:1	1/1	A0	A-106										