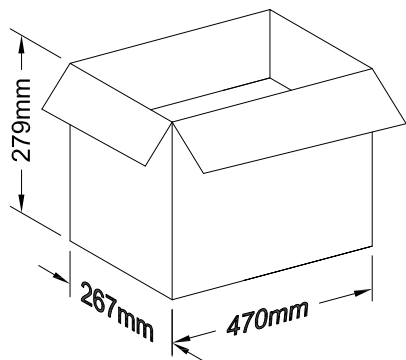
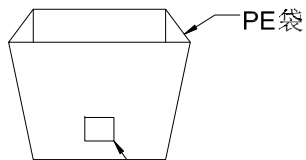
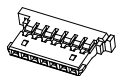
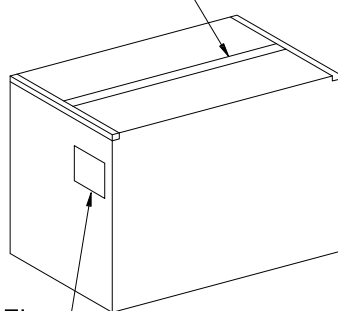


RoHS

包装图



胶带ADHESIVE TAPE



Note注解:

1. Place Housing into PE bag and seal PE bag. Label.
将 Housing放入PE袋内, 并将PE袋封好. 贴上标签.
2. Put PE bag packed products in cartons, Packing detail see the table below
将装好产品的PE袋放入纸箱内, 详细包装见下表
3. Label depends on customer request, carton opening joint with transparent tape
标签依客户要求而定, 纸箱开口处用透明胶带贴合.
4. There shall be no dirt such as deformation phenomenon,
Mantissa box fillers must be used
每箱不可有脏污, 变形现象, 尾数箱必须用填充物
5. Carton material: K=K, Carton thickness: 6±1mm
纸箱材质:K=K, 纸箱厚度:6±1mm



Poles	Bag PCS	Box PCS
02	1000	300K
03	1000	250K
04	1000	200K
05	1000	200K
06	1000	150K
07	1000	120K
08	1000	120K
09	1000	100K
10	1000	100K
11	1000	80K
12	1000	80K
13	1000	80K
14	1000	70K
15	1000	70K
16	1000	70K

GENERAL TOLERANCE

.X	±0.35
.XX	±0.25
.XXX	±0.15
X.°	±0.2°
视 角	



东莞市国亚电子有限公司
Dong Guan Guo Ya Connectors co., Ltd.

PART NO.:
A1252H-XXX

TITLE:
1.25mm Housing Packing

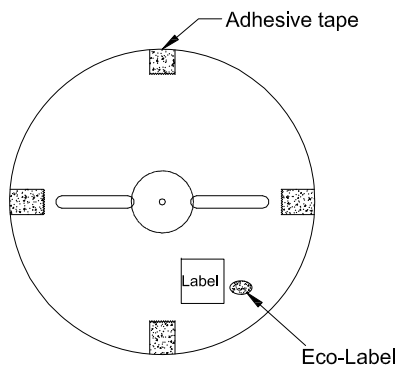
APPROVAL	CHECK	DRAWN	DATE
Yangzhengguo	Yangzhengyi	Lvtiansheng	2016/08/26

UNIT	SCALE	SHEET	REV	NUMBER
mm	1 : 1	1/1	A0	A-022

DATE	REV	ECN NO.	DESCRIPTION	MODIFY	APPROVAL

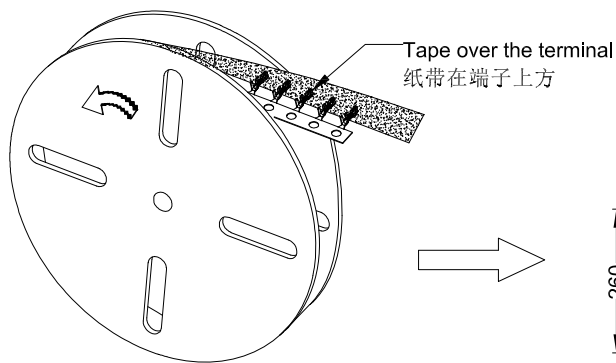
RoHS

包装图

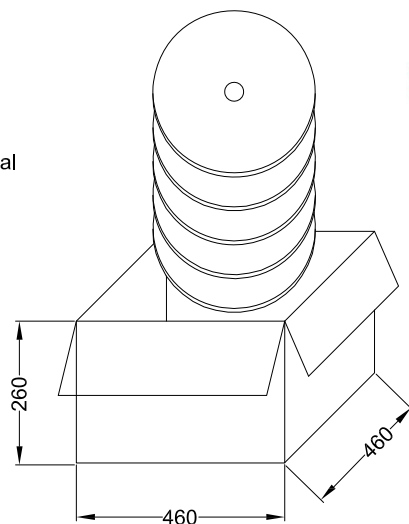


Note 注解:

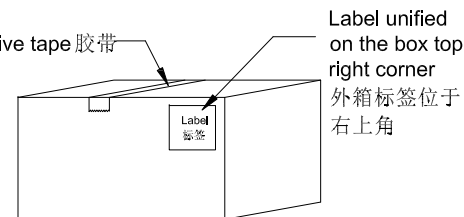
- 1.Quantity 数量:
15K PCS/REEL 一卷15K/PCS
10 REEL/BOX 一箱10卷
150K PCS/BOX 一箱150K/PCS
- 2.Each reel and outer box must be labeled and Eco-Label Respectively labeled
每盘和外箱都必须有标签及环保标签分别标示
- 3.Terminal winding direction as shown
端子缠绕方向如左图所示
- 4.There shall be no dirt such as deformation phenomenon, Mantissa box fillers must be used
每箱不可有脏污, 变形现象, 尾数箱必须用填充物



卷装方式
Package way



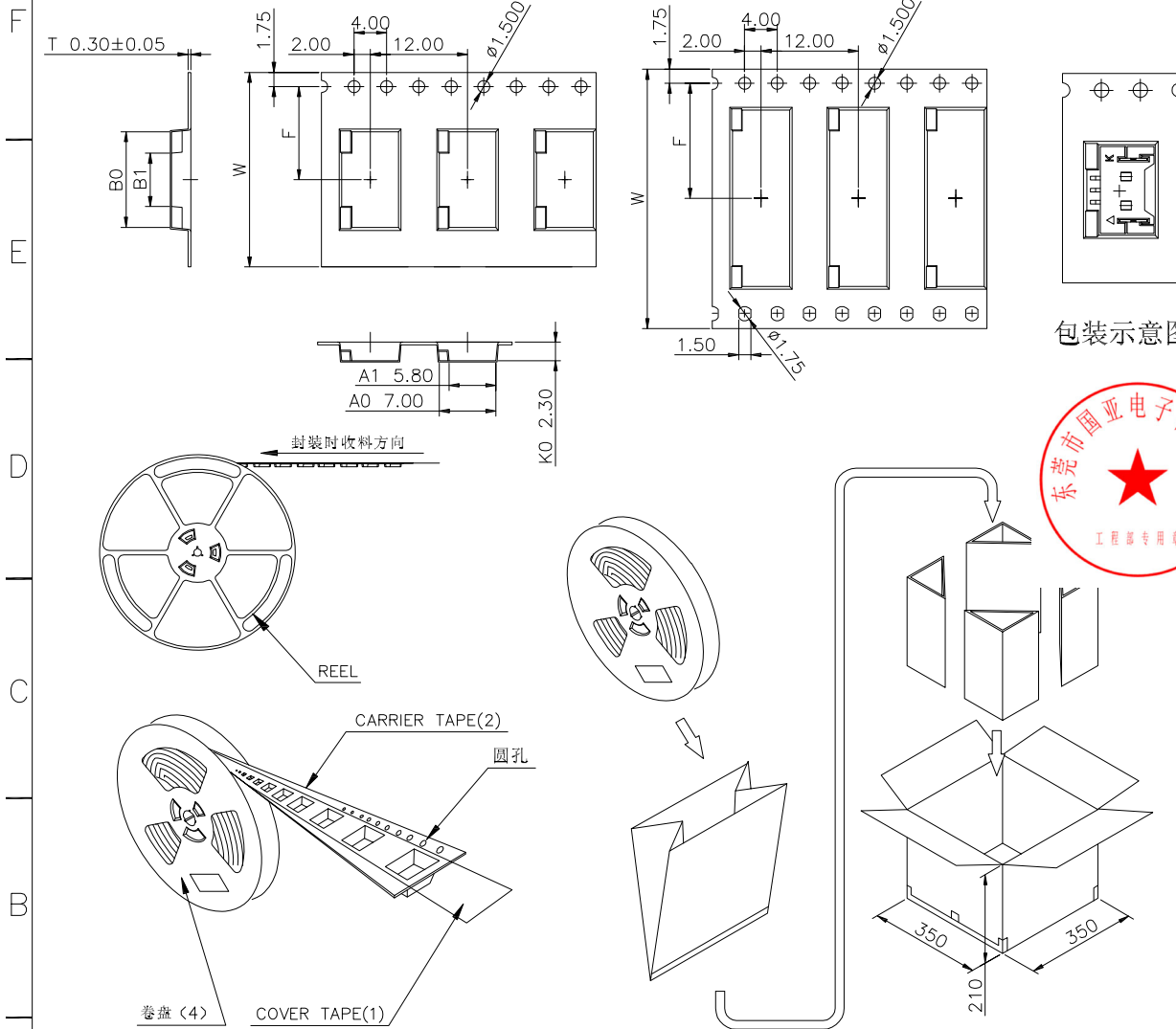
Adhesive tape 胶带



					GENERAL TOLERANCE .X ±0.35 .XX ±0.25 .XXX ±0.15 X° ±0.2°		GYA 东莞市国亚电子有限公司 Connectors Dong Guan Guo Ya Connectors co., Ltd.		PART NO.: A1252T-XXX			
					APPROVAL Yangzhengguo		CHECK Yangzhengyi		DRAWN Lvtiansheng		DATE 2016/08/26	
					TITLE: 1.25 mm Terminal Packing		UNIT mm		SCALE 1:1		SHEET 1/1	
					REV A0		NUMBER A-106					
DATE	REV	ECN NO.	DESCRIPTION	MODIFY	APPROVAL							

RoHS

包装图



包装示意图



- NOTES:
- 1.ALL DIMENSIONS MEET EIA-481-D REQUIREMENTS.
 - 2.MATERIAL: WHITE PET
 - 3.CARRIER CAMEL NOT TO EXCEED 1mm IN 250mm.
 - 4.A0 AND B0 MEASURED ON A PLANE 0.3mm ABOVE THE BOTTOM OF THE POCKET.
 - 5.K0 MEASURED FROM A PLANE ON THE INSIDE BOTTOM OF THE POCKET TO THE TOP SURFACE OF THE CARRIER.
 - 6.LENGTH: 24.5m (255 模)
 - 7.REEL: 13" 胶盘

NO.	NAME	SPEC.	Q'TY
①	Product	MX1.25 超薄 SMT 90°WF	2000PCS/卷
②	真空袋 HP0451	500mm*440mm*0.10mm	每卷用量 1PCS
③	干燥剂	2.35g	每卷用量 1PCS
④	三角板 HZ0660	410mm*110mm*5mm	适量
⑤	纸箱 HZ0670	350mm*350mm*210mm	适量
⑥	标签	--	适量

CKT.	DIMENSIONS				Q'ty/BOX	Piece Weight(g)	G.W (Kg)	单排孔/双排孔
	W±0.3	B0±0.3	B1±0.3	F±0.3				
02	16.0	8.05	2.85	5.50	10*2000	0.085	6.45	单排孔
03	24.0	9.30	4.10	11.50	7*2000			单排孔
04	24.0	10.55	5.35	11.50	7*2000			单排孔
05	24.0	11.80	6.60	11.50	7*2000	0.118	6.15	单排孔
06	24.0	13.05	7.85	11.50	7*2000			单排孔
07	24.0	14.30	9.10	11.50	7*2000			单排孔
08	24.0	15.55	10.35	11.50	7*2000			单排孔
09	32.0	16.80	11.60	14.20	5*2000			双排孔
10	32.0	18.05	12.85	14.20	5*2000			双排孔
11	32.0	19.30	14.10	14.20	5*2000			双排孔
12	32.0	20.55	15.35	14.20	5*2000			双排孔
13	44.0	21.80	16.60	20.20	4*2000			双排孔
14	44.0	23.05	17.85	20.20	4*2000			双排孔
15	44.0	24.30	19.10	20.20	4*2000			双排孔
16	44.0	25.55	20.35	20.20	4*2000			双排孔

DATE	REV	ECN NO.	DESCRIPTION	MODIFY	APPROVAL
1					
2					
3					
4					
5					

GENERAL TOLERANCE	
.X	±0.35
.XX	±0.25
.XXX	±0.15
.X.X	±0.2
视角	⊕



东莞市国亚电子有限公司
Dong Guan Guo Ya Connectors co., Ltd.

APPROVAL	CHECK	DRAWN	DATE
Yangzhengguo	Yangzhengyi	Lvtiansheng	2016/08/26

PART NO.:				
A1252WRS-XXX				
TITLE:				
1.25 mm Terminal Packing				
UNIT	SCALE	SHEET	REV	NUMBER
mm	1:1	1/1	A0	A-106