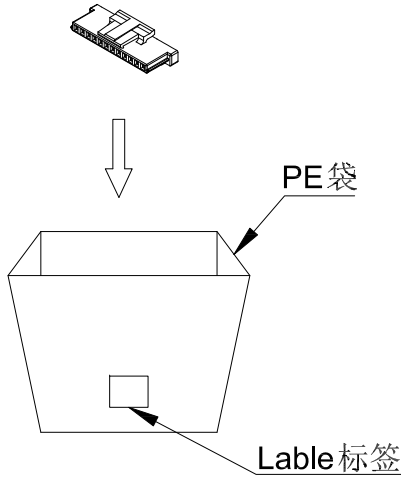


RoHS

包装图

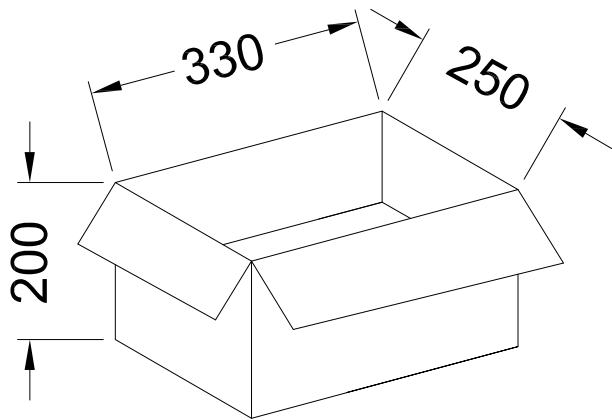
F  
E  
D  
C  
B  
A

F  
E  
D  
C  
B  
A



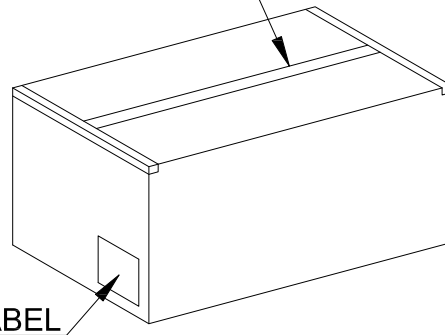
Note注解:

1. Put Housing in a PE bag, PE bag gauge for: 130 \* 135 \* 0.10 mm, Packing detail see the table below  
将 Housing放入PE袋内, PE袋规为:130\*135\*0.10mm, 详细包装见下表
2. Put PE bag packed products in specifications of 330 \* 250 \* 300 mm cartons, Packing detail see the table below  
将装好产品的PE袋放入规格为330\*250\*200mm的纸箱内, 详细包装见下表
3. Label depends on customer request, carton opening joint with transparent tape  
标签依客户要求而定, 纸箱开口处用透明胶带贴合.
4. Carton material 纸箱材质:K=K; Carton Thickness 纸箱厚度: 6~7mm



胶带ADHESIVE TAPE

标签LABEL



Poles	Bag PCS	CARTON Bag	CARTON PCS
02	1000	75	75K
03	1000	75	75K
04	1000	75	75K
05	1000	75	75K
06	1000	75	75K
07	1000	75	75K
08	1000	75	75K
09	1000	75	75K
10	1000	75	75K
11	1000	75	75K
12	1000	75	75K
13	1000	75	75K
14	1000	75	75K
15	1000	75	75K
16	1000	75	75K

GENERAL TOLERANCE

- .X ±0.30
- .XX ±0.20
- .XXX ±0.10
- X° ±0.2°



东莞市国亚电子有限公司  
Dong Guan Guo Ya Connectors co., Ltd.

PART NO.  
A1251H-XXX

TITLE:  
1.25mm Housing Package

APPROVAL CHECK DRAWN DATE

Yangzhengguo Yangzhengyi Lviansheng 2016/08/26

UNIT	SCALE	SHEET	REV	NUMBER
mm	1:1	1/1	A0	A-106

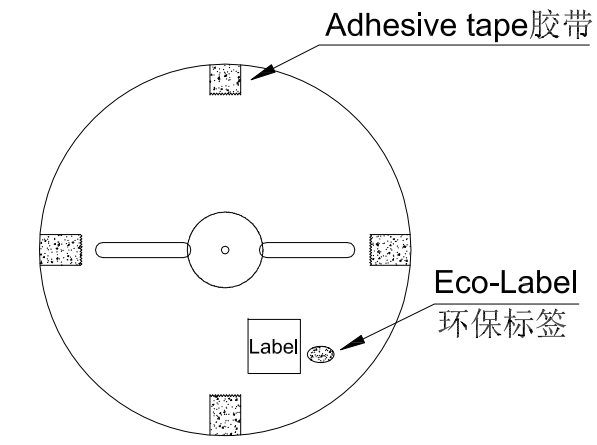
DATE	REV	ECN NO.	DESCRIPTION	MODIFY	APPROVAL
1					
2					
3					
4					

1 2 3 4 5 6 7 8

RoHS

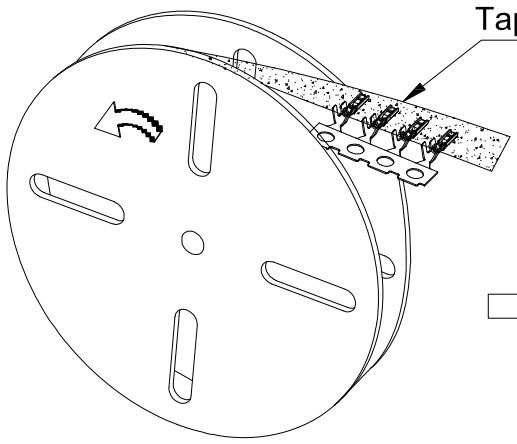
包装图

F  
E  
D  
C  
B  
A

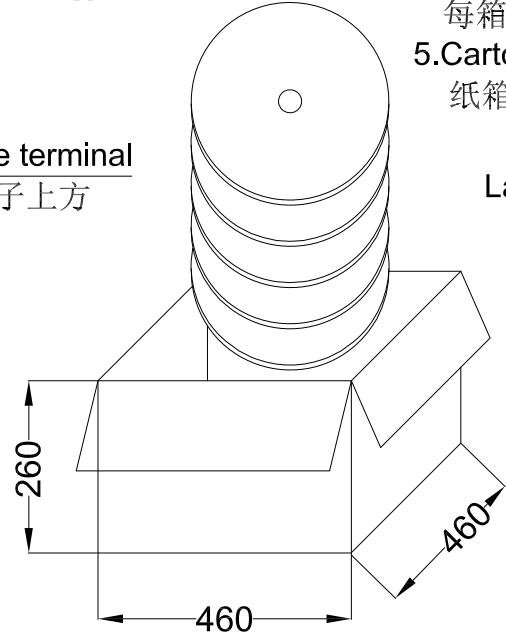


Note 注解:

- Quantity 数量:  
15K PCS/REEL 一卷15K/PCS  
10 REEL/BOX 一箱10 卷  
150K PCS/BOX 一箱150K/PCS
- Each reel and outer box must be labeled and Eco-Label Respectively labeled  
每盘和外箱都必须有标签及环保标签分别标示
- Terminal winding direction as shown  
端子缠绕方向如左图所示
- There shall be no dirt such as deformation phenomenon, Mantissa box fillers must be used  
每箱不可有脏污, 变形现象, 尾数箱必须用填充物
- Carton material: K=K, Carton thickness: 6~7mm  
纸箱材质:K=K, 纸箱厚度:6~7mm

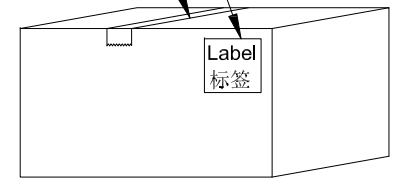


卷装方式  
Package way



Label unified on the box top right corner  
外箱标签位于右上角

Adhesive tape 胶带



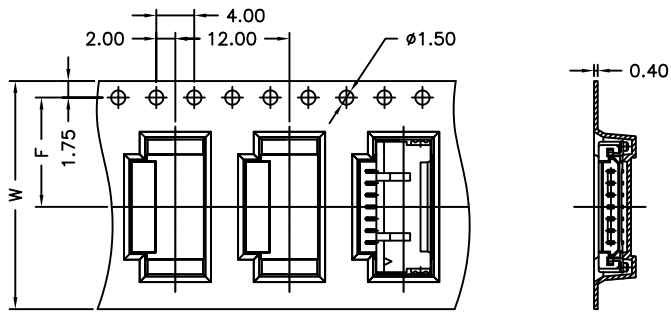
F  
E  
D  
C  
B  
A

					<b>GENERAL TOLERANCE</b> .X ±0.30 .XX ±0.20 .XXX ±0.10 X° ±0.2°		<b>GYA</b> 东莞市国亚电子有限公司 Connectors Dong Guan Guo Ya Connectors co., Ltd.		<b>PART NO.</b> A1251T-XXX			
					APPROVAL Yangzhengguo		CHECK Yangzhengyi		DRAWN Lvtiansheng		DATE 2016/08/26	
					TITLE: 1.25mm Terminal Packing		UNIT mm		SCALE 1:1		SHEET 1/1	
					REV A0		NUMBER A-053					
DATE	REV	ECN NO.	DESCRIPTION	MODIFY	APPROVAL							

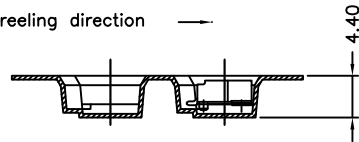
1 2 3 4 5 6 7 8

RoHS 包装图

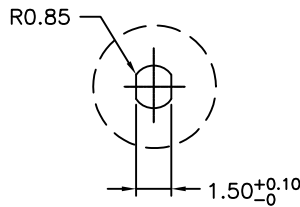
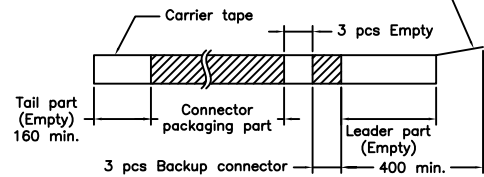
02~07 Contacts



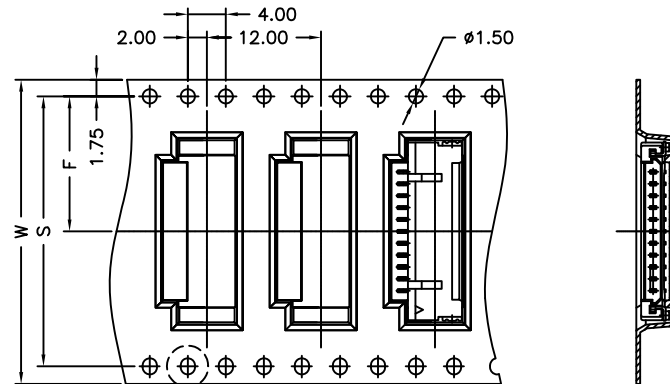
Unreeling direction



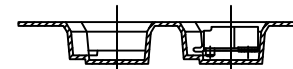
Top tape leader part



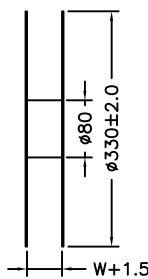
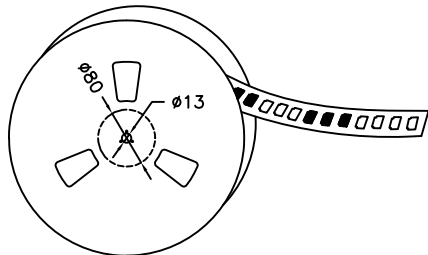
08~30 Contacts



Unreeling direction



Number of Contacts	W±0.3	F±0.1	S±0.1	Q'ty/Reel
02P	16	7.50	/	1,500
03P	24	7.50		1,500
04P	24	11.50		1,500
05P	24	11.50		1,500
06P	24	11.50		1,500
07P	24	11.50		1,500
08P	32	14.20		28.40
09P	32	14.20	28.40	1,500
10P	32	14.20	28.40	1,500
11P	32	14.20	28.40	1,500
12P	32	14.20	28.40	1,500
13P	44	14.20	28.40	1,500
14P	44	20.20	40.40	1,500
15P	44	20.20	40.40	1,500
20P	44	20.20	40.40	1,500
21P	44	20.20	40.40	1,500
25P	56	26.20	52.40	1,500
30P	56	26.20	52.40	1,500



NOTE:  
Material: Transparent  
Anti-static Polystyrene.



GENERAL TOLERANCE	
.X	±0.35
.XX	±0.25
.XXX	±0.15
X°	±0.2°

**GYA** 东莞市国亚电子有限公司  
Connectors Dong Guan Guo Ya Connectors co., Ltd.

APPROVAL	CHECK	DRAWN	DATE
Yangzhengguo	Yangzhengyi	Lvtiansheng	2016/08/26

PART NO.:		A1251WRS-XXX		
TITLE: 1.25mm Housing Packing				
UNIT	SCALE	SHEET	REV	NUMBER
mm	1:1	1/1	A0	A-043

DATE	REV	ECN NO.	DESCRIPTION	MODIFY	APPROVAL
1					
2					
3					
4					