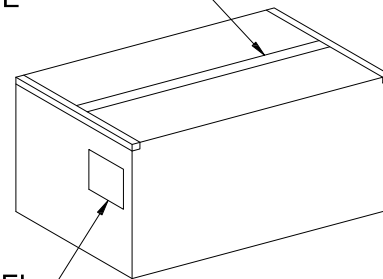


Note注解:

1. Put Housing in a PE bag, Packing detail see the table below
将 Housing放入PE袋内, 详细包装见下表
2. Put PE bag packed products in specifications of 465 * 280 * 290 mm cartons,
Packing detail see the table below
将装好产品的PE袋放入规格为465*280*290mm的纸箱内, 详细包装见下表
3. Label depends on customer request, carton opening joint with transparent tape
标签依客户要求而定, 纸箱开口处用透明胶带贴合.
4. Carton material: K=K, Carton thickness: 6~7mm
纸箱材质:K=K, 纸箱厚度:6~7mm



胶带ADHESIVE TAPE



Poles	Bag PCS	CARTON Bag	CARTON PCS
02	2000	200	400K
03	1000	300	300K
04	1000	200	200K
05	1000	150	150K
06	1000	120	120K
07	1000	100	100K
08	1000	100	100K
09	1000	80	80K
10	1000	80	80K
11	1000	60	60K
12	1000	60	60K
13	1000	60	60K
14	1000	60	60K
15	1000	60	60K
16	1000	60	60K

DATE	REV	ECN NO.	DESCRIPTION	MODIFY	APPROVAL
1					
2					
3					
4					

GENERAL TOLERANCE

.X	±0.35
.XX	±0.25
.XXX	±0.15
X°	±0.2°



东莞市国亚电子有限公司
Dong Guan Guo Ya Connectors co., Ltd.

APPROVAL

CHECK

DRAWN

DATE

Yangzhengguo

Yangzhengyi

Lvtiansheng

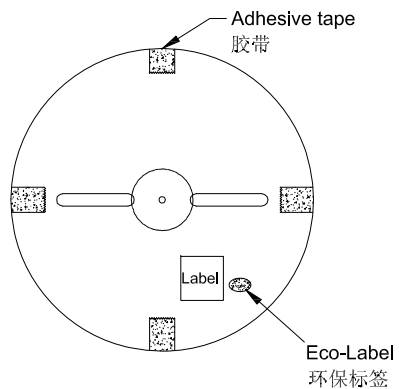
2016/08/26

PART NO.: A1250H-XXX

TITLE: 1.25mm Housing Packing

UNIT	SCALE	SHEET	REV	NUMBER
mm	1:1	1/1	A0	A-043

RoHS 包装图



Note 注解:

1. Quantity 数量:

15K PCS/REEL 一卷15K/PCS

10 REEL/BOX 一箱10卷

150K PCS/BOX 一箱150K/PCS

2. Each reel and outer box must be labeled and Eco-Label Respectively labeled

每盘和外箱都必须有标签及环保标签分别标示

3. Terminal winding direction as shown

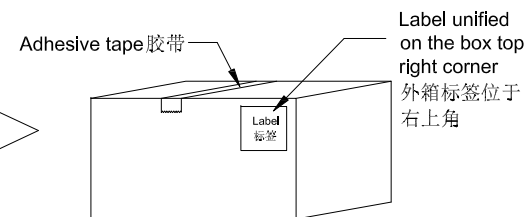
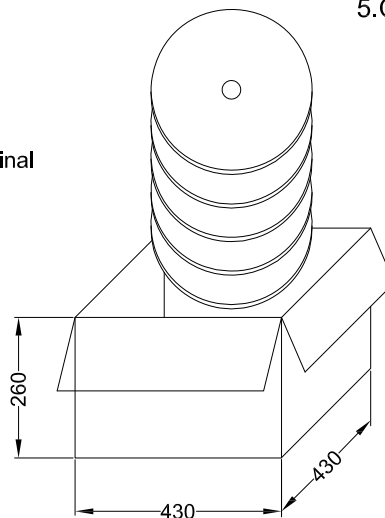
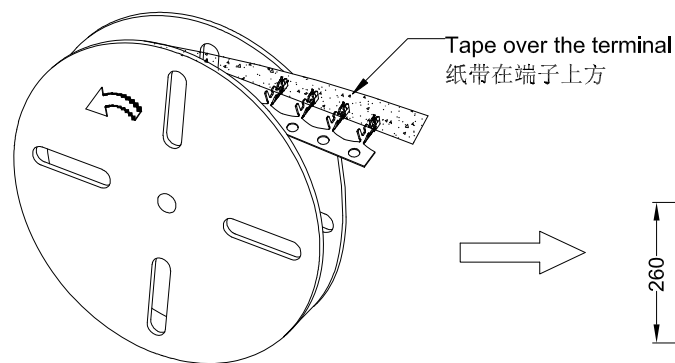
端子缠绕方向如左图所示

4. There shall be no dirt such as deformation phenomenon, Mantissa box fillers must be used

每箱不可有脏污, 变形现象, 尾数箱必须用填充物

5. Carton material: K=K, Carton thickness: 6~7mm

纸箱材质:K=K, 纸箱厚度: 6~7mm



卷装方式
Package way

GENERAL TOLERANCE

.X	±0.35
.XX	±0.25
.XXX	±0.15
X°	±0.2°



东莞市国亚电子有限公司
Dong Guan Guo Ya Connectors co., Ltd.

PART NO.: A1250T-XXX

TITLE:
1.25mm Terminal Packing

APPROVAL CHECK DRAWN DATE

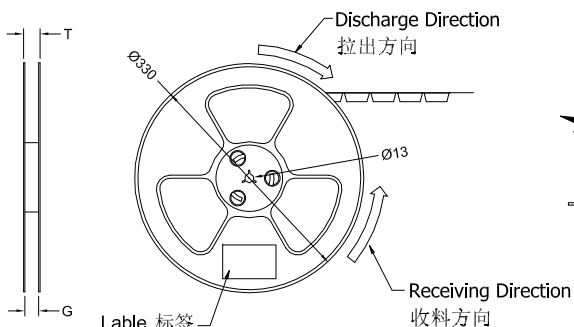
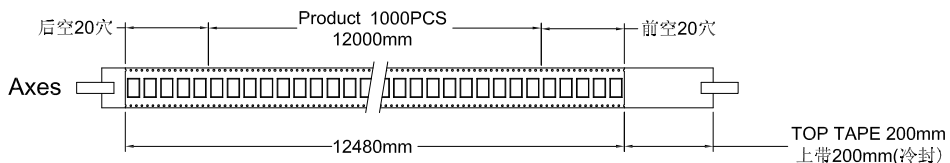
Yangzhengguo Yangzhengyi Lvtiansheng 2016/08/26

UNIT	SCALE	SHEET	REV	NUMBER
mm	1:1	1/1	A0	A-022

DATE	REV	ECN NO.	DESCRIPTION	MODIFY	APPROVAL
1					

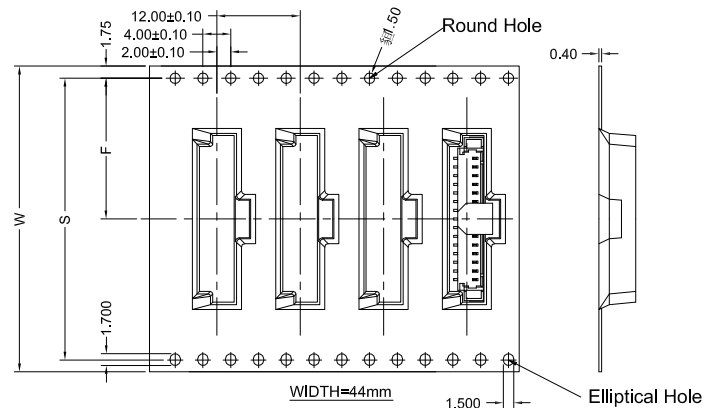
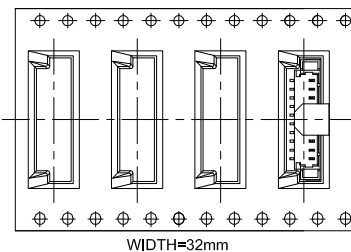
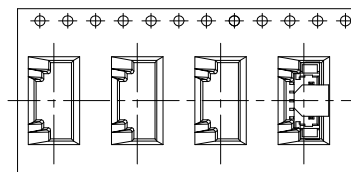
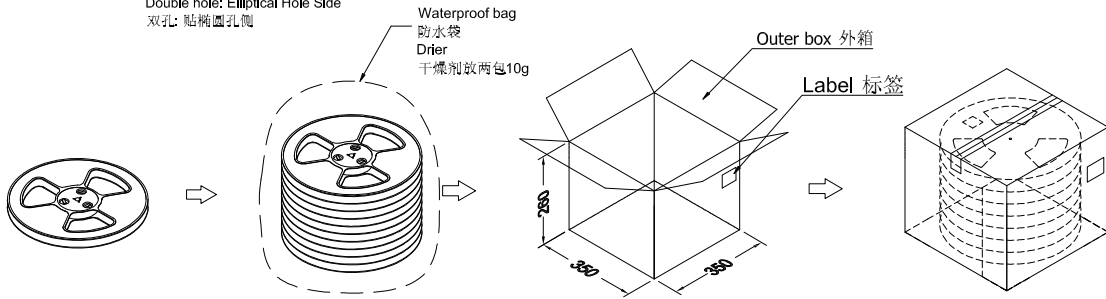
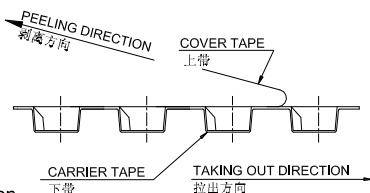


RoHS 包装图



COVER TAPE PEEL STRENGTH:20~120g
剥离力量20~120g

速度 PEEL SPEED:300mm/minute



Note:

- Carrier Camber Is Within 1mm In 100mm ; 带长100mm 内容许弯曲度1mm
- 10 Sprocket Hole Pitch Cumulative Tolerance±0.2MM; 圆孔十个孔距累积允许公差为±0.2mm
- Carrier tape material for PS; 下带材质为PS材质; Color颜色:Natural透明色
- bracer保护带: Color颜色:Natural透明色, 厚度0.40mm最小
- Thickness=0.40±0.05; 材料厚度为0.40±0.05mm
- Carton material 纸箱材质:K=K; Carton Thickness 纸箱厚度: 6~7mm

	Pin No.	W	S	F	T	G	REEL /PCS	CARTON /R	CARTON /PCS
A1250WVS-XXX	A1250WVS-02	16	/	7.50	20.50	16.50	1000	11R	11000
	A1250WVS-03								
	A1250WVS-04								
	A1250WVS-05	24	/	11.50	28.50	24.50	1000	8R	8000
	A1250WVS-06								
	A1250WVS-10	32	28.40	14.20	36.50	32.50	1000	6R	6000
A1250WVS-15	44	40.40	20.20	48.50	44.50	1000	5R	5000	

GENERAL TOLERANCE

.X	±0.35
.XX	±0.25
.XXX	±0.15
X°	±0.2°



东莞市国亚电子有限公司
Dong Guan Guo Ya Connectors co., Ltd.

PART NO.:

PPN:A1250WVS-XXX

TITLE:

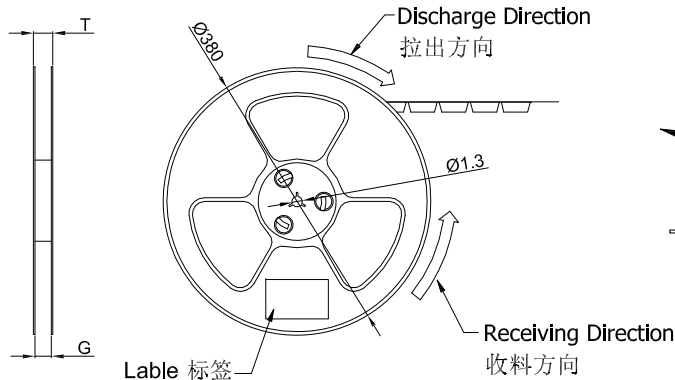
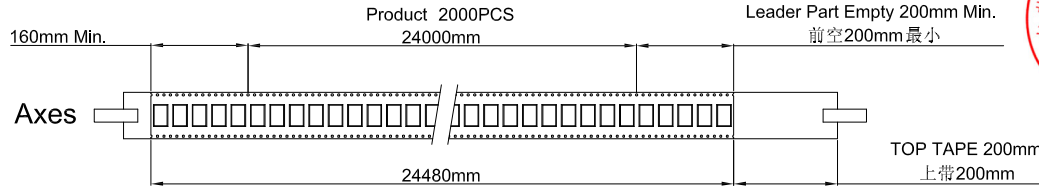
1.25mm SMT 180° Packing

APPROVAL	CHECK	DRAWN	DATE
Yangzhengguo	Yangzhengyi	Lvtiansheng	2016/08/26

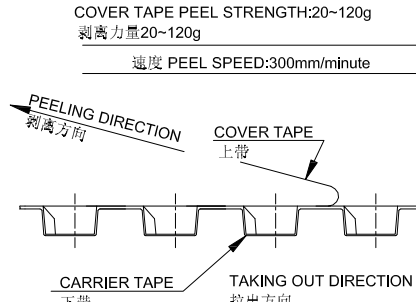
UNIT	SCALE	SHEET	REV	NUMBER
mm	1:1	1/1	A0	A-007

DATE	REV	ECN NO.	DESCRIPTION	MODIFY	APPROVAL
1					
2					
3					
4					

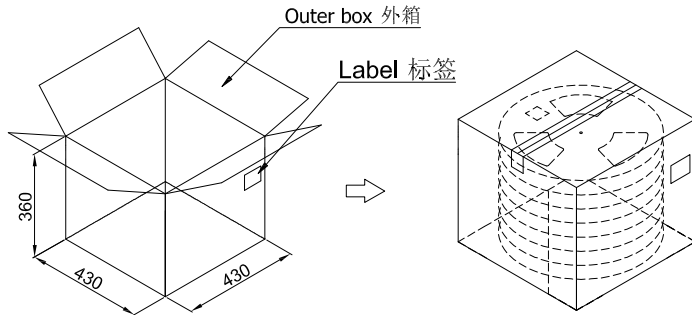
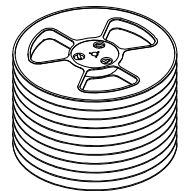
RoHS 包装图



Single hole: None Hole Side
单孔: 贴无链孔侧
Double hole: Elliptical Hole Side
双孔: 贴椭圆孔侧

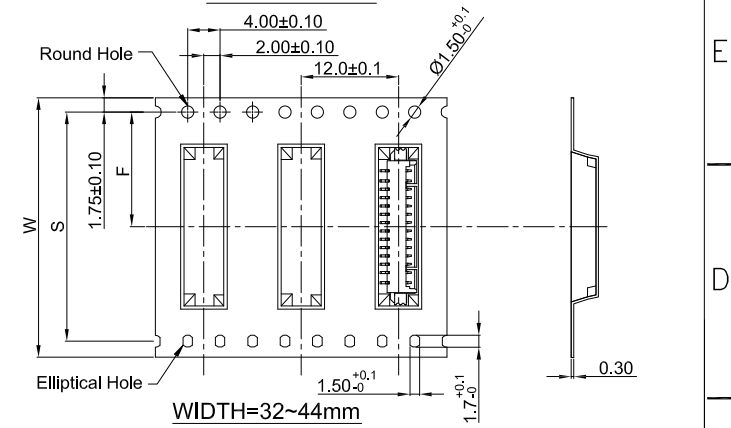
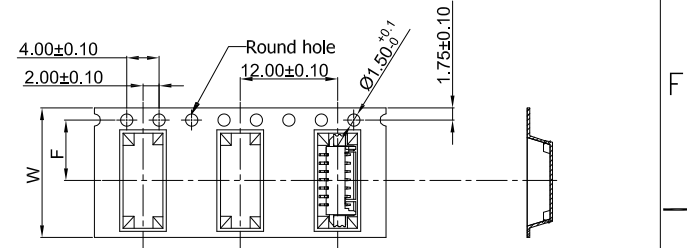


COVER TAPE PEEL STRENGTH:20~120g
剥离力量20~120g
速度 PEEL SPEED:300mm/minute



Note:

- Carrier Camber Is Within 1mm In 100mm; 带长100mm 内容许弯曲度1mm
- 10 Sprocket Hole Pitch Cumulative Tolerance±0.2MM; 圆孔十个孔距离累计允许公差为±0.2mm
- Materiaal for PS; 材质为PS材质
- Thinkess=0.30±0.05; 材料厚度为0.30±0.05mm
- Carton material 纸箱材质:K=K; Carton Thickness 纸箱厚度: 6~7mm



Pln No.	W	S	F	T	G	REEL /PCS	CARTON /R	CARTON /PCS
A1250WRS-02	16	/	7.50	20.50	16.40	2000	16R	32000
A1250WRS-03								
A1250WRS-04								
A1250WRS-05	24	/	11.50	28.50	24.40	2000	12R	24000
A1250WRS-06								
A1250WRS-07								
A1250WRS-08								
A1250WRS-09	32	28.40	14.20	36.50	32.40	2000	9R	18000
A1250WRS-10								
A1250WRS-11								
A1250WRS-12								
A1250WRS-13								
A1250WRS-14								
A1250WRS-15								
A1250WRS-16	44	40.40	20.20	48.50	44.40	2000	7R	14000
A1250WRS-17								
A1250WRS-18								
A1250WRS-19								
A1250WRS-20								

GENERAL TOLERANCE

.X	±0.35
.XX	±0.25
.XXX	±0.15
X°	±0.2°

GYA 东莞市国亚电子有限公司
Connectors Dong Guan Guo Ya Connectors co., ltd.

PART NO.:
CPN:A1250WRS-XXX

APPROVAL: Yangzhengguo
CHECK: Yangzhengyi
DRAWN: Lvtiensheng
DATE: 2016/08/26

TITLE:
1.25mm SMT 90° Packing

UNIT	SCALE	SHEET	REV	NUMBER
mm	1:1	1/1	A0	A-007

DATE	REV	ECN NO.	DESCRIPTION	MODIFY	APPROVAL
1					
2					
3					
4					
5					