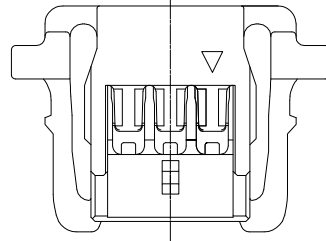
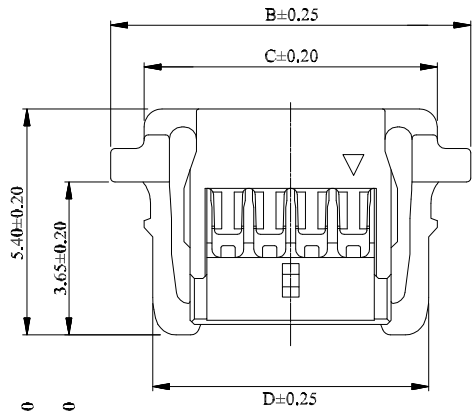
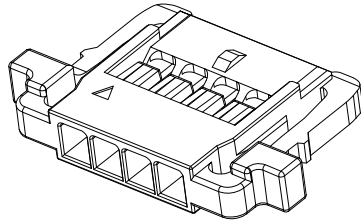
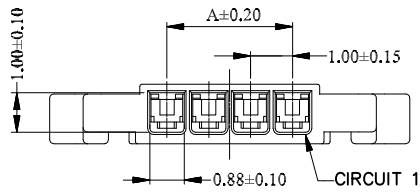
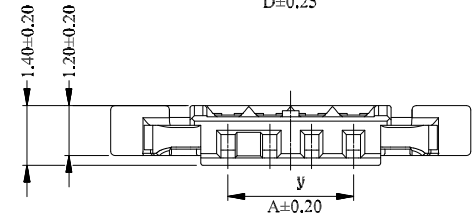
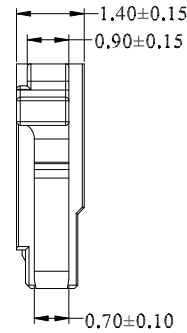


RoHS



2PIN-4PIN



■ Specifications(规格):

- Voltage rating(额定电压): 150V AC / DC
- Current rating(额定电流): 2A AC / DC
- Withstanding voltage(耐压值): 500V AC/minute
- Temperature range(工作温度): -25°C~+85°C
- Insulation resistance(绝缘电阻): ≥1000MΩ
- Contact resistance(接触电阻): ≤20mΩ
- After environmental testing(环境测试后): ≤40mΩ

A1007 H XXX  
① ② ③

- ① 系列
- ② 类别:  
H-HSG
- ③ PIN数



Poles	Dimensions(mm)			
	A	B	C	D
02	1.00	6.60	5.00	4.60
03	2.00	7.60	6.00	5.60
04	3.00	8.60	7.00	6.60
05	4.00	9.60	8.00	7.60
06	5.00	10.60	9.00	8.60
07	6.00	11.60	10.00	9.60
08	7.00	12.60	11.00	10.60

A1007H-XXX	PA66 UL94V-0	A1007T	A1007WRS	1,000Pcs
PART NO	Material	Suitable GYA Terminal	Mates With GYA Wafer	Q'ty/Bag

GENERAL TOLERANCE

.X	±0.30
.XX	±0.20
.XXX	±0.10
X.*	±2°

PROJECT



东莞市国亚电子有限公司  
Dong Guan Guo Ya Connectors co., Ltd.

APPROVAL	CHECK	DRAWN	DATE
Yangzhengguo	Yangzhengyl	Lvtiansheng	2016/08/26

PARTNO.  
A1007H-XXX

TITLE  
1.00 mm Crimp Style Connectors

UNIT	SCALE	SHEET	REV	NUMBER
mm	1:1	1/1	A0	A-022

DATE	REV	ECN NO	DESCRIPTION	MODIFY	APPROVAL
1					

RoHS

■ Specifications(规格):

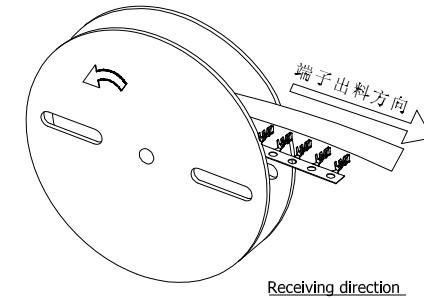
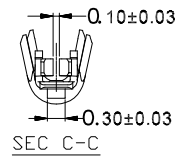
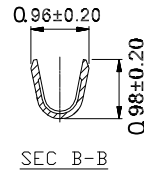
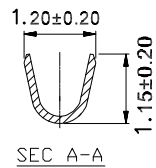
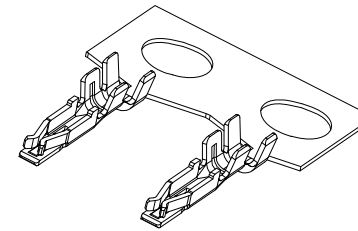
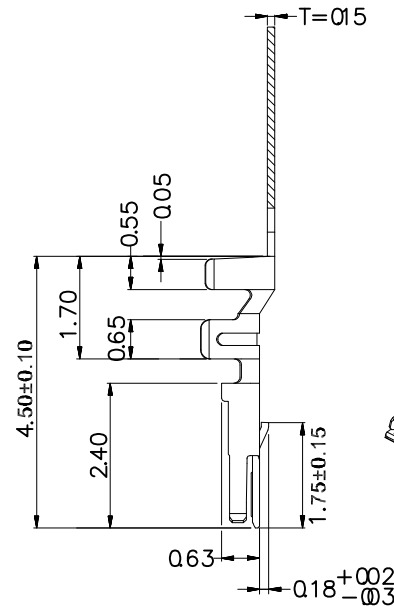
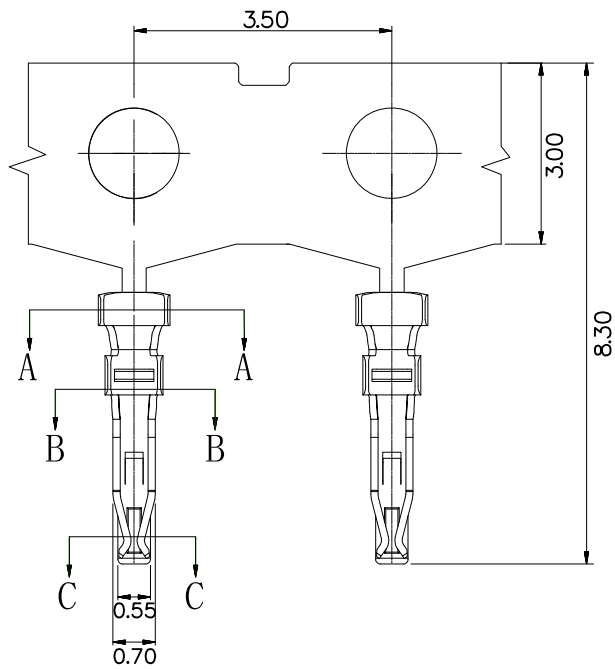
- Voltage rating(额定电压): 50V AC / DC
- Current rating(额定电流): 1A AC / DC
- Withstanding voltage(耐压值): 500V AC/minute
- Temperature range(工作温度): -25°C~+85°C
- Insulation resistance(绝缘电阻): ≥100MΩ
- Contact resistance(接触电阻): ≤20mΩ
- After environmental testing(环境测试后): ≤30mΩ



A1007 T XXX

① ② ③

- ① 系列
- ② 类别:  
T-端子
- ③ 材质:  
P-磷铜  
电镀类别:V\*\*-镀全金  
SN-镀亮锡(70-100U)



A1007T-PV01	Phosphor Bronze	AWG#28-30	0.50-0.70mm(Max)	Stamping Before Pating:30~50u" Ni;Whole Gold :1u" Min.	A1007H	20,000Pes
A1007T-PSN				Stamping Before Plating:30u" Ni;70u"Sn Min.		
PART NO	Material	Wire Range	Insulation O.D.	Finish	Used In GYA Housing	Q' ty/Reel

GENERAL TOLERANCE

.X ±0.30

.XX ±0.20

.XXX ±0.10

X.\* ±2°

PROJECT



东莞市国亚电子有限公司  
Dong Guan Guo Ya Connectors co., ltd.

PARTNO.  
A1007T-XXX

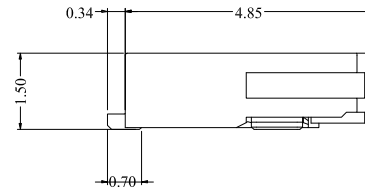
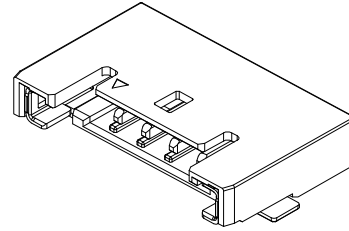
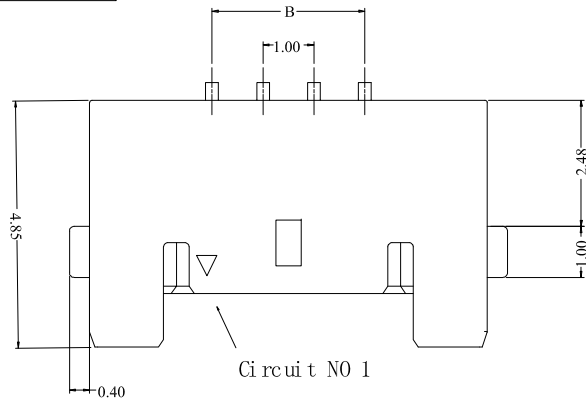
TITLE  
1.00 mm Crimp Style Connectors

APPROVAL	CHECK	DRAWN	DATE
Yangzhengguo	Yangzhengyi	Lvtiansheng	2016/08/26

UNIT	SCALE	SHEET	REV	NUMBER
mm	1:1	1/1	A0	A-022

DATE	REV	ECN NO	DESCRIPTION	MODIFY	APPROVAL

RoHS

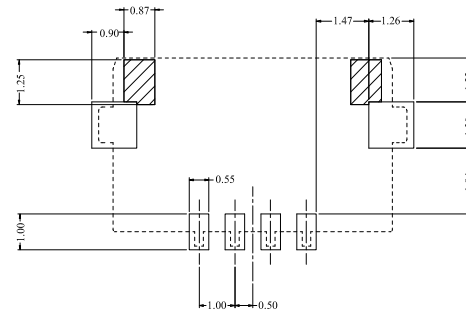
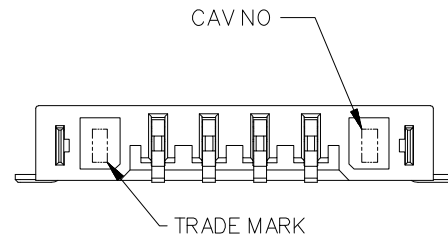
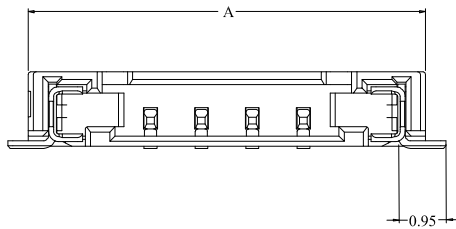


■ Specifications(规格) :

- Voltage rating(额定电压): 150V AC / DC
- Current rating(额定电流): 1.5A AC / DC
- Withstanding voltage(耐压值): 500V AC/minute
- Temperature range(工作温度): -25°C~+85°C
- Insulation resistance(绝缘电阻): 1000M
- Contact resistance(接触电阻): 20m
- After environmental testing(环境测试后): 40m

■ Wafer (针座)

- Part No. (料号) :M1006WRS-XX
- Poles (PIN数) : 2-6
- Material (材质) : PA4T UL 94V-0
- Pin 针: Phosphor Bronze (磷铜)
- Finish: Gold Flash (镀金)
- 定位片: Brass (黄铜)
- Finish: Tin-Plated (镀锡)



Recommended P.C.B Layout

Contacts	Dimensions(mm)	
	Dim A	Dim B
2	5.80	1.00
3	6.80	2.00
4	7.80	3.00
5	8.80	4.00
6	9.80	5.00

GENERAL TOLERANCE

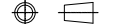
.X ±0.30

.XX ±0.20

.XXX ±0.10

X.\* ±2°

PROJECT



东莞市国亚电子有限公司  
Dong Guan Guo Ya Connectors co., Ltd.

APPROVAL

Yangzhengguo

CHECK

Yangzhengyi

DRAWN

Lvliansheng

DATE

2016/08/26

PARTNO.

A1007WRS-XXX

TITLE

1.00 mm Crimp Style Connectors

UNIT SCALE SHEET REV NUMBER

mm 1:1 1/1 A0 A-022

DATE	REV	ECN NO	DESCRIPTION	MODIFY	APPROVAL
1					
2					
3					
4					
5					