

RoHS

包装图

Note注解:

1. Put Housing in a PE bag, PE bag gauge for: 130 * 135 * 0.10 mm, Packing detail see the table below

将 Housing放入PE袋内, PE袋规为:130*135*0.10mm, 详细包装见下表

2. Put PE bag packed products in specifications of 470 * 280 * 270 mm cartons, Packing detail see the table below

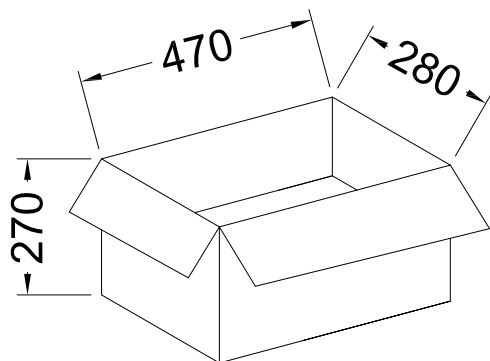
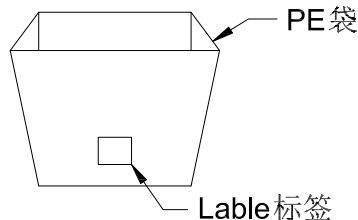
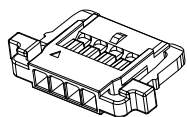
将装好产品的PE袋放入规格为 470 * 280 * 270mm的纸箱内, 详细包装见下表

3. Label depends on customer request, carton opening joint with transparent tape

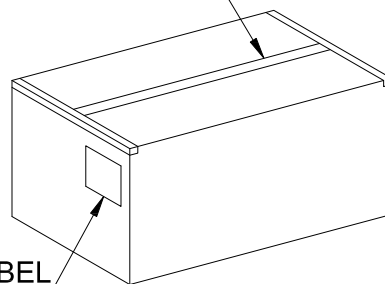
标签依客户要求而定, 纸箱开口处用透明胶带贴合.

4. Carton material: K=K, Carton thickness: 6~7mm

纸箱材质:K=K, 纸箱厚度:6~7mm



胶带ADHESIVE TAPE



Poles	Bag PCS	CARTON Bag	CARTON PCS
02	1000	400	400K
03	1000	400	400K
04	1000	350	350K
05	1000	350	350K
06	1000	300	300K
07	1000	300	300K
08	1000	250	250K
09	1000	250	250K
10	1000	200	200K

GENERAL TOLERANCE

.X ±0.30

.XX ±0.20

.XXX ±0.10

X° ±0.2°



东莞市国亚电子有限公司
Dong Guan Guo Ya Connectors co., Ltd.

PART NO.:

A1007H-XXX

TITLE:

1.00mm Housing Package

APPROVAL

CHECK

DRAWN

DATE

Yangzhengguo

Yangzhengyi

Lvtiansheng

2016/08/26

UNIT

SCALE

SHEET

REV

NUMBER

mm

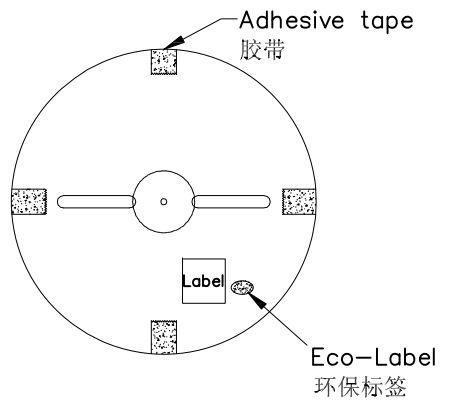
1:1

1/1

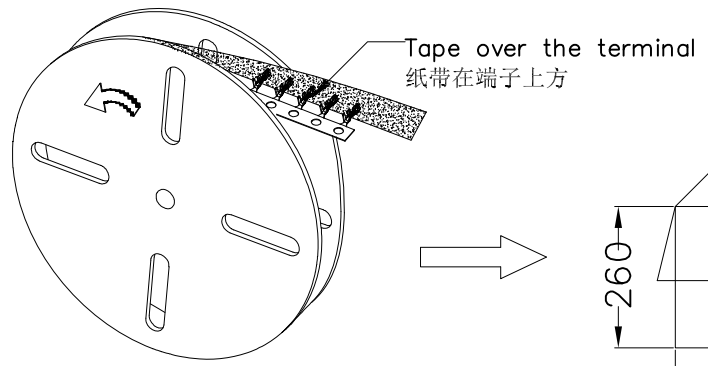
A0

A-022

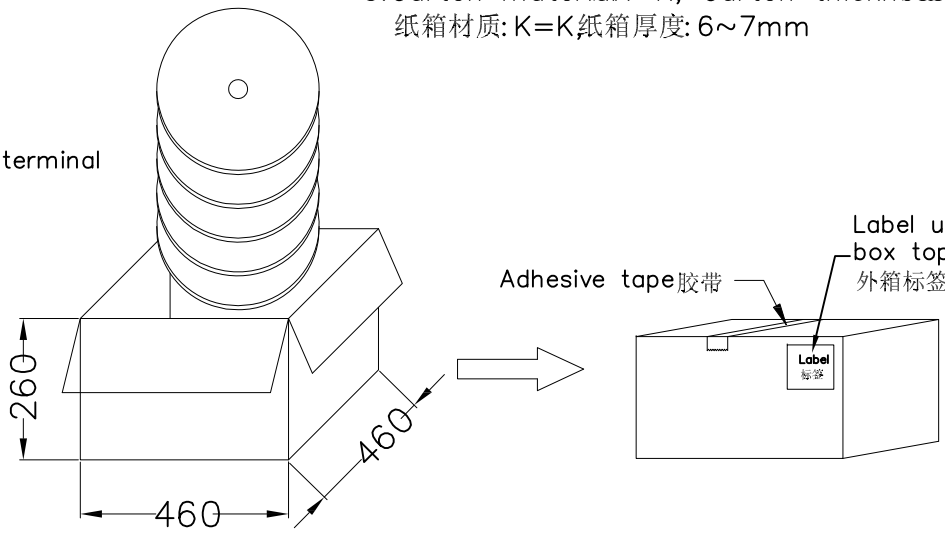
DATE	REV	ECN NO	DESCRIPTION	MODIFY	APPROVAL
1					
2					
3					
4					



- Note 注解:
- Quantity 数量:
20K PCS/REEL 一卷20K/PCS
10 REEL/BOX 一箱10卷
200K PCS/BOX 一箱200K/PCS
 - Each reel and outer box must be labeled and Eco-Label Respectively labeled
每盘和外箱都必须有标签及环保标签分别标示
 - Terminal winding direction as shown
端子缠绕方向如左图所示
 - There shall be no dirt such as deformation phenomenon, Mantissa box fillers must be used
每箱不可有脏污, 变形现象, 尾数箱必须用填充物
 - Carton material K=K, Carton thickness ± 1 mm
纸箱材质: K=K 纸箱厚度: 6~7mm



卷装方式
Package way



					GENERAL TOLERANCE .X ± 0.30 .XX ± 0.20 .XXX ± 0.10 X° $\pm 0.2^\circ$		GYA 东莞市国亚电子有限公司 Connectors Dong Guan Guo Ya Connectors co., ltd.		PARTNO. A1007T-XXX	
					APPROVAL Yangzhengguo		CHECK Yangzhengyi		DRAWN Lvtiansheng	
					DATE 2016/08/26		TITLE 1.00mm Terminal Packing		UNIT mm	
DATE	REV	ECN NO	DESCRIPTION	MODIFY	APPROVAL				SCALE	SHEET
									1:1	1/1
									REV	NUMBER
									A0	A-014