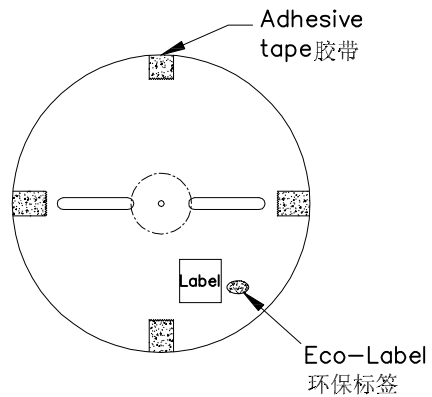
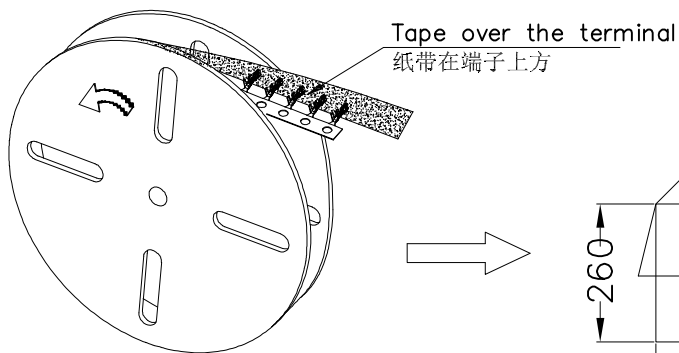


RoHS 包装图

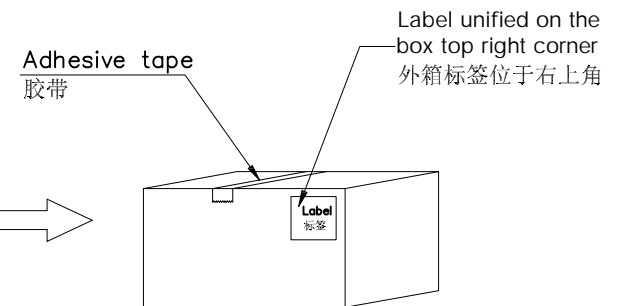
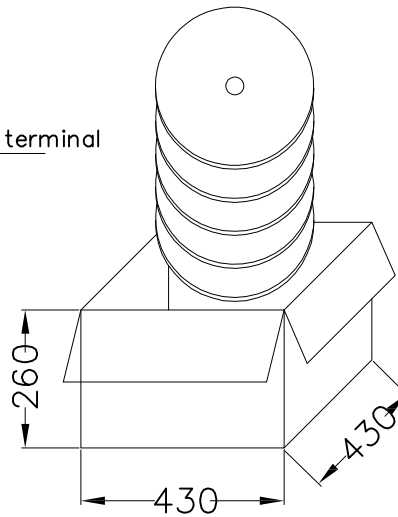


Note 注解:

- Quantity 数量:  
15K PCS/REEL 一卷15K/PCS  
10 REEL/BOX 一箱10卷  
150K PCS/BOX 一箱150K/PCS
- Each reel and outer box must be labeled and Eco-Label Respectively labeled  
每盘和外箱都必须有标签及环保标签分别标示
- Terminal winding direction as shown  
端子缠绕方向如左图所示
- There shall be no dirt such as deformation phenomenon, Mantissa box fillers must be used  
每箱不可有脏污, 变形现象, 尾数箱必须用填充物
- Carton material=K, Carton thickness : 6±1mm  
纸箱材质: K=K 纸箱厚度: 6~7mm



卷装方式  
Package way



GENERAL TOLERANCE	
.X	±0.30
.XX	±0.20
.XXX	±0.10
X.	±0.2



东莞市国亚电子有限公司  
Dong Guan Guo Ya Connectors co., l.td.

PART NO. :  
A1003T-XXX

TITLE :  
1.00mm Terminal Packing

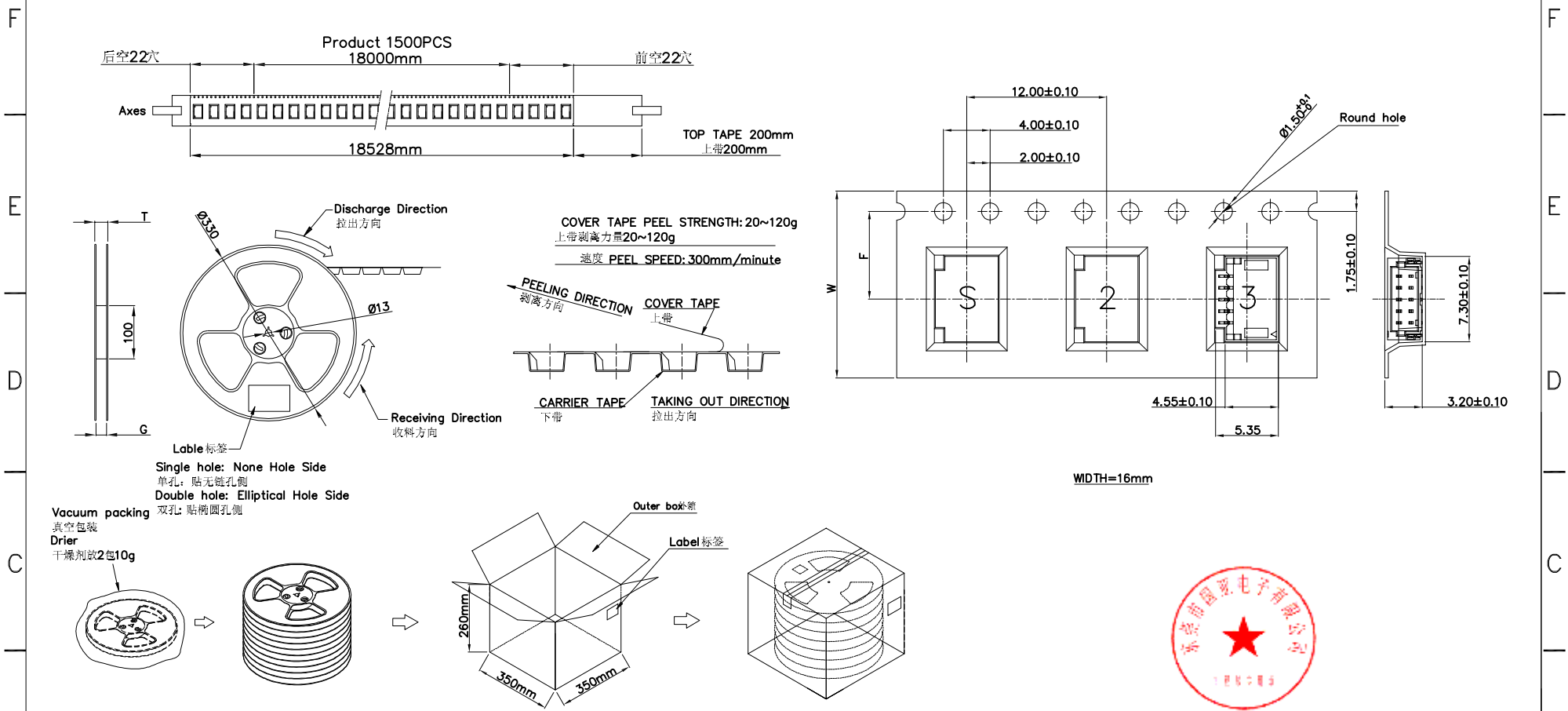
DATE	REV	ECN NO.	DESCRIPTION	MODIFY	APPROVAL
------	-----	---------	-------------	--------	----------

APPROVAL	CHECK	DRAWN	DATE
Yangzhengguo	Yangzhengyi	Lvtiansheng	2016/08/26

UNIT	SCALE	SHEET	REV	NUMBER
mm	1:1	1/1	A0	A-014

1 | 2 | 3 | 4 | 5 | 6 | 7 | 8

RoHS 包装图



COVER TAPE PEEL STRENGTH: 20~120g  
 上带剥离力量20~120g  
 速度 PEEL SPEED: 300mm/minute

Vacuum packing  
 真空包装  
 Drier  
 干燥剂2包10g

- Note:
1. Carrier Camber Is Within 1mm In 100mm ; 带长100mm内容许弯曲度1mm
  2. 10 Sprocket Hole Pitch Cumulative Tolerance±0.2MM ; 圆孔十个孔距离累计允许公差为±0.2mm
  3. Material for PS ; 材质为PS材质 ; Color 颜色: Natural 透明色
  4. bracer护带: Color 颜色: Natural 透明色
  5. Thinkess=0.30±0.05 ; 材料厚度为0.30±0.05mm
  6. Carton material 纸箱材质: K=K; Carton Thickness 纸箱厚度: 6~7mm

Part No.	W	S	F	T (MAX)	G(MAX)	REEL /PCS	CARTON /R	CARTON /PCS
A1003WRS-05HF	16	/	7.50	22.50	16.50	1500	11R	16500

DATE	REV	ECN NO.	DESCRIPTION	MODIFY	APPROVAL	GENERAL TOLERANCE	PART NO. : PPN: A1003WRS-05-LPSN								
						.X ±0.30	PART NO. :								
						.XX ±0.20	PPN: A1003WRS-05-LPSN								
						.XXX ±0.10	TITLE :								
						X° ±0.2°	1.00mm Connectors SM <sup>2</sup> 90° Packing								
						视角	APPROVAL	CHECK	DRAWN	DATE	UNIT	SCALE	SHEET	REV	NUMBER
							Yangzhengguo	Yangzhengyi	Lvtiansheng	2016/08/26	mm	1:1	1/1	A0	A-205

**GYA** 东莞市国亚电子有限公司  
 Connectors Dong Guan Guo Ya Connectors co.,ltd.

