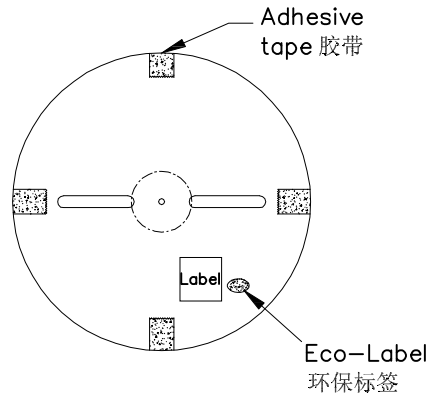


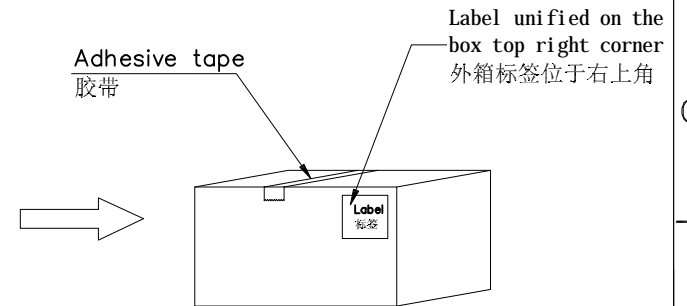
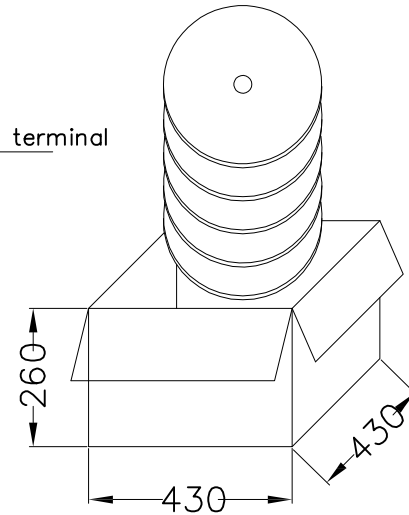
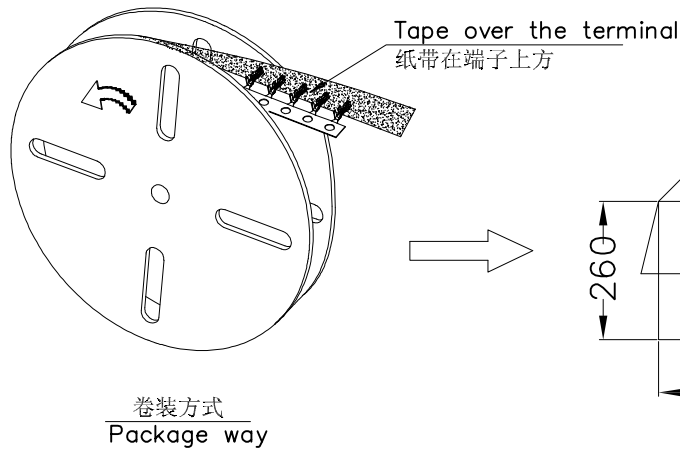
RoHS

包装图



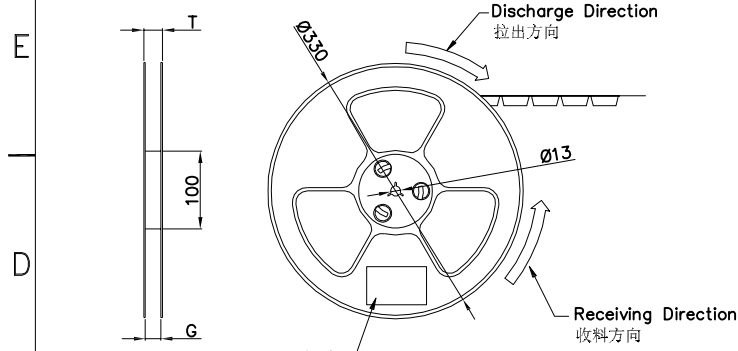
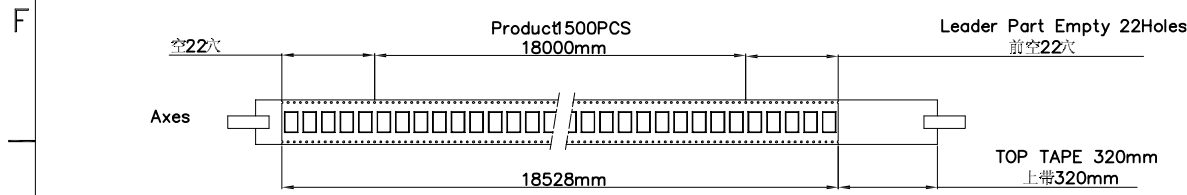
Note 注解:

- Quantity 数量:
15K PCS/REEL 一卷15K/PCS
10 REEL/BOX 一箱10卷
150K PCS/BOX 一箱150K/PCS
- Each reel and outer box must be labeled and Eco-Label Respectively labeled
每盘和外箱都必须有标签及环保标签分别标示
- Terminal winding direction as shown
端子缠绕方向如左图所示
- There shall be no dirt such as deformation phenomenon, Mantissa box fillers must be used
每箱不可有脏污, 变形现象, 尾数箱必须用填充物
- Carton material : K=K, Carton thickness: 6±1mm
纸箱材质: K=K, 纸箱厚度: 6~7mm

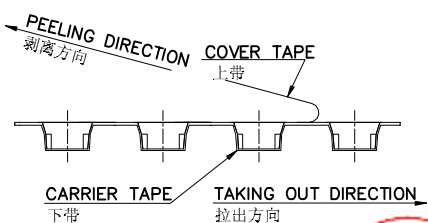


					GENERAL TOLERANCE		GYA 东莞市国亚电子有限公司 Dong Guan Guo Ya Connectors co., Ltd.		PARTNO. A1002T-XXX			
					.X ±0.30		APPROVAL		CHECK			
					.XX ±0.20		Yangzhengguo		Yangzhengyi			
					.XXX ±0.10		DRAWN		DATE			
					X° ±0.2°		Lviansheng		2016/08/26			
DATE	REV	ECN NO	DESCRIPTION	MODIFY	APPROVAL	视图						
1						☉						
2						☐						
3												
4												
5												
6												
7												
8												
								UNIT	SCALE	SHEET	REV	NUMBER
								mm	1:1	1/1	A0	A-014

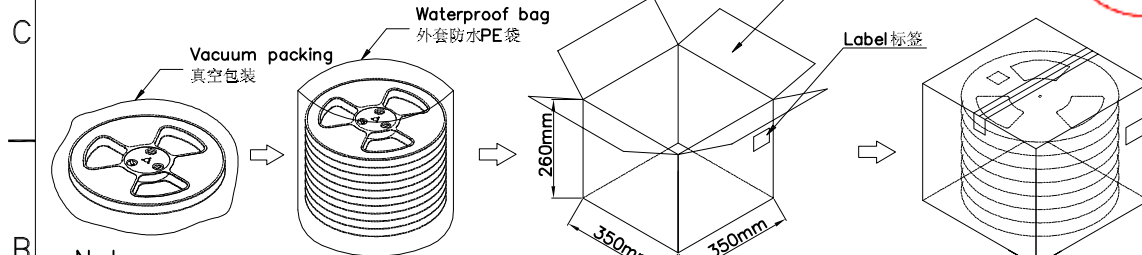
RoHS 包装图



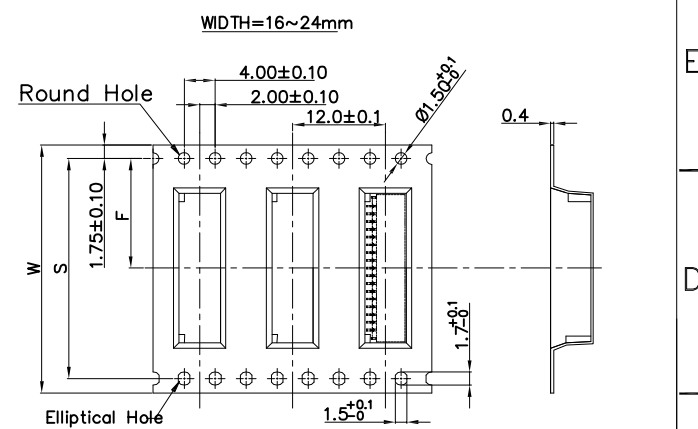
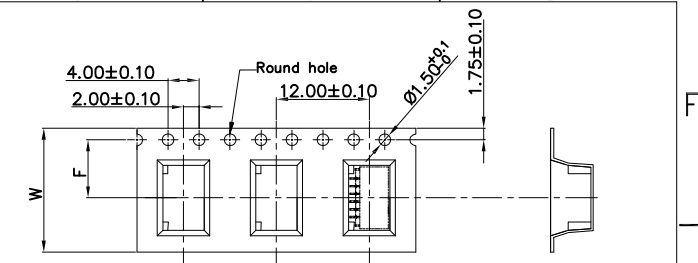
COVER TAPE PEEL STRENGTH: 20~120g
 上带剥离力量20~120g
 速度 PEEL SPEED: 300mm/minute



Single hole: None Hole Side
 单孔: 贴无链孔侧
 Double hole: Elliptical Hole Side
 双孔: 贴椭圆孔侧



- Note:**
- Carrier Camber Is Within 1mm In 100mm ; 带长100mm 内容许弯曲度1mm
 - 10 Sprocket Hole Pitch Cumulative Tolerance±0.2MM ; 圆孔十个孔距离累计允许公差为±0.2mm
 - Carrier tape material for PS ; 下带材质为PS材质; Color 颜色: Natural 透明色
 - bracer 保护带: Color 颜色: Natural 透明色, 厚度0.40mm 最小
 - Thickness=0.40±0.05 ; 材料厚度为0.40±0.05mm
 - Carton material 纸箱材质: K=K; Carton Thickness 纸箱厚度: 6~7mm



Part No.	W	S	F	T (MAX)	G(MAX)	REEL /PCS	CARTON /R	CARTON /PCS
A1002WRS-02	16	/	7.50	22.50	16.50	1500	11R	16500
A1002WRS-03								
A1002WRS-04								
A1002WRS-05								
A1002WRS-06								
A1002WRS-07								
A1002WRS-08								
A1002WRS-09								
A1002WRS-10	24	/	11.50	30.50	24.50	1500	8R	12000
A1002WRS-11								
A1002WRS-12								
A1002WRS-13								
A1002WRS-14								
A1002WRS-15								
A1002WRS-16	32	28.40	14.20	38.50	32.50	1500	6R	9000

DATE	REV	ECN NO	DESCRIPTION	MODIFY	APPROVAL
1					
2					
3					
4					
5					

GENERAL TOLERANCE	
.X	±0.30
.XX	±0.20
.XXX	±0.10
X.	±0.2°

GYA 东莞市国亚电子有限公司
 Connectors Dong Guan Guo Ya Connectors co.,ltd.

APPROVAL	CHECK	DRAWN	DATE
Yangzhengguo	Yangzhengyi	Lvtiansheng	2016/08/26

PARTNO. PPN: A1002WRS-XXX-XXXX				
TITLE				
1.00mm Connectors SMT 90° Packing				
UNIT	SCALE	SHEET	REV	NUMBER
mm	1:1	1/1	F	A-106