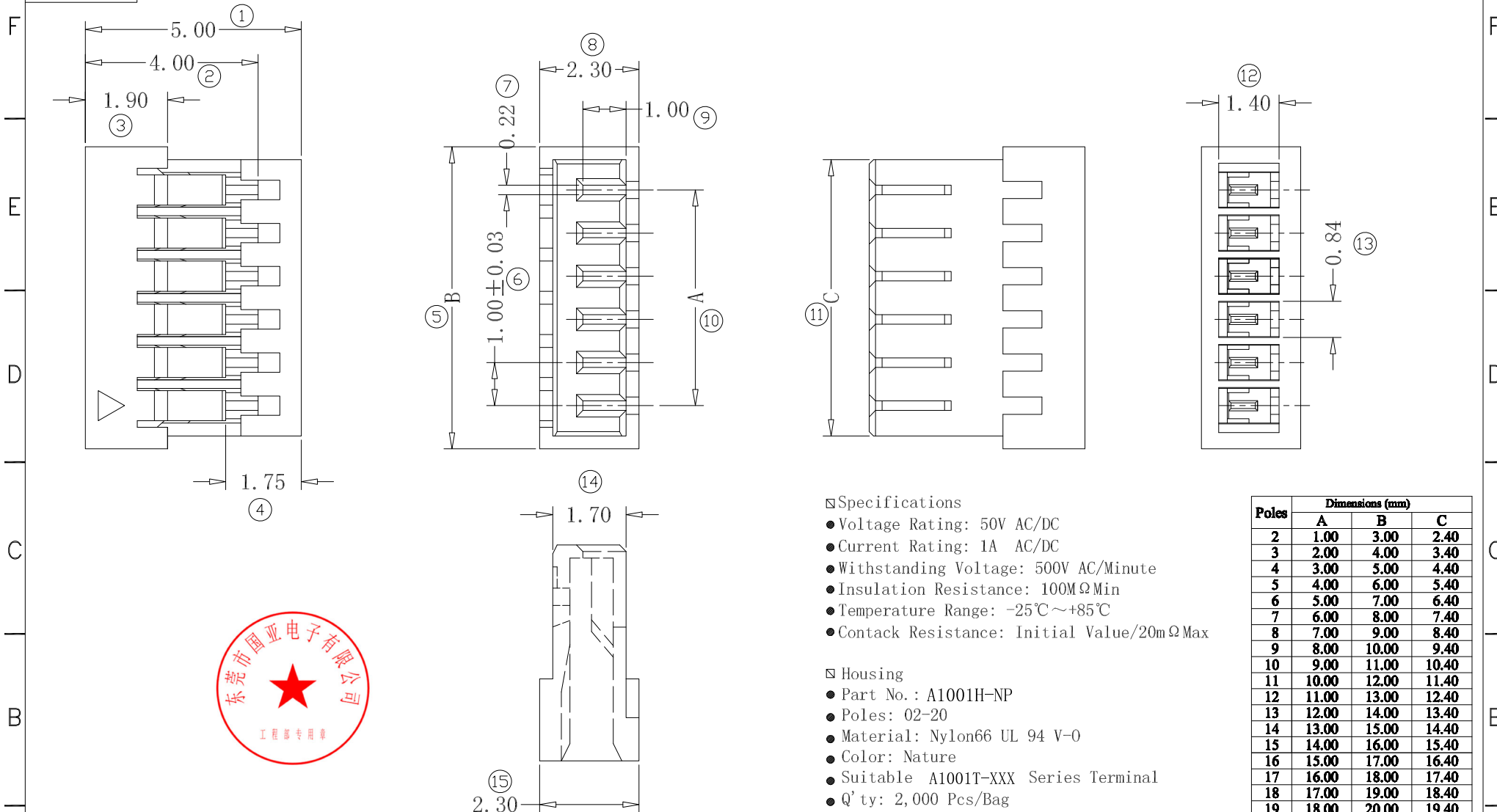


RoHS



Specifications

- Voltage Rating: 50V AC/DC
- Current Rating: 1A AC/DC
- Withstanding Voltage: 500V AC/Minute
- Insulation Resistance: 100MΩ Min
- Temperature Range: -25°C ~ +85°C
- Contact Resistance: Initial Value/20mΩ Max

Housing

- Part No.: A1001H-NP
- Poles: 02-20
- Material: Nylon66 UL 94 V-0
- Color: Nature
- Suitable A1001T-XXX Series Terminal
- Q'ty: 2,000 Pcs/Bag

Poles	Dimensions (mm)		
	A	B	C
2	1.00	3.00	2.40
3	2.00	4.00	3.40
4	3.00	5.00	4.40
5	4.00	6.00	5.40
6	5.00	7.00	6.40
7	6.00	8.00	7.40
8	7.00	9.00	8.40
9	8.00	10.00	9.40
10	9.00	11.00	10.40
11	10.00	12.00	11.40
12	11.00	13.00	12.40
13	12.00	14.00	13.40
14	13.00	15.00	14.40
15	14.00	16.00	15.40
16	15.00	17.00	16.40
17	16.00	18.00	17.40
18	17.00	19.00	18.40
19	18.00	20.00	19.40
20	19.00	21.00	20.40

GENERAL TOLERANCE

.X	±0.30
.XX	±0.20
.XXX	±0.10
X.*	±2°



东莞市国亚电子有限公司  
Dong Guan Guo Ya Connectors co., Ltd.

APPROVAL	CHECK	DRAWN	DATE
Yangzhengguo	Yangzhengyi	Lvtiansheng	2016/08/26

PARTNO.

A1001H-NP

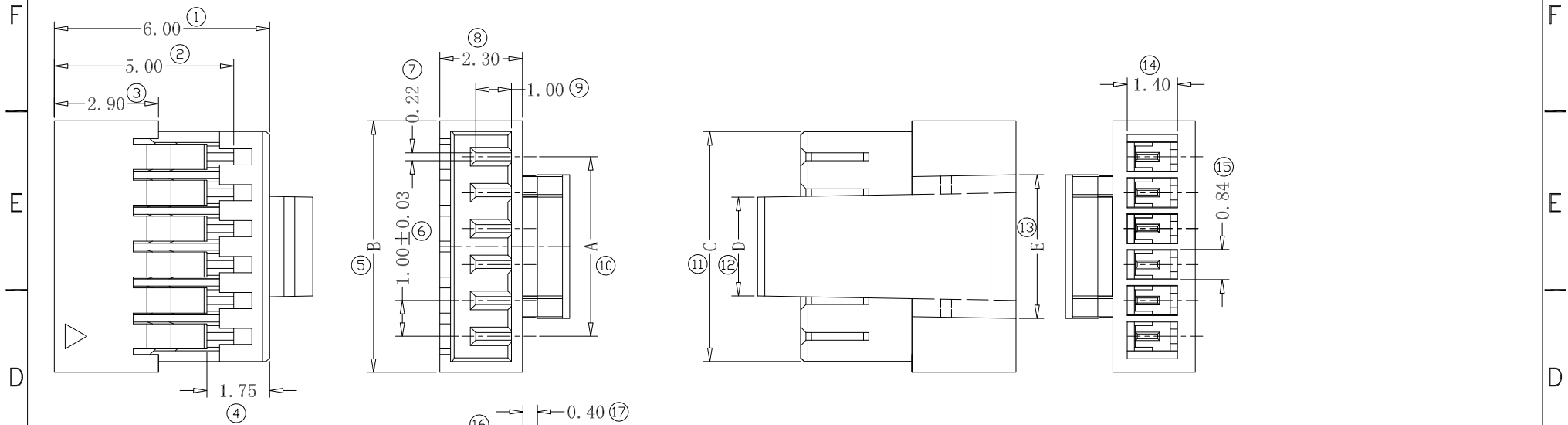
TITLE

1.00 mm Crimp Style Connectors

UNIT	SCALE	SHEET	REV	NUMBER
mm	1:1	1/1	A0	A-241

DATE	REV	ECN NO	DESCRIPTION	MODIFY	APPROVAL
1					
2					

RoHS



Specifications

- Voltage Rating: 50V AC/DC
- Current Rating: 1A AC/DC
- Withstanding Voltage: 500V AC/Minute
- Insulation Resistance: 100MΩ Min
- Temperature Range: -25°C ~ +85°C
- Contact Resistance: Initial Value/20mΩ Max

Housing

- Part No. : A1001HA-NP
- Poles: 02-20
- Material: Nylon66 UL 94 V-0
- Color: Nature
- Suitable A1001T-XXX Series Terminal
- Q'ty: 2,000 Pcs/Bag

POLES	Dimensions (mm)				
	A	B	C	D	E
2	1.00	3.00	2.40	1.75	3.00
3	2.00	4.00	3.40	1.75	3.00
				2.75	4.00
4	3.00	5.00	4.40	2.75 (小扣)	4.00 (小扣)
5	4.00	6.00	5.40		
6	5.00	7.00	6.40		
7	6.00	8.00	7.40		
8	7.00	9.00	8.40		
9	8.00	10.00	9.40		
10	9.00	11.00	10.40		
11	10.00	12.00	11.40		
12	11.00	13.00	12.40		
13	12.00	14.00	13.40		
14	13.00	15.00	14.40		
15	14.00	16.00	15.40		
16	15.00	17.00	16.40		
17	16.00	18.00	17.40		
18	17.00	19.00	18.40		
19	18.00	20.00	19.40		
20	19.00	21.00	20.40		

DATE	REV	ECN NO	DESCRIPTION	MODIFY	APPROVAL
1					
2					
3					
4					

GENERAL TOLERANCE	
.X	±0.30
.XX	±0.20
.XXX	±0.10
X.*	±2°
PROJECT	
⊕	⊖

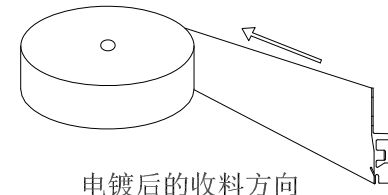
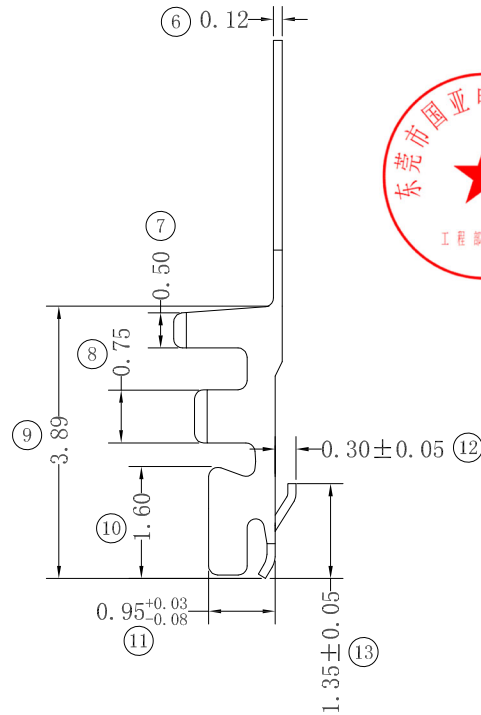
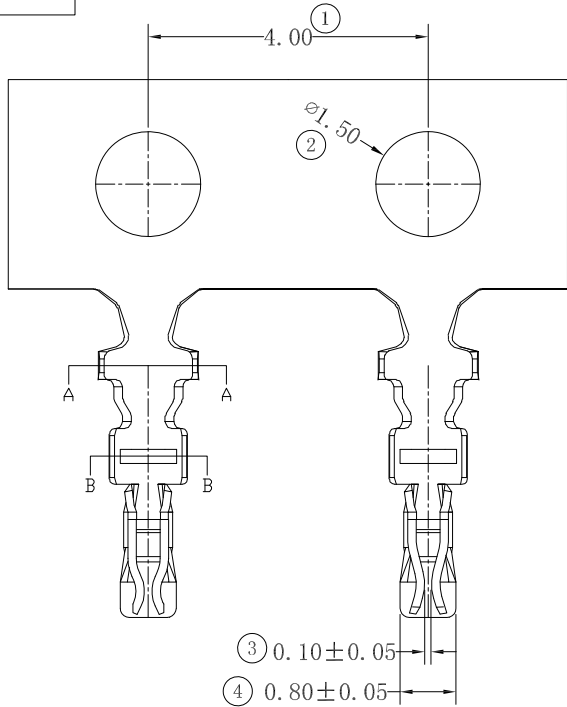


东莞市国亚电子有限公司  
Dong Guan Guo Ya Connectors co., Ltd.

APPROVAL	CHECK	DRAWN	DATE
Yangzhengguo	Yangzhengyi	Lvtiansheng	2016/08/26

PARTNO.				
A1001HA-NP				
TITLE				
1.00 mm Crimp Style Connectors				
UNIT	SCALE	SHEET	REV	NUMBER
mm	1:1	1/1	A0	A-241

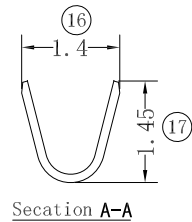
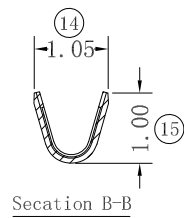
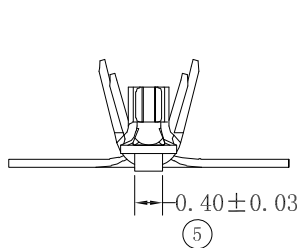
RoHS



电镀后的收料方向  
(打线开口朝外)

NOTES(说明):

1. Material(材料): Phos Bronze(磷青铜), T=0.12mm.
2. Match(相配部分): A1001-H01、A1001-H02.
3. Finish(电镀要求):  
Ni=30~50u"(底镍30u"以上),  
Sn ≥ 80u"(镍上镀亮锡80U"以上).  
Salt concentration 5% testing time 48 hours  
(5%盐水浓度24小时).
4. 单pin的:  
Insert force(插入力): ≤ 0.4kgf  
Pull-out force(拔出力): ≥ 0.8kgf
5. Packing (包装数量): 15KPCS/R



GENERAL TOLERANCE

.X	±0.30
.XX	±0.20
.XXX	±0.10
X.*	±2°

PROJECT



东莞市国亚电子有限公司  
Dong Guan Guo Ya Connectors co., ltd.

PARTNO.  
A1001T-XXX

TITLE  
1.00 mm Crimp Style Connectors

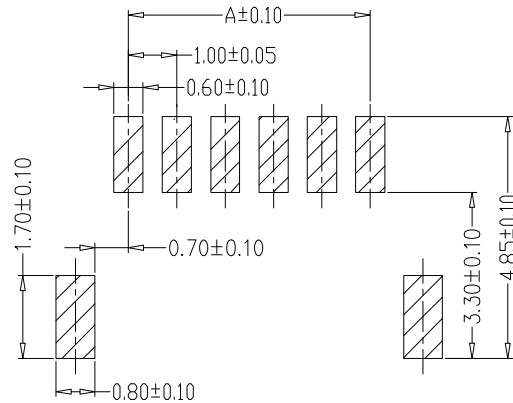
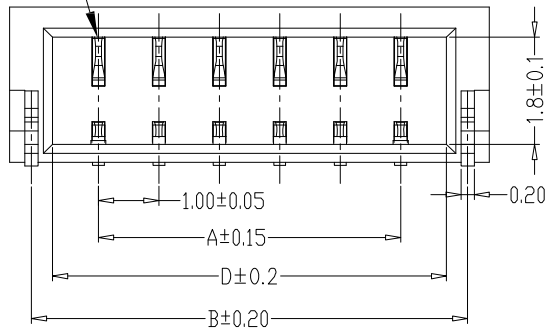
APPROVAL	CHECK	DRAWN	DATE
Yangzhengguo	Yangzhengyi	Lvtiansheng	2016/08/26

UNIT	SCALE	SHEET	REV	NUMBER
mm	1:1	1/1	A0	A-014

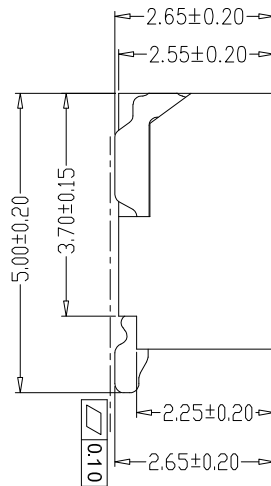
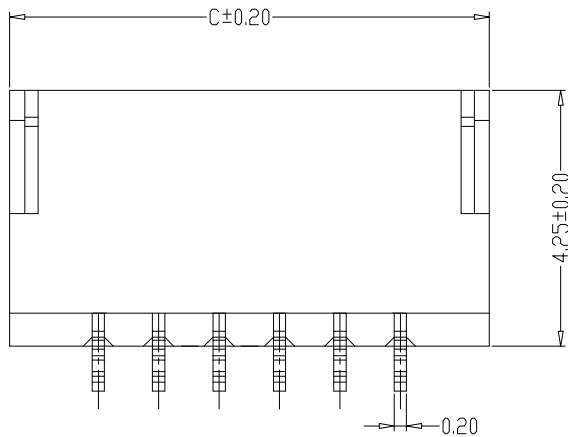
DATE	REV	ECN NO	DESCRIPTION	MODIFY	APPROVAL
1		2		4	5

RoHS

Circuit 1



PCB LAYOUT



SPECIFICATIONS

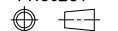
- 1、Current Rating: 1A AC, DC
- 2、Voltage Rating: 125V AC, DC
- 3、Temperatuer Range:  $-25^{\circ}\text{C} \sim +85^{\circ}\text{C}$
- 4、Contact Resistance:  $20\text{m}\Omega$  Max
- 5、Insulation Resistance:  $100\text{M}\Omega$  Min
- 6、Withstanding Voltang: 500V AC/minute
- 7、Material: Wafer PA6T, UL94V-0  
PIN Phosphoric bronze Tin-plated  
Solder tad Phosphoric bronze Tin-plated

PIN	尺寸 (mm)			
	A	B	C	D
02	1.00	3.20	4.00	2.50
03	2.00	4.20	5.00	3.50
04	3.00	5.20	6.00	4.50
05	4.00	6.20	7.00	5.50
06	5.00	7.20	8.00	6.50
07	6.00	8.20	9.00	7.50
08	7.00	9.20	10.00	8.50
09	8.00	10.20	11.00	9.50
10	9.00	11.20	12.00	10.50
11	10.00	12.20	13.00	11.50
12	11.00	13.20	14.00	12.50
13	12.00	14.20	15.00	13.50
14	13.00	15.20	16.00	14.50
15	14.00	16.20	17.00	15.50
16	15.00	17.20	18.00	16.50
17	16.00	18.20	19.00	17.50
18	17.00	19.20	20.00	18.50
19	18.00	20.20	21.00	19.50
20	19.00	21.20	22.00	20.50

GENERAL TOLERANCE

.X	$\pm 0.30$
.XX	$\pm 0.20$
.XXX	$\pm 0.10$
X.*	$\pm 2^{\circ}$

PROJECT



东莞市国亚电子有限公司  
Dong Guan Guo Ya Connectors co., Ltd

APPROVAL CHECK DRAWN DATE

Yangzhengguo Yangzhengyi Lviliansheng 2016/08/26

PARTNO.  
A1001WRS-XXX

TITLE  
1.00 mm Crimp Style Connectors

UNIT	SCALE	SHEET	REV	NUMBER
mm	1:1	1/1	A0	A-229

DATE	REV	ECN NO	DESCRIPTION	MODIFY	APPROVAL
1					
2					