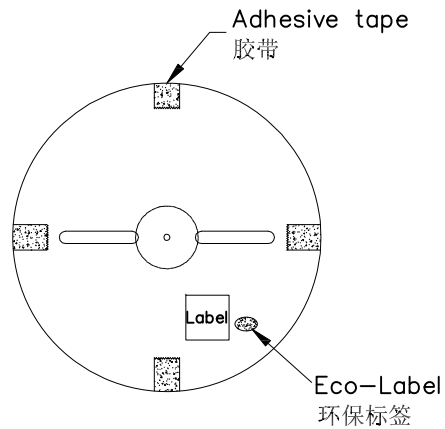


RoHS

包装图



Note 注解:

1.Quantity 数量:

20K PCS/REEL 一卷20K/PCS

10 REEL/BOX 一箱10卷

200K PCS/BOX 一箱200K/PCS

2.Each reel and outer box must be labeled and Eco-Label Respectively labeled

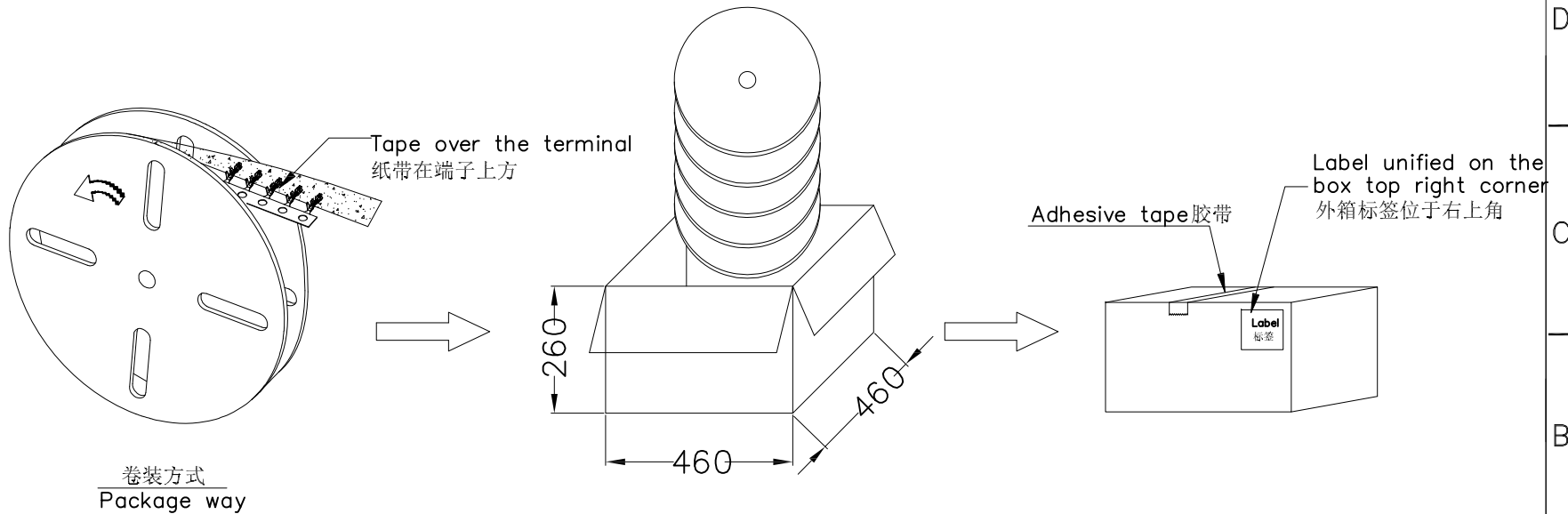
每盘和外箱都必须有标签及环保标签分别标示

3.Terminal winding direction as shown
端子缠绕方向如左图所示

4. There shall be no dirt such as deformation phenomenon, Mantissa box fillers must be used

每箱不可有脏污, 变形现象, 尾数箱必须用填充物

5. Carton material : K=K, Carton thickness : 6±1mm
纸箱材质: K=K 纸箱厚度: 6~7mm



GENERAL TOLERANCE

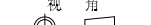
.X ±0.30

.XX ±0.20

.XXX ±0.10

X* ±0.2

视角



东莞市国亚电子有限公司

Dong Guan Guo Ya Connectors co., Ltd.

PART NO. :

A1000T-XXX

TITLE :

1.00 mm Terminal Packing

UNIT	SCALE	SHEET	REV	NUMBER
------	-------	-------	-----	--------

mm	1:1	1/1	A0	A-005
----	-----	-----	----	-------

APPROVAL

Yangzhengguo

CHECK

Yangzhengyi

DRAWN

Lvtiansheng

DATE

2016/08/26

DATE	REV	ECN NO.	DESCRIPTION	MODIFY	APPROVAL
------	-----	---------	-------------	--------	----------

1

2

3

4

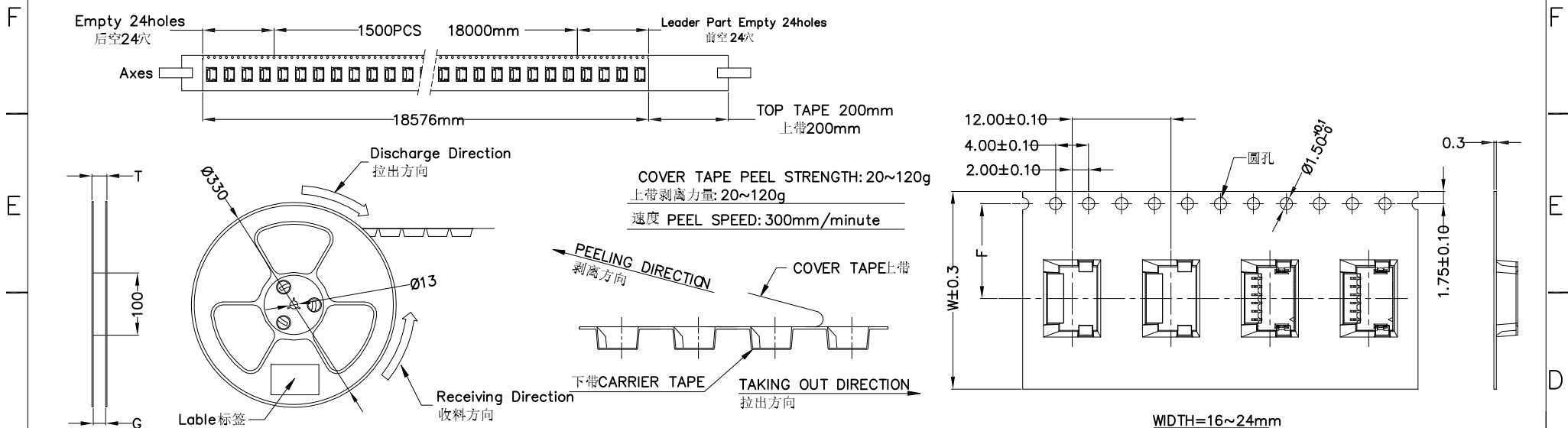
5

6

7

8

RoHS 包装图

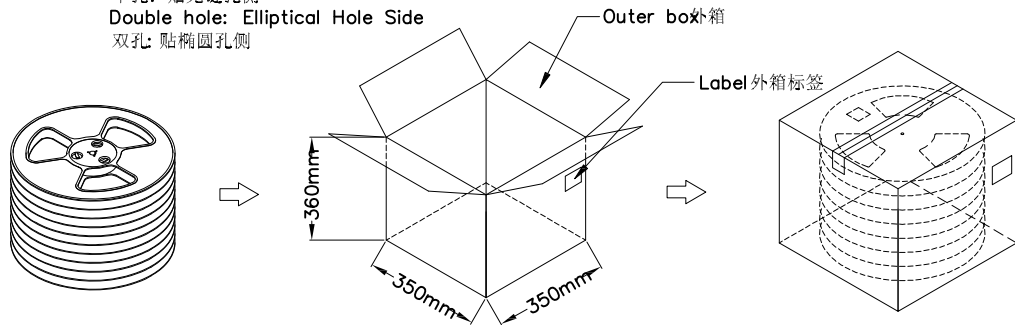


Single hole: None Hole Side

单孔: 贴无链孔侧

Double hole: Elliptical Hole Side

双孔: 贴椭圆孔侧



Note:

- Carrier Camber Is Within 1mm In 100mm ; 带长100mm 内容许弯曲度1mm
- 10 Sprocket Hole Pitch Cumulative Tolerance±0.2MM ; 圆孔十个孔距离累计允许公差为±0.2mm
- Material for PS ; 材质为PS材质 ; Color 颜色: Natural 透明色
- bracer 保护带; Color 颜色: Natural 透明色
- Thickness=0.30±0.05 ; 材料厚度为0.30±0.05mm
- Carton material 纸箱材质:K=K; Carton Thickness 纸箱厚度: 6~7mm

A1000WRS-XX	Part No.	W	S	F	T (MAX)	G(MAX)	REEL /PCS	CARTON /R	CARTON /PCS
	A1000WRS-02	16	/	7.50	20.50	16.40	1500	17R	25.5K
A1000WRS-03	24	/	11.50	28.50	24.40	1500	12R	18K	
A1000WRS-04									
A1000WRS-05									
A1000WRS-06									

GENERAL TOLERANCE					PART NO. :			
.X ±0.30					PPN: A1000WRS-XX			
.XX ±0.20					TITLE :			
.XXX ±0.10					1.00mm Connectors SMT 90° Packing			
X: ±0.2°					APPROVAL	CHECK	DRAWN	DATE
DATE	REV	ECN NO.	DESCRIPTION	MODIFY	Yangzhengguo	Yangzhengyi	Lvtiansheng	2016/08/26
1	2	3	4	5	6	7	8	UNIT SCALE SHEET REV NUMBER
					mm	1:1	1/1	A0 A-005