

RoHS 包装图

包裝說明:

Packaging Instruction.

步驟1: 將檢驗好之產品依包裝數量裝入PE袋中, 然後將PE袋封好並貼上標籤.

Step 1: Pack all the passed goods into PE bag. And then stick label on the PE bag.

步驟2: 將裝好產品的PE袋依數量整齊擺放裝入紙箱中. 包紮帶包紮好.

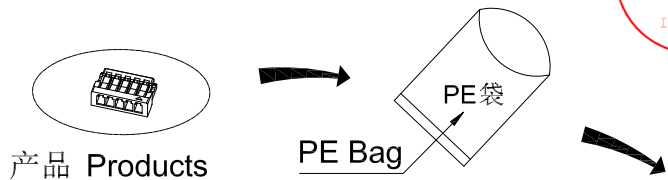
Step 2: Step 2: Line up all PE bags with products.

步驟3: 用透明膠把紙箱封好並在紙箱上貼上標籤, 再用.

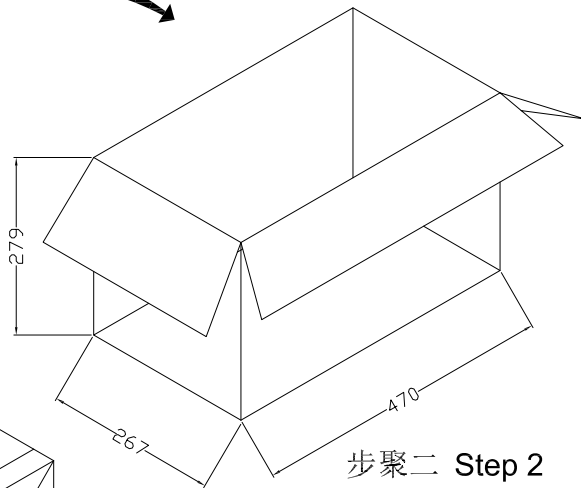
Step 3: Seal the carton and stick label on the carton, then bind up.

注: 尾數可用填充物填充.

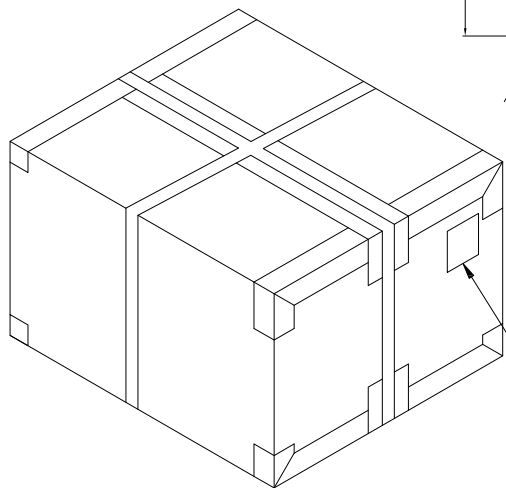
PS: If there is room, it can be filled with other stuff to keep the carton full.



步驟一 Step 1



步驟二 Step 2



步驟三 Step 3

外箱標籤 Carton Label

Part No.	PIN	PE Bag	Carton	
		PCS/PE	CARTON Bag	CARTON PCS
A0802H-02X-XX	02	1000	500	500,000
A0802H-03E-XX	03	1000	450	450,000
A0802H-04E-XX	04	1000	400	400,000
A0802H-05E-XX	05	1000	350	350,000
A0802H-06E-XX	06	1000	300	300,000
A0802H-07E-XX	07	1000	250	250,000
A0802H-08E-XX	08	1000	200	200,000
A0802H-09E-XX	09	1000	150	150,000
A0802H-10E-XX	10	1000	100	100,000

一般公差
.X ±0.30
.XX ±0.20
.XXX ±0.10
X° ±0.2°



東莞市國亞電子有限公司
Dong Guan Guo Ya Connectors co., Ltd.

PART NO.: A0802H-XXX-XX

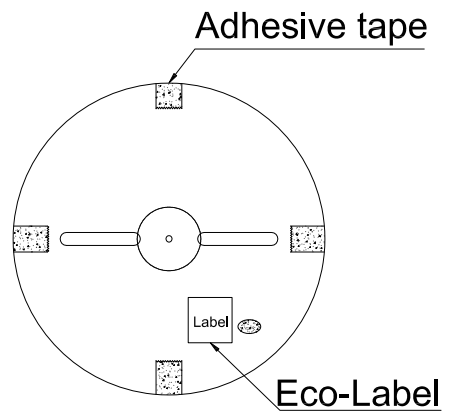
TITLE: 0.80mm Housing Packing

APPROVAL	CHECK	DRAWN	DATE
Yangzhengguo	Yangzhengyi	Lvtiansheng	2016/08/26

UNIT	SCALE	SHEET	REV	NUMBER
mm	1:1	1/1	A0	A-022

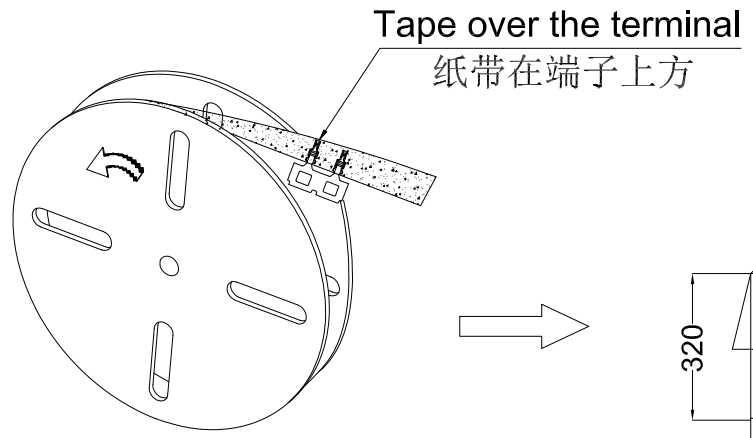
DATE	REV	ECN NO.	DESCRIPTION	MODIFY	APPROVAL



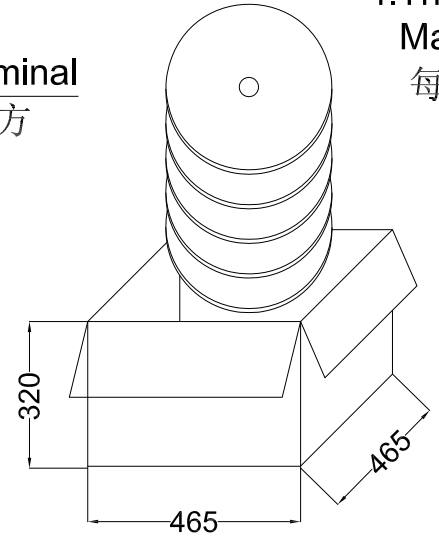


Note注解:

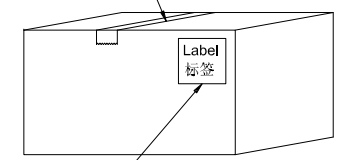
- Quantity 数量:
30K PCS/REEL 一卷30K/PCS
11REEL/BOX 一箱11卷
330K PCS/BOX 一箱330K/PCS
- Each reel and outer box must be labeled and Eco-Label Respectively labeled
每盘和外箱都必须有标签及环保标签分别标示
- Terminal winding direction as shown
端子缠绕方向如左图所示
- There shall be no dirt such as deformation phenomenon, Mantissa box fillers must be used
每箱不可有脏污, 变形现象, 尾数箱必须用填充物



卷装方式
Package way

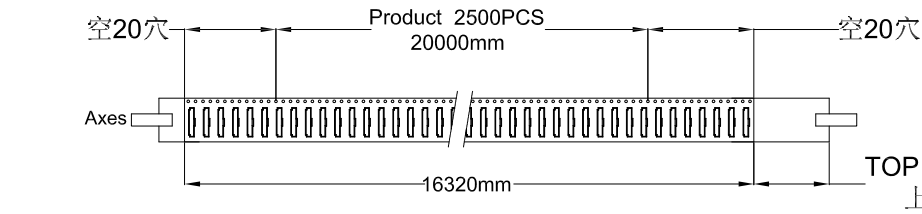


Adhesive tape 胶带

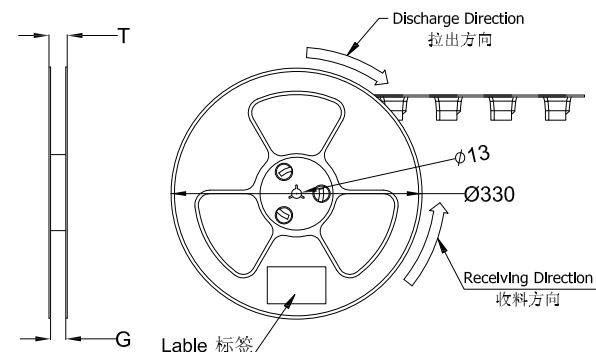


Label unified on the box top right corner
外箱标签位于右上角

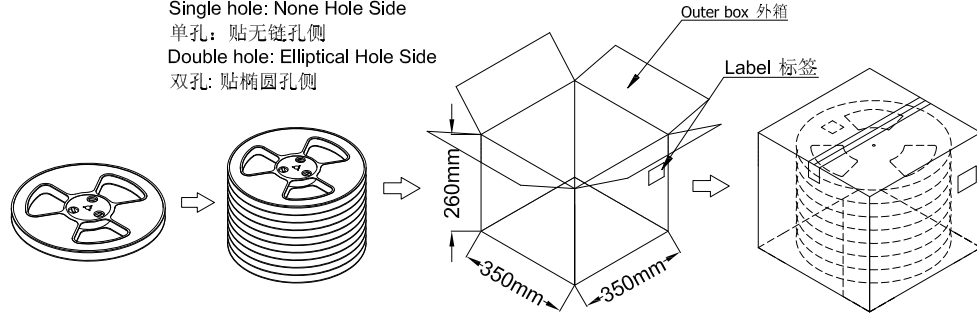
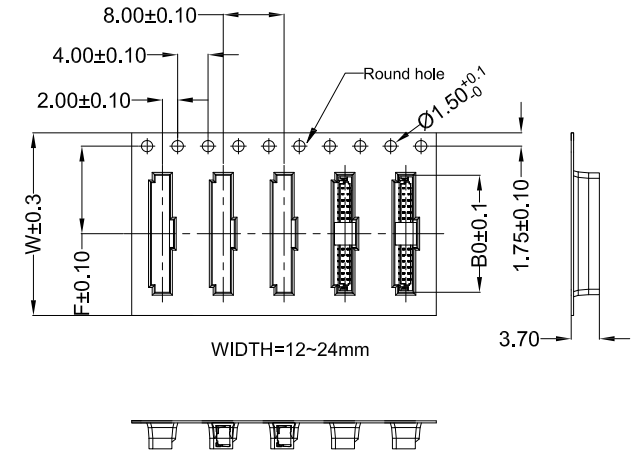
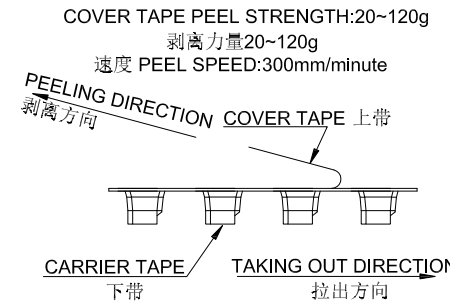
				一般公差		GYA 东莞市国亚电子有限公司 Connectors Dong Guan Guo Ya Connectors co., Ltd.				PART NO. : A0802T-PXXX									
				.X ±0.30		APPROVAL		CHECK		DRAWN		DATE							
				.XX ±0.20		Yangzhengguo		Yangzhengyi		Lvtiansheng		2016/08/26							
				.XXX ±0.10		X° ±0.2°		UNIT		SCALE		SHEET		REV	NUMBER				
DATE				REV		ECN NO.		DESCRIPTION				MODIFY		APPROVAL					
1				2		3		4				5		6		7		8	
						视角		mm		1:1		1/1		B		A-022			



TOP TAPE200mm
上带200mm



Label 标签
Single hole: None Hole Side
单孔: 贴无链孔侧
Double hole: Elliptical Hole Side
双孔: 贴椭圆孔侧



- Note:**
- Carrier Camber Is Within 1mm In 100mm ; 带长100mm 内容许弯曲度1mm
 - 10 Sprocket Hole Pitch Cumulative Tolerance ± 0.2 MM ; 圆孔十个孔距离累计允许公差为 ± 0.2 mm
 - Material for PS Black ; 材质为PS材质 Color颜色: Black 黑色
 - bracer 保护带: Color颜色: Natural 透明色; 厚度0.40mm 最小
 - Thickness=0.30 ± 0.05 ; 材料厚度为0.30 ± 0.05 mm
 - Cover Tape 上带: 冷封

Pin No.	W	S	F	T	G	Carrier Tape (Color) 下带(颜色)	B0	REEL PCS	CARTON R	CARTON PCS				
A0802WVS-02	12.0	/	5.50	16.50	12.50	黑色	4.20	2500	13	32.5K				
A0802WVS-03							5.00							
A0802WVS-04							5.80							
A0802WVS-05	6.60	2500	11	27.5K										
A0802WVS-06	7.40													
A0802WVS-07	8.20													
A0802WVS-08	9.00	2500	8	20K										
A0802WVS-09	9.80													
A0802WVS-10	10.60													
A0802WVS-11	11.40	24.0	/	11.50	28.50		24.50				12.20	2500	8	20K
A0802WVS-12	13.00													
A0802WVS-13	13.80													
A0802WVS-14	13.80													
A0802WVS-15	14.60													

DATE	REV	ECN NO.	DESCRIPTION	MODIFY	APPROVAL

一般公差	.X ± 0.30
	.XX ± 0.20
	.XXX ± 0.10
	X° ± 0.2
视角	

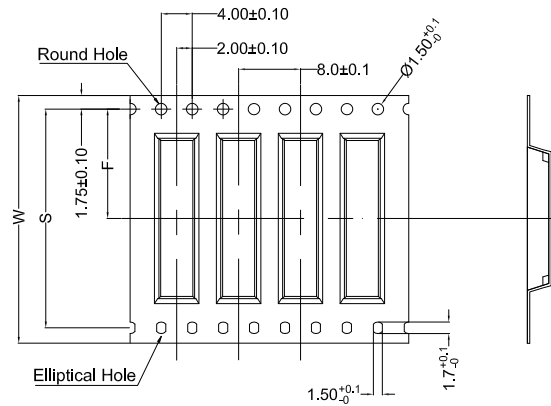
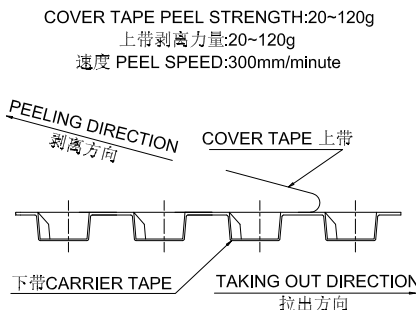
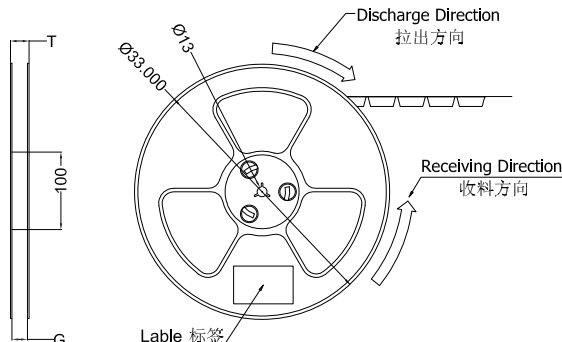
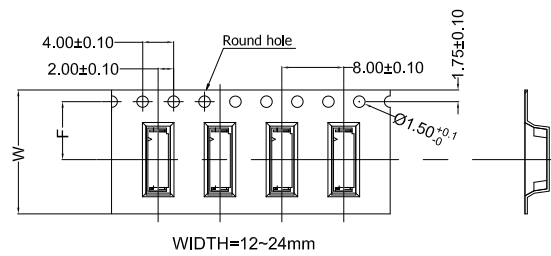
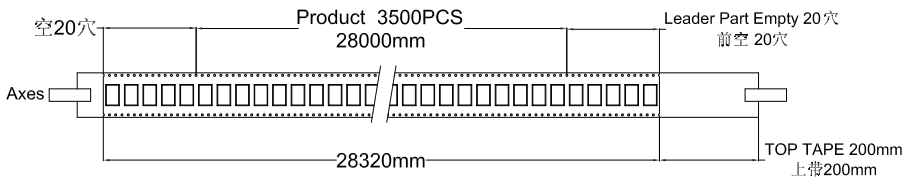
GYA 东莞市国亚电子有限公司
Connectors Dong Guan Guo Ya Connectors co., Ltd.

APPROVAL	CHECK	DRAWN	DATE
Yangzhengguo	Yangzhengyi	Lvtiansheng	2016/08/26

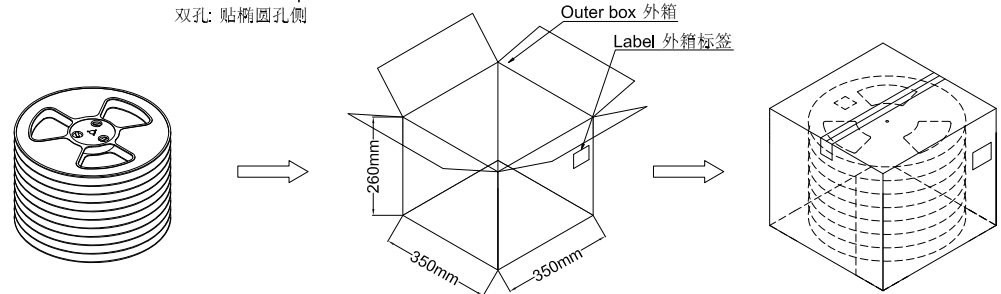
PART NO.: CPN:A0802WVS-XXXX-XXXXXR

TITLE: 0.80mm SMT 180° Package

UNIT	SCALE	SHEET	REV	NUMBER
mm	1:1	1/1	A0	A-000



Lable 标签
Single hole: None Hole Side
单孔: 贴无链孔侧
Double hole: Elliptical Hole Side
双孔: 贴椭圆孔侧



- Note:**
- Carrier Camber Is Within 1mm In 100mm ; 带长100mm 内容许弯曲度1mm
 - 10 Sprocket Hole Pitch Cumulative Tolerance±0.2MM ; 圆孔十个孔距离累计允许公差为±0.2mm
 - Carrier tape material for PS ; 下带材质为PS材质; Color颜色:Natural透明色
 - bracer保护带: Color颜色:Natural透明色, 厚度0.40mm最小
 - Thinkess=0.30±0.05 ; 材料厚度为0.30±0.05mm
 - Carton material纸箱材质:K=K; Carton Thickness 纸箱厚度: 6~7mm

Part No.	W	S	F	T (MAX)	G(MAX)	REEL/PCS	CARTON/R	CARTON/PCS
A0802WRS-02	16	/	7.50	20.50	16.40	3500	11R	38.5K
A0802WRS-03								
A0802WRS-04								
A0802WRS-05								
A0802WRS-06								
A0802WRS-07								
A0802WRS-08								
A0802WRS-09	24	/	11.50	28.50	24.40	3500	8R	28K
A0802WRS-10								
A0802WRS-11								
A0802WRS-12								
A0802WRS-13								
A0802WRS-14								
A0802WRS-15								
A0802WRS-16	32	28.4	14.20	36.50	32.40	3500	6R	21K
A0802WRS-17								
A0802WRS-18								
A0802WRS-19								
A0802WRS-20								

DATE	REV	ECN NO.	DESCRIPTION	MODIFY	APPROVAL
1					
2					
3					
4					

一般公差 .X ±0.30 .XX ±0.20 .XXX ±0.10 X° ±0.2° 视图				GYA 东莞市国亚电子有限公司 Connectors Dong Guan Guo Ya Connectors co., Ltd.				PART NO. : PPN: A0802WRS-XX-XXXX							
APPROVAL Yangzhengguo				CHECK Yangzhengyi		DRAWN Lvtiansheng		DATE 2016/08/26			TITLE: 0.80mm Connectors SMT 90° Packing				
UNIT		SCALE		SHEET		REV		NUMBER							
mm		1:1		1/1		A0		A-106							