



<b>Type Document</b>	<b>Crimp Specification</b>	<b>Revised /Edition</b>	<b>A0</b>
<b>Date Issued:</b>		<b>Data Revised:</b>	<b>2014/11/12</b>
<b>Subject: 9025T-PSN 2.5mm Pitch Board in Series Terminal.</b>			<b>Issued By: Engineering Dept.</b>

### Description:

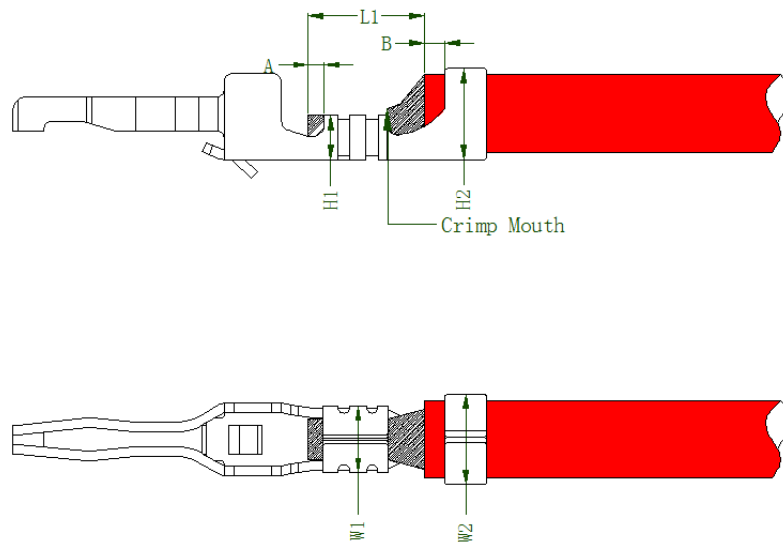
Height and width of crimped core should be set as required.

(Crimped height and width of wire barrel)

According to the external diameter and the type of electric wire, the width of crimped sheath shall be adjusted wire won't be easily taken off from contact nor too much crimped.

(Crimped width of insulation barrel)

### Position Graph:



### Note:

1. Conductor crimp width. W1
2. Conductor crimp height. H2
3. Insulator crimp width. W1
4. Insulator crimp height. W2
5. Conductor wire shall be dimension long (mm) out A.
6. Naked part of sheathed wire must be located in the vicinity of center B.
7. The Crimp mouth must be equipped like Shell.



地址: 广东省东莞市长安镇增田村横增路 72 号  
Address: 72 Hengzeng Road,Zengtian Village,Chang'an Town,Dongguan city,Guangdong Province  
E-Tel: 0769-81769816 传真: 0769-87089563 E-mail: gya1688@gdgya.com  
QQ: 316563782 诚信通: gya 旗舰店 网站: www.gdgya.com

<b>Type Document</b>	<b>Crimp Specification</b>	<b>Revised /Edition</b>	<b>A0</b>
<b>Date Issued:</b>		<b>Data Revised:</b>	<b>2014/11/12</b>
<b>Subject: 9025T-PSN 2.50mm Pitch Board in Series Terminal.</b>			<b>Issued By: Engineering Dept.</b>

**Requirement:**

Subject: UL 1007 or equivalent type electric wire					
AWG#	Conductor (mm <sup>2</sup> )	Insulation Diameter	Insulator skins length	Dim. L (mm) out	
#28~#22	0.342~0.089mm <sup>2</sup>	1.20~1.60mm	2.0~2.2mm	1.2~1.5mm	
Wire Gauge (AWG#)	Conductor Crimp Area		Insulator Crimp Area		Terminal Tensile Strength
	Width(W1)	Height(H1)	Width(W2)	Height(H2)	
#22	1.50~1.60mm	0.80~0.90mm	1.95mm Max.	1.60~1.70mm	5.0Kgf
#24		0.75~0.80mm		1.50~1.60mm	3.0Kgf
#26		0.70~0.75mm		1.40~1.50mm	2.0Kgf
#28		0.65~0.70mm		1.30~1.40mm	1.0Kgf

**Remarks:**

Unlike equipments and crimp reel molds skill facility or not shall be difference to result in dissimilar.

**Signature:** L vtiansheng ENG

Dongguan GuoYa Electronics CO.,LTD.