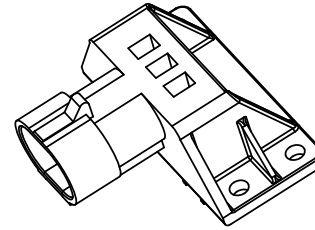
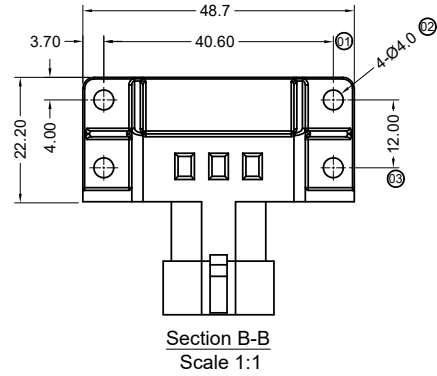
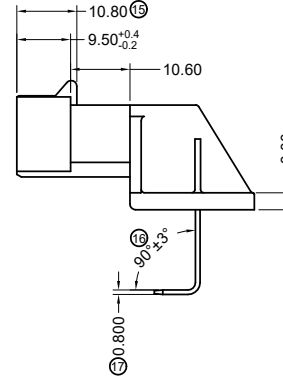
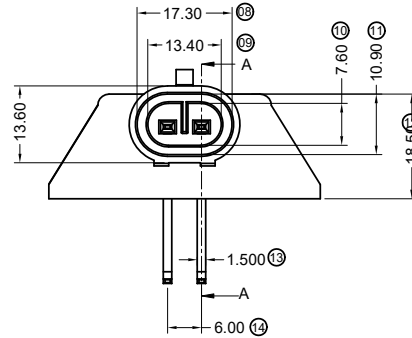
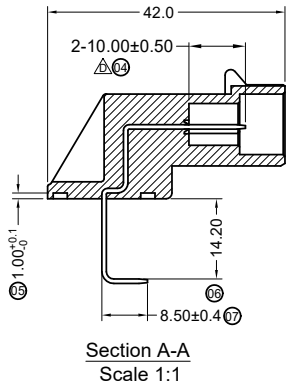


RoHS



■ Specifications :

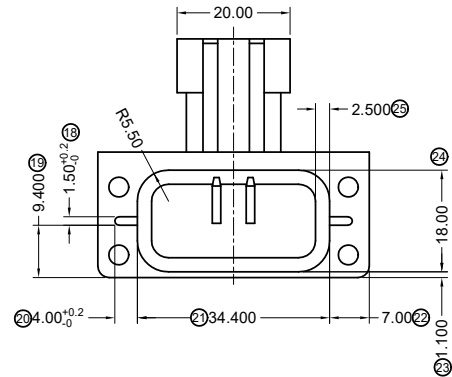
- Voltage rating: 24V AC / DC
- Current rating: 10A AC / DC
- Withstanding voltage: 1,500V AC/minute
- Temperature range: -25°C~+85°C
- Insulation resistance: ≥500MΩ
- Contact resistance: ≤10mΩ
- After environmental testing: ≤20mΩ
- Material(Pin): Brass
- Finish(Pin): Matte Tin Plating



6003 H F -02 -N0 XX

① ② ③ ④ ⑤ ⑥

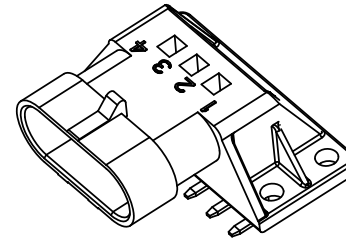
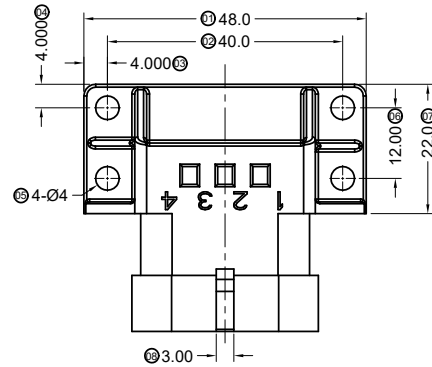
- ① Series No
- ② Category: H-HSG
- ③ Welding Board Angle:  
F-Female housing
- ④ Row No.-Pin No.: 02-02P
- ⑤ Material: N0-PA66 94V-0
- ⑥ Color : None-Black Color



					GENERAL TOLERANCE .X ±0.30 .XX ±0.20 .XXX ±0.10 X.° ±2°				东莞市国亚电子有限公司 DONGGUO GUOYA ELECTRONICS CO.,LTD				PART NO. 6003HF-02-N0							
					APPROVAL YANG				CHECK TIAN		DRAWN TIAN		DATE 2016/06/22			TITLE 6.00mm Pump Superseal Ass Connector				
					PROJECT 											UNIT mm				
																SCALE 1:1				
																SHEET 1/1				
																REV A0				
																NUMBER A-000				

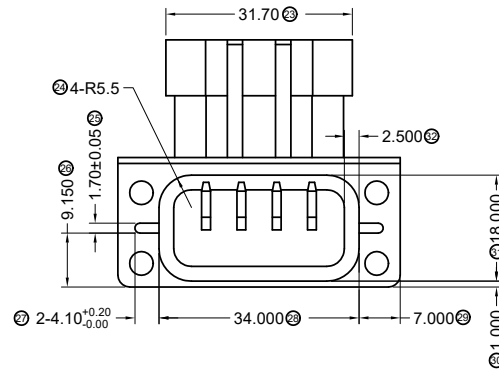
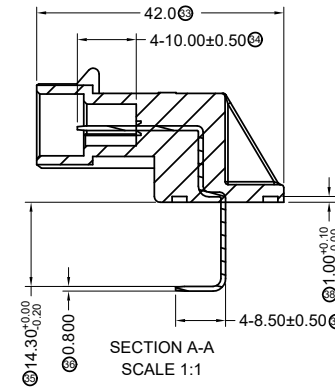
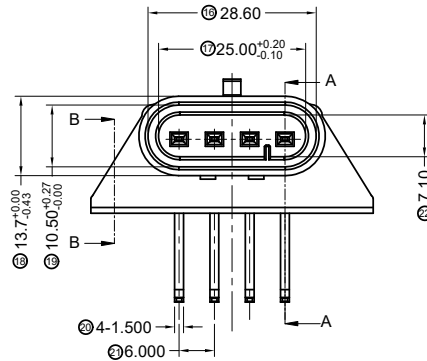
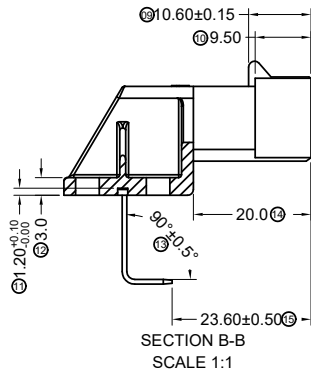
DATE	REV	ECN NO	DESCRIPTION	MODIFY	APPROVAL	PROJECT	APPROVAL	CHECK	DRAWN	DATE	UNIT	SCALE	SHEET	REV	NUMBER
							YANG	TIAN	TIAN	2016/06/22	mm	1:1	1/1	A0	A-000

RoHS



■ Specifications :

- Voltage rating: 24V AC / DC
- Current rating: 10A AC / DC
- Withstanding voltage: 1,500V AC/minute
- Temperature range: -25°C~+85°C
- Insulation resistance: ≥500MΩ
- Contact resistance: ≤10mΩ
- After environmental testing: ≤20mΩ
- Material(Pin): Brass
- Finish(Pin): Matte Tin Plating



6003 H F-04 XX-N0 HF BK T  
① ② ③ ④ ⑤ ⑥ ⑦ ⑧ ⑨

- ① Series No
- ② Category: H-HSG
- ③ Welding Board Angle:  
F-Female housing
- ④ Row No.-Pin No.: 04-04P
- ⑤ Plug the Pin & special No.:
- ⑥ Material: N0-PA66 94V-0
- ⑦ HF-Halogen free
- ⑧ Color : BK-Black
- ⑨ Packing Form: T- Tray

					GENERAL TOLERANCE				PART NO.			
					.X ±0.30				6003HF-04-N0HFBKT			
					.XX ±0.20				TITLE			
					.XXX ±0.10				6.00mm PUMP SUPERSEAL ASS Connector			
					X.° ±2°				UNIT SCALE SHEET REV NUMBER			
PROJECT					APPROVAL		CHECK		DRAWN		DATE	
DATE					YANG		TIAN		TIAN		2017/08/25	
REV												
ECN NO												
DESCRIPTION												
MODIFY												
APPROVAL												



东莞市国亚电子有限公司  
DONGGUO GUOYA ELECTRONICS CO.,LTD

UNIT					SCALE		SHEET		REV		NUMBER	
mm					1:1		1/1		A0		A-000	