

RoHS

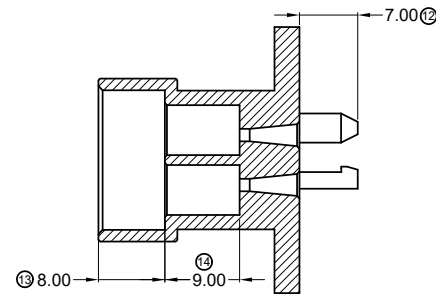
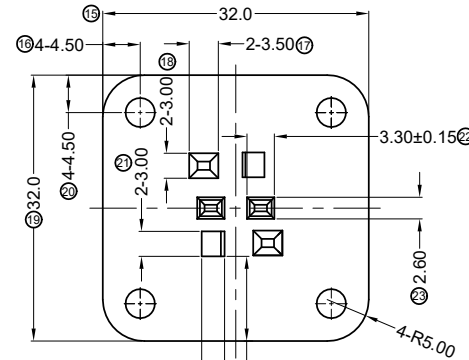
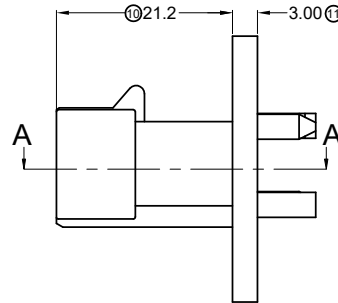


- Specifications :
- Voltage rating: 24V AC / DC
  - Current rating: 10A AC / DC
  - Withstanding voltage: 1,500V AC/minute
  - Temperature range: -25°C~+85°C
  - Insulation resistance: ≥500MΩ
  - Contact resistance: ≤10mΩ
  - After environmental testing: ≤20mΩ

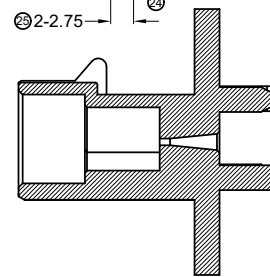
6002 H F -02 -N0 BK

① ②③ ④ ⑤ ⑥

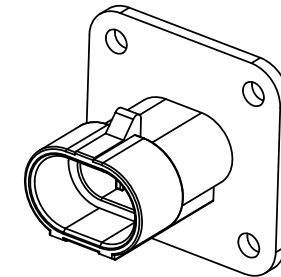
- ① Series No
- ② Category: H-HSG
- ③ Welding Board Angle: F-Female housing
- ④ Row No.-Pin No.: 02-02P
- ⑤ Material: N0-PA66 94V-0
- ⑥ Color : BK-Black Color



SECTION A-A  
SCALE 1:1



SECTION B-B  
SCALE 1:1



DATE	REV	ECN NO	DESCRIPTION	MODIFY	APPROVAL
1		2		3	4

GENERAL TOLERANCE	
.X	±0.30
.XX	±0.20
.XXX	±0.10
X.°	±2°
PROJECT	
①	②

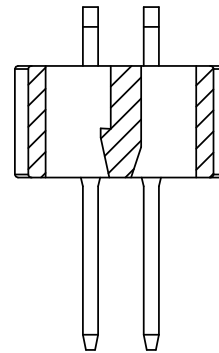
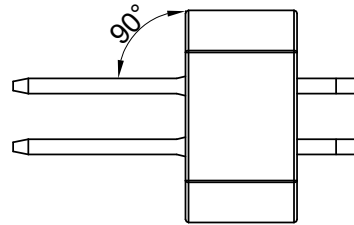
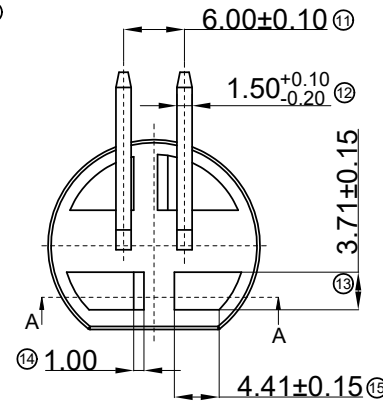
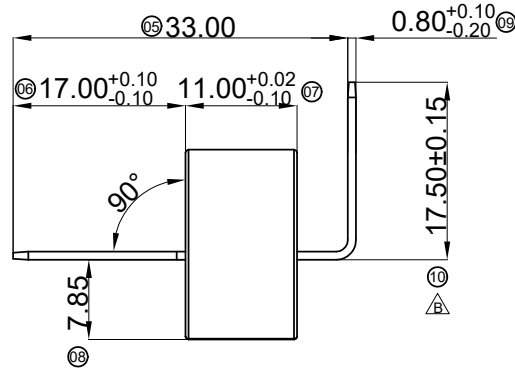
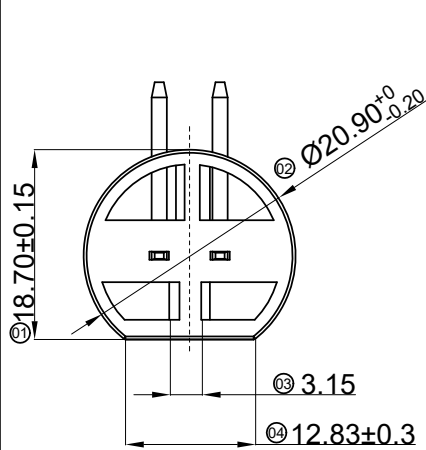
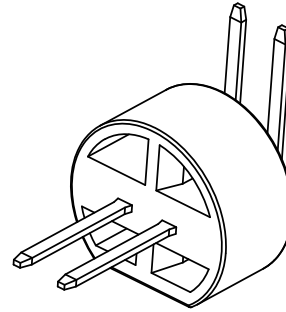


东莞市国亚电子有限公司  
DONGGUO GUOYA ELECTRONICS CO.,LTD

APPROVAL	CHECK	DRAWN	DATE
YANG	TIAN	TIAN	2016/04/11

PART NO.				
6002HF-02-N0BK				
TITLE				
6.00mm PUMP SUPERSEAL ASS Connector				
UNIT	SCALE	SHEET	REV	NUMBER
mm	1:1	1/1	A0	A-000

RoHS



Details A-A

■ Specifications :

- Voltage rating: 24V AC / DC
- Current rating: 10A AC / DC
- Withstanding voltage: 1,500V AC/minute
- Temperature range: -25°C~+85°C
- Insulation resistance: ≥500MΩ
- Contact resistance: ≤10mΩ
- After environmental testing: ≤20mΩ

6002 M D -02- LP SW

① ② ③ ④ ⑤

- ① Series No
- ② Category: MD-Molding
- ③ Appearance category: 02-02P
- ④ Material : LP-LCP
- ⑤ Plating clas: SW-Matte tin;

					GENERAL TOLERANCE .X ±0.30 .XX ±0.20 .XXX ±0.10 X.° ±2°				东莞市国亚电子有限公司 DONGGUO GUOYA ELECTRONICS CO.,LTD				PART NO. 6002MD-02-LPSW																
					PROJECT 				APPROVAL YANG				CHECK TIAN				DRAWN TIAN				DATE 2016/04/11				TITLE 6.00mm PUMP SUPERSEAL ASS Connector				
DATE	REV	ECN NO	DESCRIPTION	MODIFY	APPROVAL													UNIT	SCALE	SHEET	REV	NUMBER							
1																		mm	1:1	1/1	A0	A-000							