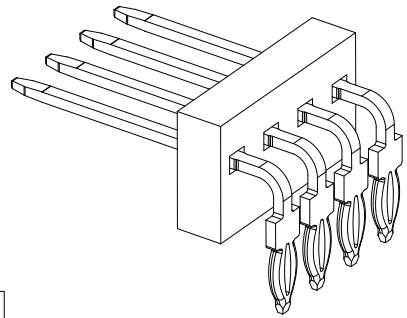
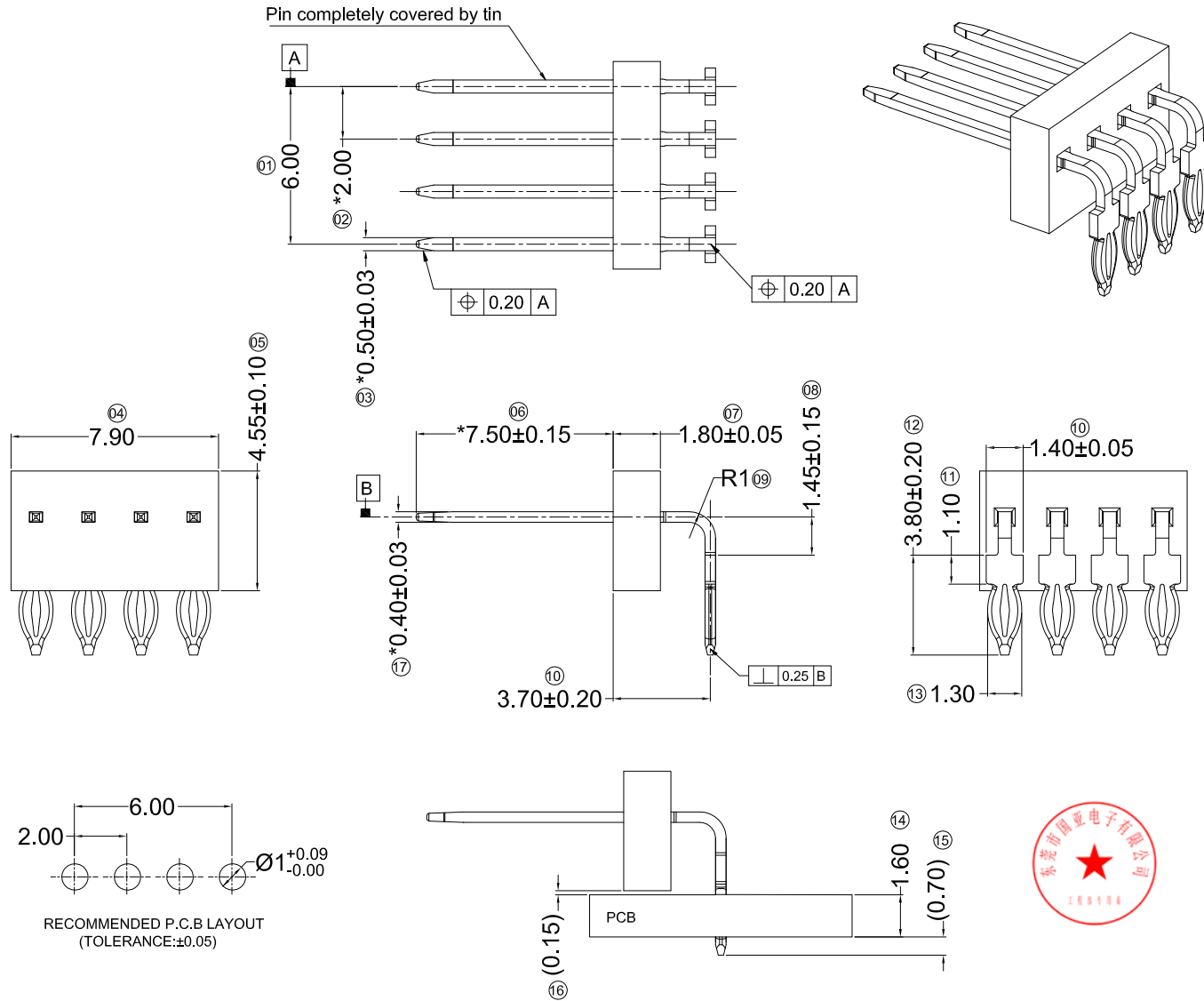


RoHS



- Electrical Properties
 - Starting current 4.5A for 3s
 - Nominal Current 650mA
 - Temperature properties:
 - Storage temperature: -40° ~ +90°
 - Operating temperature -40° ~ +80°
 - Functional temperature: -20° ~ +60°
- Mechanical Properties
 - Push our force from plastic before temperature treatment: >= 10N
 - Assembly force into PCB of each pin: <=110N (Goal to achieve <=100N)
 - Push out force from PCB of each pin: >=20N
- Plating:
 - 0.4-1.5 μm Sn over 0.8-1.3μm Ni
 - Surface: Matte
- Material:
 - Plastic: PA4T UL94V-0, Black color.
 - Metal: Cu-Alloy

4603 W R X-04 Y - 4T SW BK R
① ② ③ ④ ⑤ ⑥ ⑦ ⑧ ⑨ ⑩

- ① Series No.
- ② Category: W - wafer
- ③ Connector Type: R - Right Angle 90°
- ④ Mouting Type: Dip - Vacant Code
- ⑤ Row No.-Pin No: 04-4Pin
- ⑥ Special code: Y- fish-eye welding - free construction
- ⑦ Plastic material: 4T- PA4T 94V0 HF
- ⑧ Plating Code: SW - Ni32~52u", Matt-Tin 16~60Uu"
- ⑨ Color: BK- Black;
- ⑩ Packing: R - Reel;



				GENERAL TOLERANCE				PART NO. 4603WR-04Y-4TSWBKR			
				.X ±0.30				TITLE Pin Header 1 rows 4Pins 90° Press-Fit			
				.XX ±0.20				UNIT mm			
				.XXX ±0.10				SCALE 1:1			
				X.° ±2°				SHEET 1/1			
				PROJECT				REV A0			
DATE	REV	ECN NO.	DESCRIPTION	MODIFY	APPROVAL	PROJECT	APPROVAL	CHECK	DRAWN	DATE	NUMBER
1	2					Yangzhengguo	Yangzhengyi	Lvtiansheng	2016/08/26		A-000

GYA 东莞市国亚电子有限公司
Connectors Dong Guan Guo Ya Connectors co., ltd.

APPROVAL Yangzhengguo
CHECK Yangzhengyi
DRAWN Lvtiansheng
DATE 2016/08/26