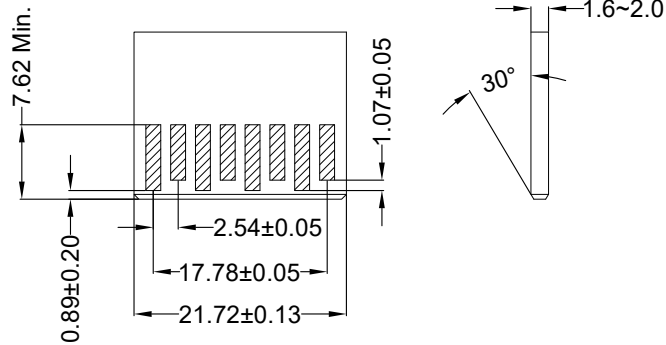
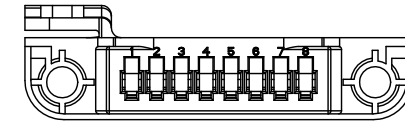
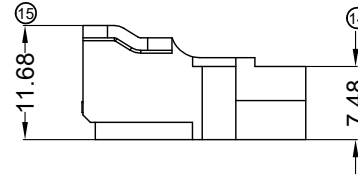
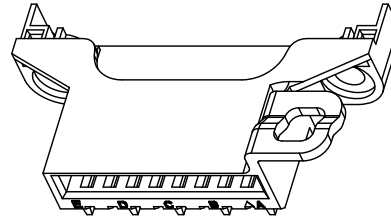
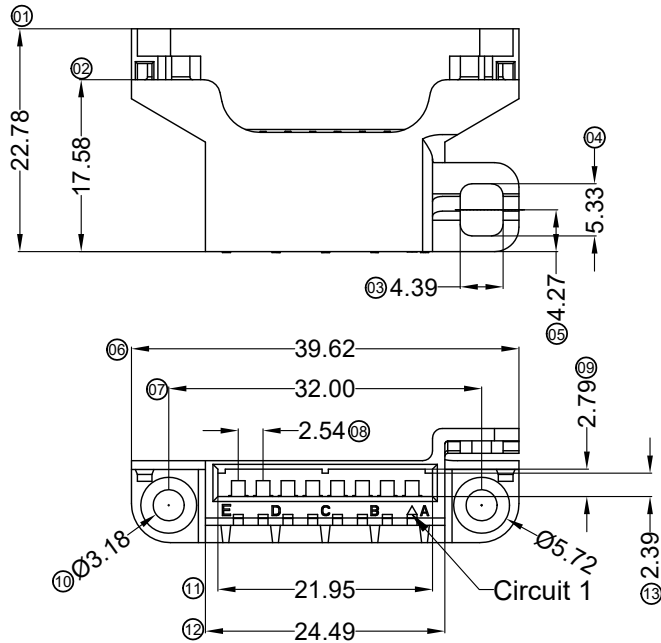


RoHS



PCB LAYOUT CONTACT SIDE (THIN CARD)



2546 H X-08 X-4T BK

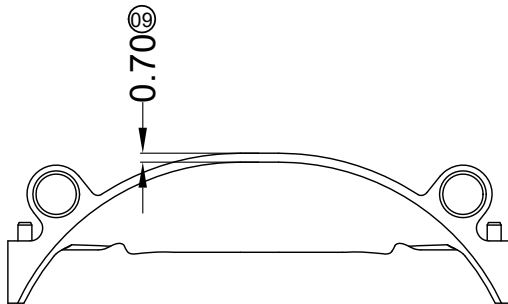
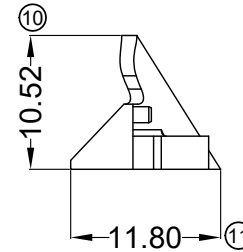
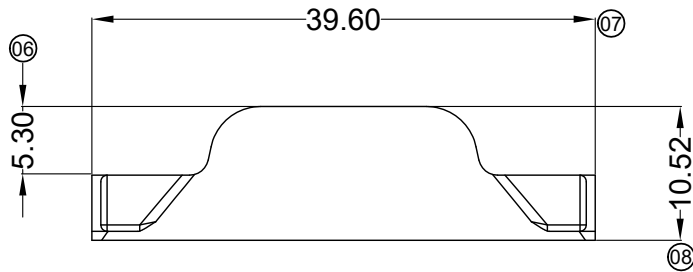
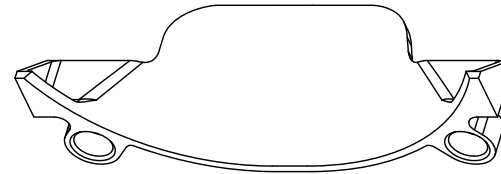
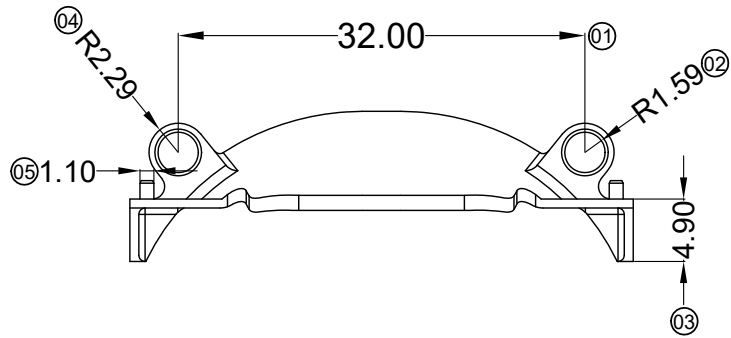
① ② ③ ④ ⑤ ⑥ ⑦

- ① Series No.
- ② Category: H-HSG
- ③ Appearance type: Blank-Ordinary
- ④ Row No.-Pin No.: 08-08P
- ⑤ Special No.: Blank-Ordinary
- ⑥ Material : 4T-PA4T 94V-0
- ⑦ Color : BK-Black

2546H-08-4TBK	PA4T UL 94V-0	2546T	PCB BOARD 1.6~2.0MM
PART NO	Material	Mates With GYA Terminal	Mates With PCB Board

					GENERAL TOLERANCE .X ±0.30 .XX ±0.20 .XXX ±0.10 X.° ±2°				GYA 东莞市国亚电子有限公司 DONGGUO GUOYA ELECTRONICS CO.,LTD Connectors				PART NO. 2546H-08-4TBK											
					APPROVAL				CHECK				DRAWN				DATE							
					PROJECT				YANG				ZHONG				TIAN				2016/11/24			
DATE	REV	ECN NO.	DESCRIPTION	MODIFY	APPROVAL																			
					UNIT				SCALE				SHEET				REV				NUMBER			
					mm				1:1				1/1				A0				A-000			

RoHS



C 2546 X -AP BK

① ② ③ ④ ⑤

- ① Category: C-CAP
- ② Series No.: 2546
- ③ Special No.:
- ④ Material: AP-ABS+PC 94V-0
- ⑤ Color: BK-Black



C2546-APBK	ABS+PC UL 94V-0 Color : Black	2546H-08-4TBK
PART NO	Material	Mates With PCB Modle

					GENERAL TOLERANCE .X ±0.30 .XX ±0.20 .XXX ±0.10 X.° ±2° PROJECT 				PART NO. C2546-APBK TITLE Edge Card Connector For Fan Cover UNIT mm SCALE 1:1 SHEET 1/1 REV A0 NUMBER A-000				
DATE	REV	ECN NO.	DESCRIPTION	MODIFY	APPROVAL	YANG	ZHONG	TIAN	2016/11/24				



东莞市国亚电子有限公司
DONGGUO GUOYA ELECTRONICS CO.,LTD

APPROVAL CHECK DRAWN DATE

YANG ZHONG TIAN 2016/11/24