



地址：广东省东莞市长安镇增田村横增路 72 号

Address: 72 Hengzeng Road,Zengtian Village,Chang'an Town,Dongguan city,Guangdong Province

E-Tel: 0769-81769816 传真: 0769-87089563

E-mail: gya1688@gdgya.com

QQ: 316563782 诚信通: gya 旗舰店

网站: www.gdgya.com

Type Document	Crimp Specification	Revised /Edition	A0
Date Issued:	2020/07/03	Data Revised:	2020/07/03
Subject: 2513TH-XSN1 Crimp Specification			Issued By: Engineering Dept.

Description:

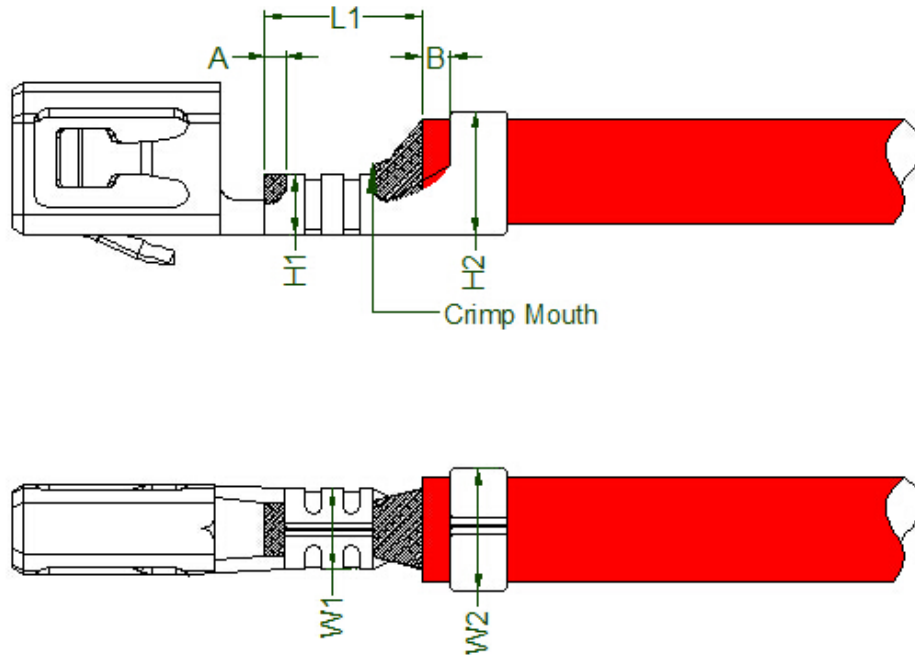
Height and width of conductor crimp should be set as required.

(Crimped height and width of conductor barrel)

According to the external diameter and the type of electric wire, the width of crimped sheath shall be adjusted, wire won't be easily taken off from contact nor too much crimped.

(Crimped width of insulation barrel)

Position Graph:



Note:

1. Conductor crimp width. W1
2. Conductor crimp height. H1
3. Insulator crimp width. W2
4. Insulator crimp height. H2
5. Conductor wire shall be dimension long (mm) out A.
6. Naked part of sheathed wire must be located in the vicinity of center B.
7. The Crimp mouth must be equipped like Shell.



地址: 广东省东莞市长安镇增田村横增路 72 号

Address: 72 Hengzeng Road,Zengtian Village,Chang' an Town,Dongguan city,Guangdong Province

E-Tel: 0769-81769816 传真: 0769-87089563

E-mail: gya1688@gdgya.com

QQ: 316563782 诚信通: gya 旗舰店

网站: www.gdgya.com

Type Document	Crimp Specification	Revised /Edition	A0
Date Issued:	2020/07/03	Data Revised:	2020/07/03
Subject: 2513TH-XSN1 Crimp Specification			Issued By: Engineering Dept.

Requirement:

Subject: FLRY-B or equivalent type electric wire					
AWG#	Conductor (mm ²)		Insulation Diameter	Insulator skins length (Dim.B) mm	Dim. L1 (mm) out
#22~#20	0.35~0.5mm ²		1.3~1.6mm	0.25~0.55mm	1.8~2.1mm
Wire Gauge (AWG#)	Conductor Crimp Area		Insulator Crimp Area		Terminal Tensile Strength
	Width(W1)	Height(H1)	Width(W2)	Height(H2)	
#22(0.35mm ²)	1.45±0.05mm	0.92±0.03mm	1.90±0.05mm	1.85±0.05mm	50N
#20(0.5mm ²)		1.0±0.02mm		1.92±0.05mm	60N

Remarks:

Unlike equipments and crimp reel molds skill facility or not shall be difference to result in dissimilar.

Signature: LVTIANSHENG ENG

Dongguan GuoYa Electronics CO.,LTD.



地址：广东省东莞市长安镇增田村横增路 72 号

Address: 72 Hengzeng Road,Zengtian Village,Chang'an Town,Dongguan city,Guangdong Province

E-Tel: 0769-81769816 传真: 0769-87089563

E-mail: gya1688@gdgya.com

QQ: 316563782 诚信通: gya 旗舰店

网站: www.gdgya.com

Type Document	Crimp Specification	Revised /Edition	A0
Date Issued:	2020/7/31	Data Revised:	2020/07/31
Subject: 2513TL-XSN1 Crimp Specification			Issued By: Engineering Dept.

Description:

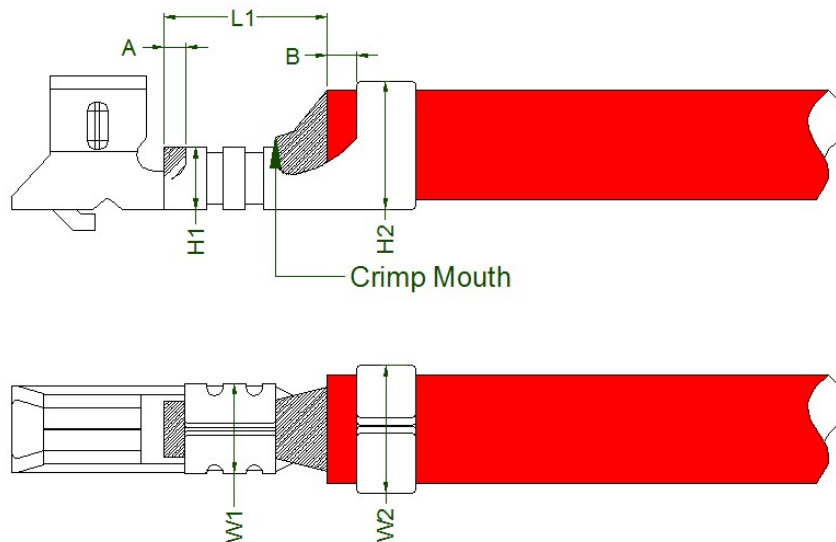
Height and width of conductor crimp core should be set as required.

(conductor crimp height and width of conductor barrel)

According to the external diameter and the type of electric wire, the width of crimped sheath shall be adjusted, wire won't be easily taken off from contact nor too much crimped.

(Crimped width of insulation barrel)

Position Graph:



Note:

1. Conductor crimp width. W1
2. Conductor crimp height. H1
3. Insulator crimp width. W2
4. Insulator crimp height. H2
5. Conductor wire shall be dimension long (mm) out A.
6. Naked part of sheathed wire must be located in the vicinity of center B.
7. The Crimp mouth must be equipped like bell.



地址：广东省东莞市长安镇增田村横增路 72 号

Address: 72 Hengzeng Road,Zengtian Village,Chang'an Town,Dongguan city,Guangdong Province

E-Tel: 0769-81769816 传真: 0769-87089563

E-mail: gya1688@gdgya.com

QQ: 316563782 诚信通: gya 旗舰店

网站: www.gdgya.com

Type Document	Crimp Specification	Revised /Edition	A0
Date Issued:	2020/7/31	Data Revised:	2020/07/31
Subject: 2513TL-XSN1 Crimp Specification			Issued By: Engineering Dept.

Requirement:

Subject: FLRY or equivalent type electric wire					
AWG#	Conductor (mm ²)		Insulation Diameter	Insulator skins length (Dim.B)mm	Dim. L1 (mm) out
#24	0.22mm ²		1.4mm	0.25-0.55mm	1.8~2.1mm
Wire Gauge (AWG#)	Conductor Crimp Area		Insulator Crimp Area		Terminal Tensile Strength
	Width(W1)	Height(H1)	Width(W2)	Height(H2)	
#24(0.22mm ²)	1.15±0.03mm	0.80±0.03mm	1.85±0.05mm	1.85±0.05mm	50N

Remarks:

Unlike equipments and crimp reel molds skill facility or not shall be difference to result in dissimilar.

Signature: LVTIANSHENG ENG

Dongguan GuoYa Electronics CO.,LTD.



地址: 广东省东莞市长安镇增田村横增路 72 号

Address: 72 Hengzeng Road,Zengtian Village,Chang'an Town,Dongguan city,Guangdong Province

E-Tel: 0769-81769816 传真: 0769-87089563

E-mail: gya1688@gdgya.com

QQ: 316563782 诚信通: gya 旗舰店

网站: www.gdgya.com

Type Document	Crimp Specification	Revised /Edition	A0
Date Issued:	2020/7/31	Data Revised:	2020/07/31
Subject: 2513TL-XSN1 Crimp Specification			Issued By: Engineering Dept.

Description:

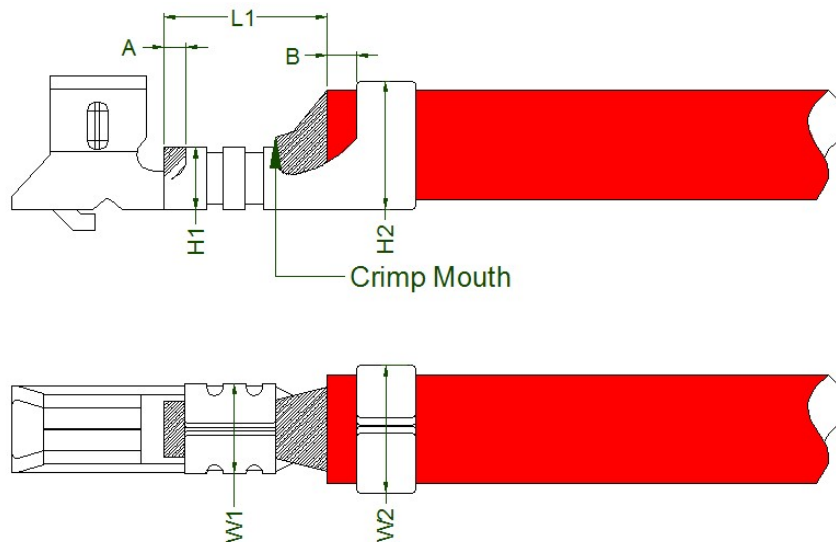
Height and width of conductor crimp core should be set as required.

(conductor crimp height and width of conductor barrel)

According to the external diameter and the type of electric wire, the width of crimped sheath shall be adjusted, wire won't be easily taken off from contact nor too much crimped.

(Crimped width of insulation barrel)

Position Graph:



Note:

1. Conductor crimp width. W1
2. Conductor crimp height. H1
3. Insulator crimp width. W2
4. Insulator crimp height. H2
5. Conductor wire shall be dimension long (mm) out A.
6. Naked part of sheathed wire must be located in the vicinity of center B.
7. The Crimp mouth must be equipped like bell.



地址：广东省东莞市长安镇增田村横增路 72 号

Address: 72 Hengzeng Road,Zengtian Village,Chang' an Town,Dongguan city,Guangdong Province

E-Tel: 0769-81769816 传真: 0769-87089563

E-mail: gya1688@gdgya.com

QQ: 316563782 诚信通: gya 旗舰店

网站: www.gdgya.com

Type Document	Crimp Specification	Revised /Edition	A0
Date Issued:	2020/7/31	Data Revised:	2020/07/31
Subject: 2513TL-XSN1 Crimp Specification			Issued By: Engineering Dept.

Requirement:

Subject: UL1061 or equivalent type electric wire					
AWG#	Conductor (mm ²)		Insulation Diameter	Insulator skins length (Dim.B)mm	Dim. L1 (mm) out
#26	0.128mm ²		1.0	0.25-0.55mm	1.8~2.1mm
Wire Gauge (AWG#)	Conductor Crimp Area		Insulator Crimp Area		Terminal Tensile Strength
	Width(W1)	Height(H1)	Width(W2)	Height(H2)	
#26	1.15±0.03mm	0.70±0.03mm	1.85±0.05mm	1.76±0.05mm	30N

Remarks:

Unlike equipments and crimp reel molds skill facility or not shall be difference to result in dissimilar.

Signature: LVTIANSHENG ENG

Dongguan GuoYa Electronics CO.,LTD.