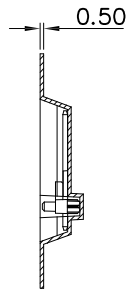
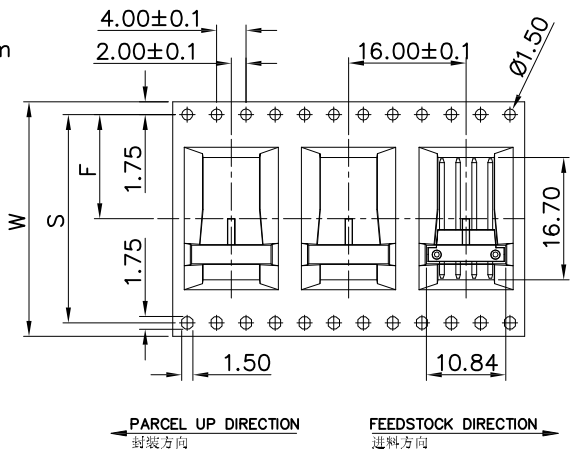
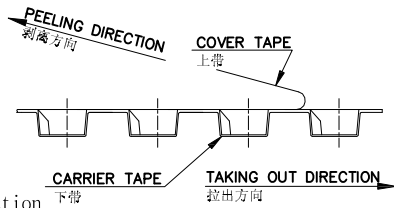
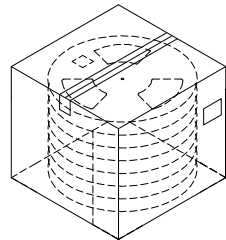
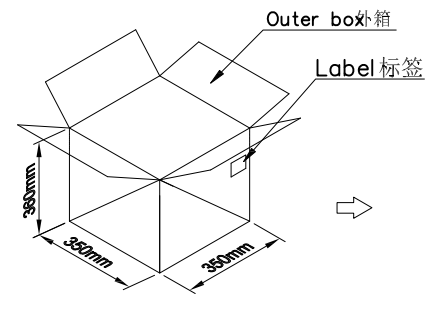
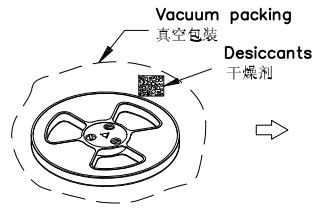


COVER TAPE PEEL STRENGTH: 20~120g
剥离力 20~120g
速度 PEEL SPEED: 300mm/minute



Single hole: None Hole Side
单孔: 贴无链孔侧
Double hole: Elliptical Hole Side
双孔: 贴椭圆孔侧



Note:

- Carrier Camber Is Within 1mm In 100mm ; 带长100mm 内容许弯曲度1mm
- 10 Sprocket Hole Pitch Cumulative Tolerance±0.2MM ; 圆孔十个孔距离累计允许公差为±0.2mm
- Carrier tape Material for PS ; 下带材质为 PS材质; Color 颜色: Natural 透明色
- Bracer 保护带: Color 颜色: Natural 透明色; 厚度0.40mm 最小
- Thickness=0.50±0.05 ; 材料厚度为 0.50±0.05mm
- Carton material 纸箱材质:K=K; Carton Thickness 纸箱厚度: 6±1mm

Product Part No. 产品料号	Carrier Tape No. 载带料号	W	S	F	T	G	Cover Tape(W) 上带(宽度)	Carrier Tape(Color) 下带(颜色)	REEL /PCS	CARTON /R	CARTON /PCS
2200WV-1x04-9TB05RR001Q	ZD2200WV-1x04HF	32	28.4	14.2	36.50	32.50	25.5	透明色	750	9	6750

GENERAL TOLERANCE	
.X	±0.30
.XX	±0.20
.XXX	±0.10
X°	±0.2°

GYA 东莞市国亚电子有限公司
Connectors Dong Guan Guo Ya Connectors co., ltd.

PART NO.
FPN: 2200WV-1x04-9TB05RR001Q
CTN: ZD2200WV-1x04HF

APPROVAL CHECK DRAWN DATE

TITLE:
2.20 mm Pin Header connectors Packing

DATE	REV	ECN NO.	DESCRIPTION	MODIFY	APPROVAL

Yangzhengguo Yangzhengyi Lviansheng 2016/08/26

UNIT	SCALE	SHEET	REV	NUMBER
mm	1:1	1/1	A0	A-000