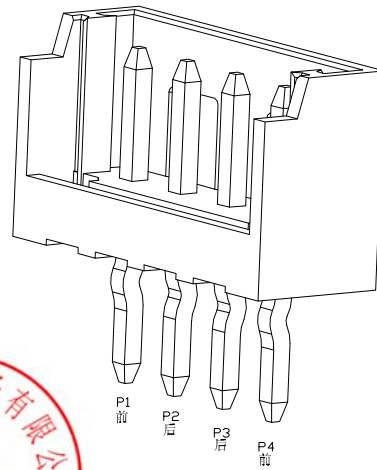
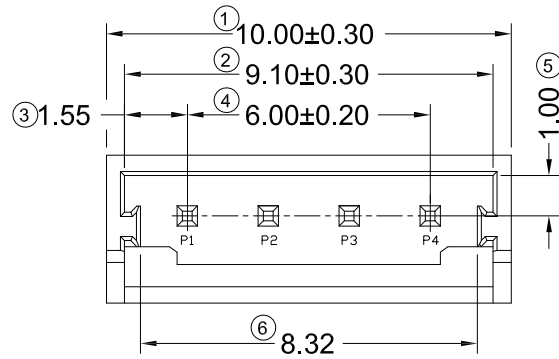


RoHS



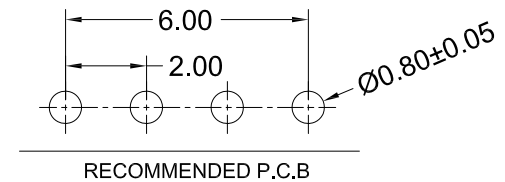
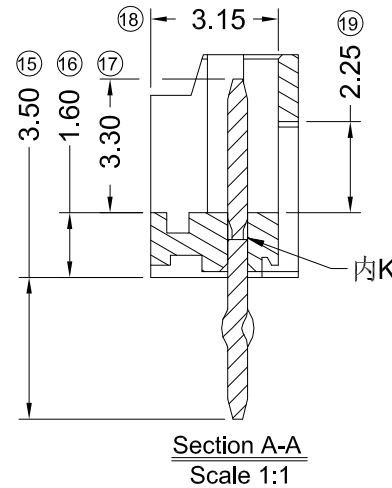
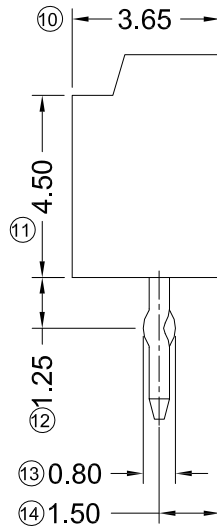
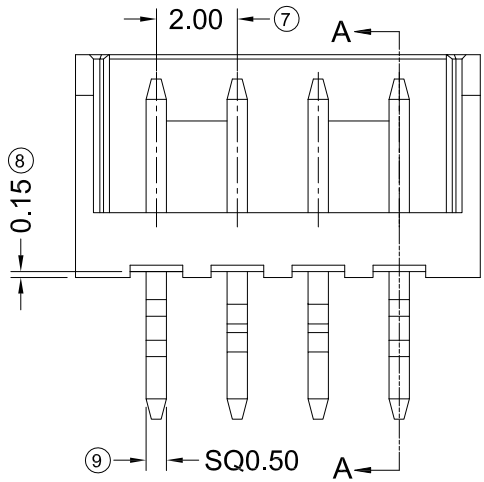
■ Specifications :

- Voltage rating: 250V AC / DC
- Current rating: 3A AC / DC
- Withstanding voltage: 800V AC/minute
- Temperature range: -25° ~+85°
- Insulation resistance: ≥1000MΩ
- Contact resistance: ≤10mΩ
- After environmental testing: ≤20mΩ

2018 W V X-1xXX -XX N B 03 X R 001 F

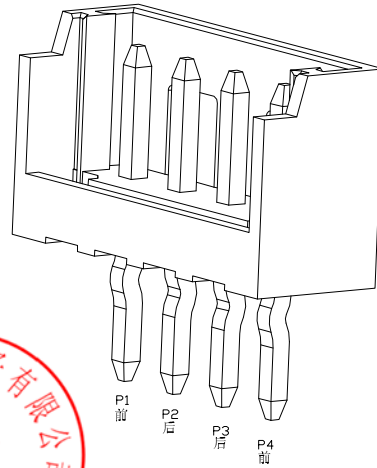
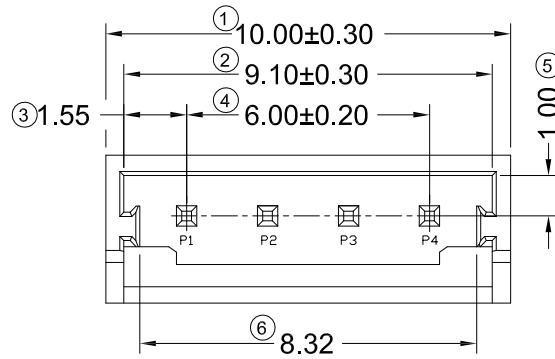
① ② ③ ④ ⑤ ⑥ ⑦ ⑧ ⑨ ⑩ ⑪ ⑫ ⑬

- ① Series No.
- ② Category: W-Wafer
- ③ Welding Board Angle: V-180°
- ④ Welding form: Blank-DIP
- ⑤ Row No.-Pin No.: 1x04-Single Row 1x04P
- ⑥ Plastic material: 46-PA46 94V-0
- ⑦ Color : N-Natural
- ⑧ Metal material: B-Brass
- ⑨ Plating Category:  
03-Bright Tin Plating (Ni 50", Tin100μ" Min)
- ⑩ Packag: B-Bag
- ⑪ Green code: R-Rohs
- ⑫ Water code: 001
- ⑬ Special code:F-Other Connectors



					GENERAL TOLERANCE .X ±0.35 .XX ±0.25 .XXX ±0.15 X.° ±2° PROJECT 				<b>GYA</b> 东莞市国亚电子有限公司 Connectors Dong Guan Guo Ya Connectors co., Ltd.				PART NO. 2018WV-1x04-46NB03BR001F TITLE 2.00mm Wafer Connector				
DATE	REV	ECN NO	DESCRIPTION	MODIFY	APPROVAL	APPROVAL	CHECK	DRAWN	DATE	UNIT	SCALE	SHEET	REV	NUMBER			
						Yangzhengguo	Yangzhengyi	Lvtiansheng	2016/08/26	mm	1:1	1/1	A0	A-000			

RoHS



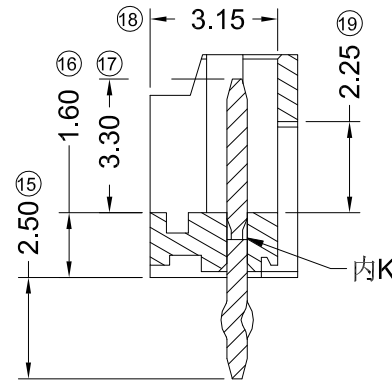
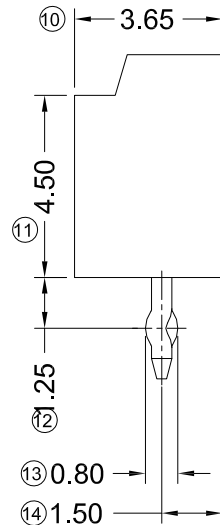
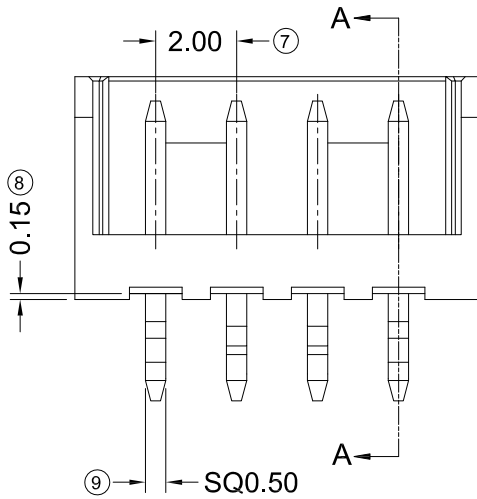
■ Specifications :

- Voltage rating: 250V AC / DC
- Current rating: 3A AC / DC
- Withstanding voltage: 800V AC/minute
- Temperature range: -25° ~+85°
- Insulation resistance: ≥1000MΩ
- Contact resistance: ≤10mΩ
- After environmental testing: ≤20mΩ

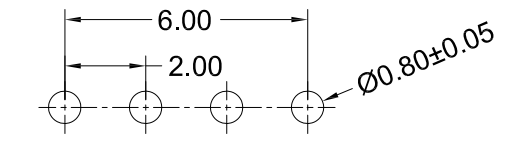
2018 W V X-1xXX -XX N B 03 X R 002 F

① ② ③ ④ ⑤ ⑥ ⑦ ⑧ ⑨ ⑩ ⑪ ⑫ ⑬

- ① Series No.
- ② Category: W-Wafer
- ③ Welding Board Angle: V-180°
- ④ Welding form: Blank-DIP
- ⑤ Row No.-Pin No.: 1x04-Single Row 1x04P
- ⑥ Plastic material: 46-PA46 94V-0
- ⑦ Color: N-Natural
- ⑧ Metal material: B-Brass
- ⑨ Plating Category:  
03-Bright Tin Plating (Ni 50", Tin100μ" Min)
- ⑩ Packag: B-Bag
- ⑪ Green code: R-Rohs
- ⑫ Water code: 002
- ⑬ Special code:F-Other Connectors



Section A-A  
Scale 1:1



RECOMMENDED P.C.B

					GENERAL TOLERANCE .X ±0.35 .XX ±0.25 .XXX ±0.15 X.° ±2° PROJECT 				<b>GYA</b> 东莞市国亚电子有限公司 Connectors Dong Guan Guo Ya Connectors co., Ltd.				PART NO. 2018WV-1x04-46NB03BR002F TITLE 2.00mm Wafer Connector				
DATE	REV	ECN NO	DESCRIPTION	MODIFY	APPROVAL	APPROVAL	CHECK	DRAWN	DATE	UNIT	SCALE	SHEET	REV	NUMBER			
						Yangzhengguo	Yangzhengyi	Lvtiansheng	2016/08/26	mm	1:1	1/1	A0	A-000			