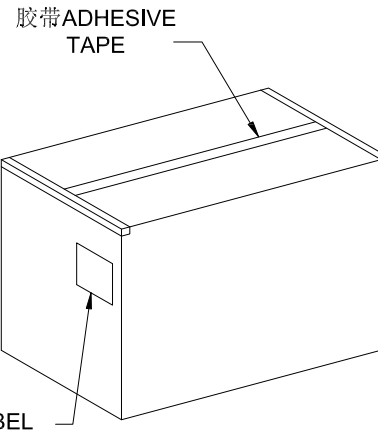
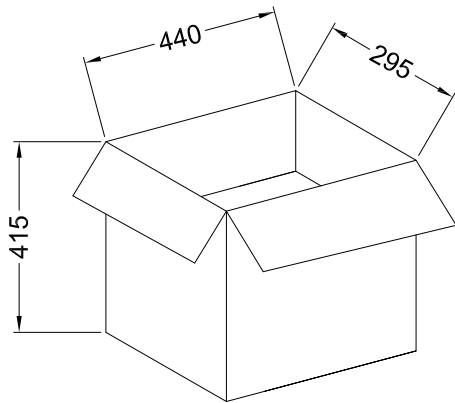
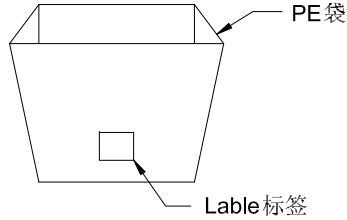


RoHS

包装图



Note 注解:

1. Put Housing in a PE bag, PE bag gauge for: 130 * 170 mm, Packing detail see the table below
将 Housing 放入PE袋内, PE袋规为:130*170mm, 详细包装见下表
2. Put PE bag packed products in specifications of 445 * 275 * 205 mm cartons, Packing detail see the table below
将装好产品的PE袋放入规格为440*295*415mm的纸箱内, 详细包装见下表
3. Label depends on customer request, carton opening joint with transparent tape
标签依客户要求而定, 纸箱开口处用透明胶带贴合.



Poles	Bag PCS	CARTON Bag	CARTON PCS
02	1000	220	220K

GENERAL TOLERANCE

.X ±0.35

.XX ±0.25

.XXX ±0.15

X° ±0.2°

视 编



东莞市国亚电子有限公司
Dong Guan Guo Ya Connectors co., Ltd.

APPROVAL

CHECK

DRAWN

DATE

Yangzhengguo

Yangzhengyi

Lvtiansheng

2016/08/26

PART NO.

1806HF-1x02-N0NBR01Q

TITLE:

1.80mm Housing Package

UNIT	SCALE	SHEET	REV	NUMBER
mm	1:1	1/1	A0	A-022

mm	1:1	1/1	A0	A-022
----	-----	-----	----	-------

DATE

1

REV

2

ECN NO.

DESCRIPTION

3

MODIFY

4

APPROVAL

5

APPROVAL

CHECK

DRAWN

DATE

Yangzhengguo

Yangzhengyi

Lvtiansheng

2016/08/26

6

7

8

RoHS

包装图

Note 注解:

1.Quantity 数量:

8K PCS/REEL 一卷10K/PCS

10 REEL/BOX 一箱12卷

80K PCS/BOX 一箱120K/PCS

2.Each reel and outer box must be labeled and Eco-Label Respectively labeled

每盘和外箱都必须有标签及环保标签分别标示

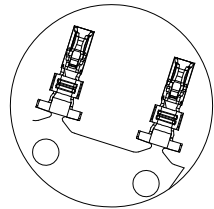
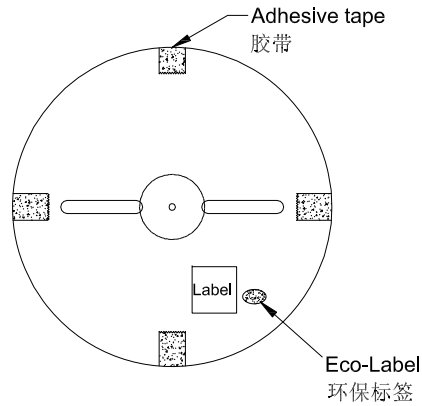
3.Terminal winding direction as shown

端子缠绕方向如左图所示

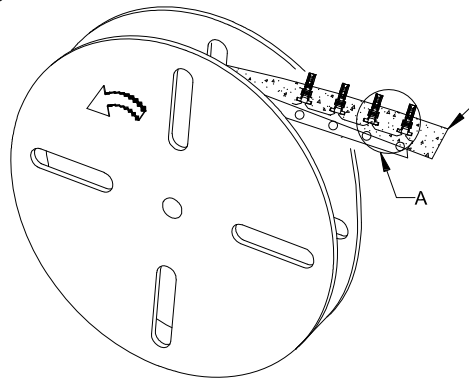
4.There shall be no dirt such as deformation phenomenon, Mantissa box fillers must be used

每箱不可有脏污, 变形现象, 尾数箱必须用填充物

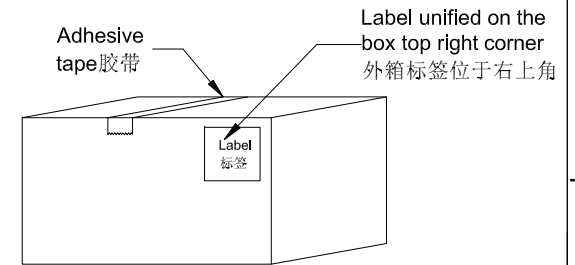
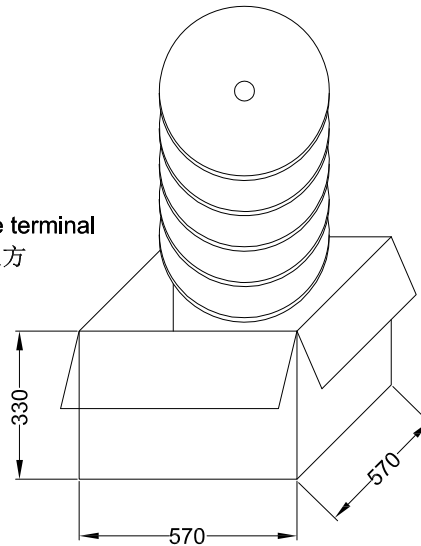
5.Carton material: K=K, Carton thickness: 6~7mm
纸箱材质:K=K, 纸箱厚度:6~7mm



局部放大图A



卷装方式
Package way

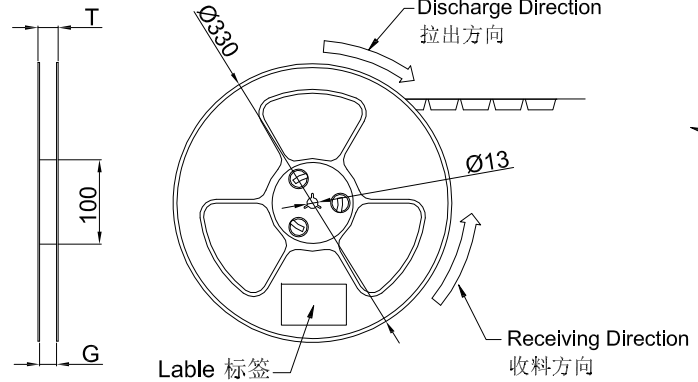
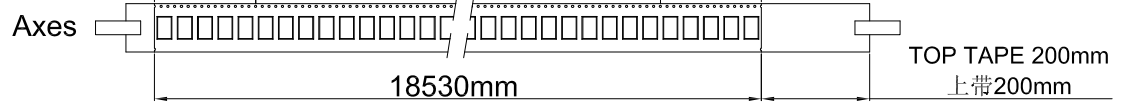


				GENERAL TOLERANCE		GYA 东莞市国亚电子有限公司 Connectors Dong Guan Guo Ya Connectors co., Ltd.				PART NO. 1806T-P08SH-01Q	
				.X ±0.35		APPROVAL		CHECK		DATE	
				.XX ±0.25		Yangzhengguo		Yangzhengyi		2016/08/26	
				.XXX ±0.15		YANGZHENG		LVTIAN		SHENG	
				X° ±0.2°		YANGZHENG		LVTIAN		SHENG	
DATE	REV	ECN NO.	DESCRIPTION	MODIFY	APPROVAL	VIEW	UNIT	SCALE	SHEET	REV	NUMBER
1						①	mm	1:1	1/1	A0	A-053

RoHS 包装图

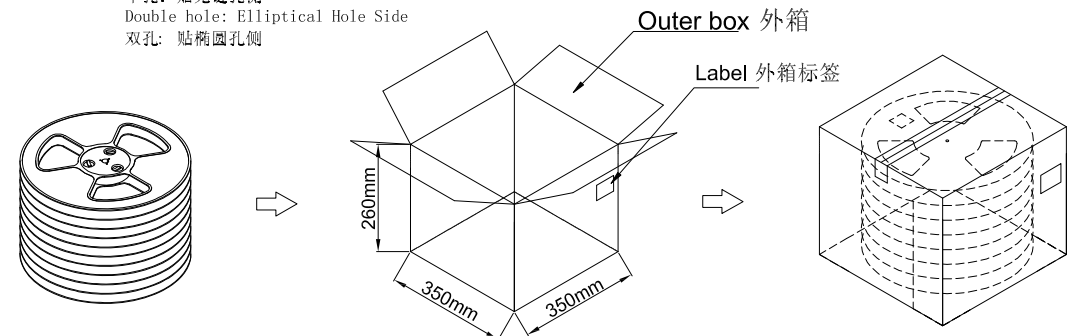
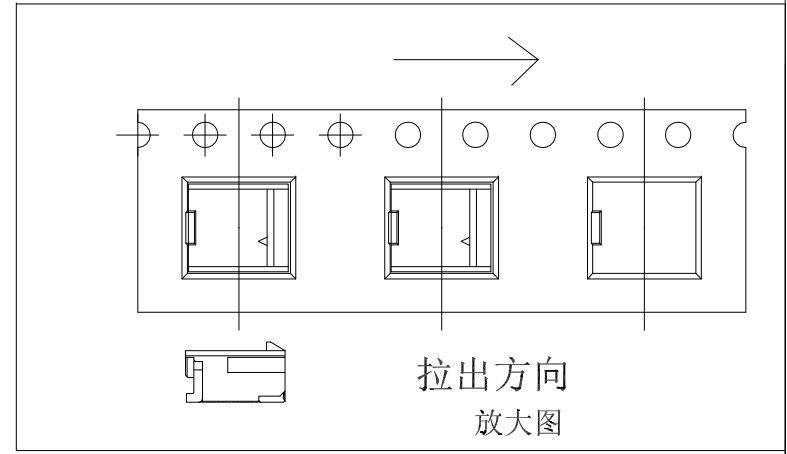
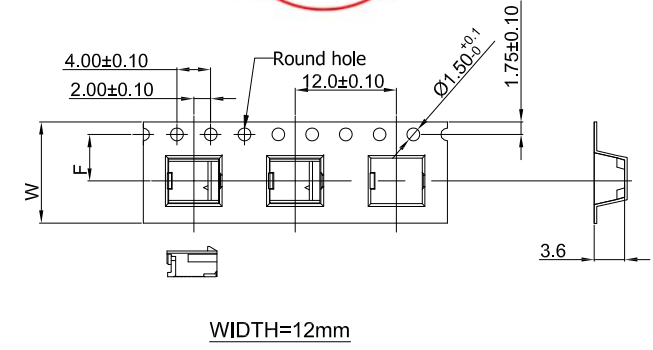
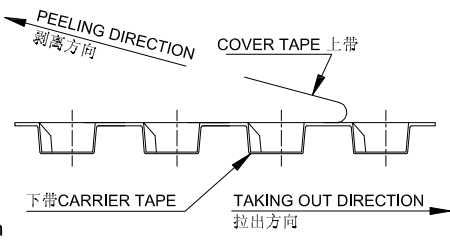


空22穴 Product 1500PCS Leader Part Empty 22Holes
18000mm 前空 22穴



Lable 标签
Single hole: None Hole Side
单孔: 贴无缝孔侧
Double hole: Elliptical Hole Side
双孔: 贴椭圆孔侧

COVER TAPE PEEL STRENGTH:20~120g
上带剥离力量:20~120g
速度 PEEL SPEED:300mm/minute



- Note:
- Carrier Camber Is Within 1mm In 100mm; 带长100mm 内容许弯曲度1mm
 - 10 Sprocket Hole Pitch Cumulative Tolerance±0.2MM; 圆孔十个孔距离累计允许公差为±0.2mm
 - Carrier tape material for PS; 下带材质为PS材质; Color 颜色: Natural 透明色
 - bracer保护带; Color 颜色: Natural 透明色, 厚度0.40mm 最小
 - Thickness=0.30±0.05; 材料厚度为0.30±0.05mm
 - Carton material 纸箱材质: K=K; Carton Thickness 纸箱厚度: 6~7mm

ZD1800WRS-02A-AHF	Part No.	W	S	F	T (MAX)	G (MAX)	REEL /PCS	CARTON /R	CARTON /PCS
1806WRS-1x02-LPNB05BR001Q	ZD1800WRS-02A-AHF	12	/	5.50	16.50	12.40	1500	13R	19.5K

GENERAL TOLERANCE	
.X	±0.35
.XX	±0.25
.XXX	±0.15
X.°	±0.2°
视图	

GYA 东莞市国亚电子有限公司
Connectors Dong Guan Guo Ya Connectors co., Ltd.

APPROVAL	CHECK	DRAWN	DATE
Yangzhengguo	Yangzhengyi	Lvtiansheng	2016/08/26

PART NO. PPN: 1806WRS-1x02-LPNB05BR001Q CPN: ZD1800WRS-02A-AHF				
TITLE: 1.80mm Connectors SMT 90° Package				
UNIT	SCALE	SHEET	REV	NUMBER
mm	1:1	1/1	A0	A-000

DATE	REV	ECN NO.	DESCRIPTION	MODIFY	APPROVAL

1 2 3 4 5 6 7 8

