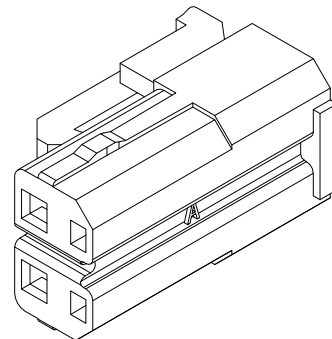
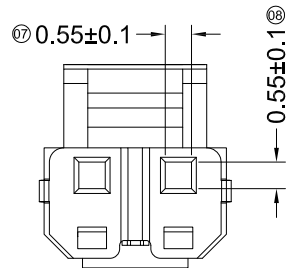
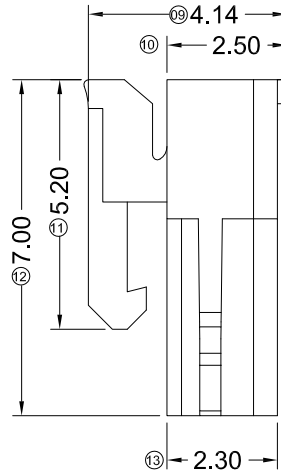
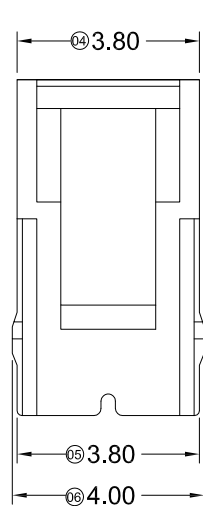
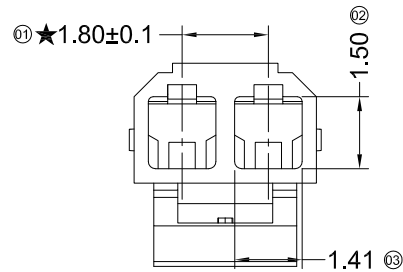


RoHS



Specifications :

- Voltage rating: 350V AC / DC
- Current rating: 3.2A AC / DC
- Withstanding voltage: 1700V AC/minute
- Temperature range: -40° ~+105°
- Insulation resistance: ≥1000MΩ
- Contact resistance: ≤10mΩ
- After environmental testing: ≤20mΩ
- "★"represents special characteristics
- "☆"represents critical characteristics

1806 H F-1x02-N0 N B R 01 Q

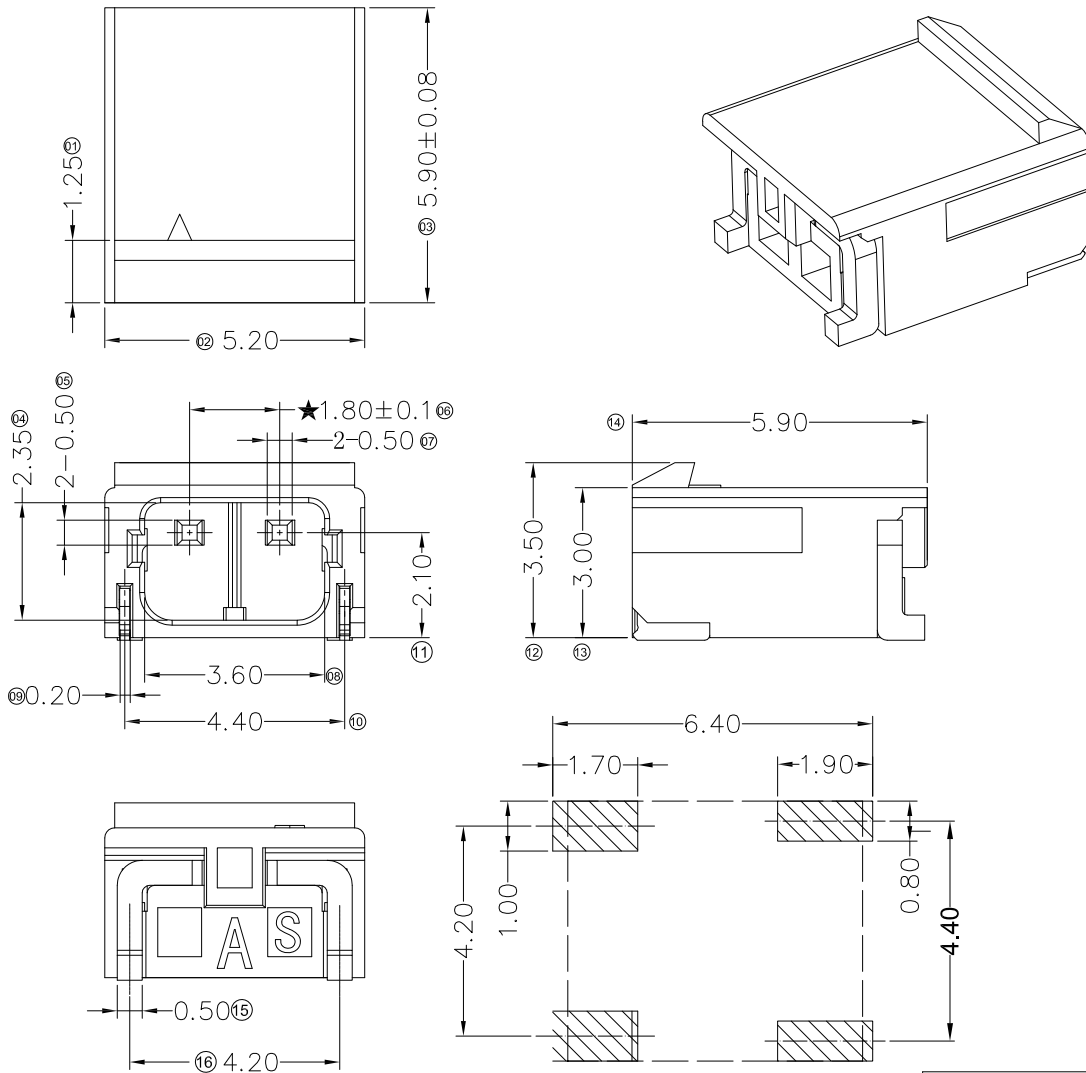
① ② ③ ④ ⑤ ⑥ ⑦ ⑧ ⑨ ⑩

- ① Series No: 1806
- ② Category: H-HSG
- ③ Product Form Coding: F-Female HSG
- ④ PIN Number.: 02 Pin;
- ⑤ Material : N0-PA66
- ⑥ Color code: N-White natural color
- ⑦ Packaging Code:B-in bags
- ⑧ Environmental Code:R-ROHS
- ⑨ Fluid code:01-99
- ⑩ Car and non-vehicle codes:Q

1806HF-1x02-N0NBR01Q	Nylon 66 UL 94V-0	1806T-P08SH-01Q	1806WRS-1x02-LPNB05BR001Q
PART NO	Material	Suitable GYA Terminal	Suitable GYA Wafer

				GENERAL TOLERANCE .X ±0.35 .XX ±0.25 .XXX ±0.15 X.° ±2°				GYA 东莞市国亚电子有限公司 Connectors Dong Guan Guo Ya Connectors co., Ltd.				PART NO. 1806HF-1x02-N0NBR01Q								
				PROJECT 				APPROVAL Yangzhengguo Yangzhengyi Lviliansheng				DATE 2016/08/26				TITLE 1.80mm Pitch connector housing				
DATE	REV	ECN NO.	DESCRIPTION	MODIFY	APPROVAL							UNIT	SCALE	SHEET	REV	NUMBER				
1												mm	1:1	1/1	A0	A-022				

RoHS



Specifications :

- Voltage rating: 350V AC / DC
- Current rating: 3.2A AC / DC
- Withstanding voltage: 1700V AC/minute
- Temperature range: -40° ~+105°
- Insulation resistance: ≥1000MΩ
- Contact resistance: ≤10mΩ
- After environmental testing: ≤20mΩ
- "★"represents special characteristics
- "☆"represents critical characteristics

1806 W R S-1x02-LP N B 05 R R 001 Q

① ② ③ ④ ⑤ ⑥ ⑦ ⑧ ⑨ ⑩ ⑪ ⑫ ⑬

- ① Series No.1806
- ② Category: W-Wafer
- ③ Connector Type: R-Right Angle 90°
- ④ Mounting Type: S-SMT
- ⑤ Row No.-Pin No: 1x02Pin
- ⑥ Plastic material: LP -LCP 94V-0
- ⑦ Color code : N -natural colour
- ⑧ Hardware: B-Brass
- ⑨ Electroplating code:05-Matte Tin
- ⑩ Packaging code:R;
- ⑪ Environmental Code:R-R0HS;
- ⑫ Fluid code: 001-100;
- ⑬ Car code:Q.



Recommended P.C.B Layout
General Tolerance±0.05

1806WRS-1x02-LPNB05RR001Q	LCP UL 94V-0	Brass	Stamping Before Plating:50u" Ni;100u"Sn	1806HF-1x02-N0NBR01Q
PART NO	Material	Material (Pin&Solder tab)	Finish(Pin)	Mates With GYA Housing

GENERAL TOLERANCE

.X	±0.30
.XX	±0.20
.XXX	±0.10
X.°	±2°



东莞市国亚电子有限公司
Dong Guan Guo Ya Connectors co., Ltd.

APPROVAL

CHECK

DRAWN

DATE

PROJECT



Yangzhengguo

Yangzhengyi

Lvtiansheng

2016/08/26

PART NO.

1806WRS-1x02-LPNB05RR001Q

TITLE

1.80mm Pitch connector Wafer

UNIT	SCALE	SHEET	REV	NUMBER
mm	1:1	1/1	A0	A-000

DATE	REV	ECN NO.	DESCRIPTION	MODIFY	APPROVAL
1					
2					
3					
4					