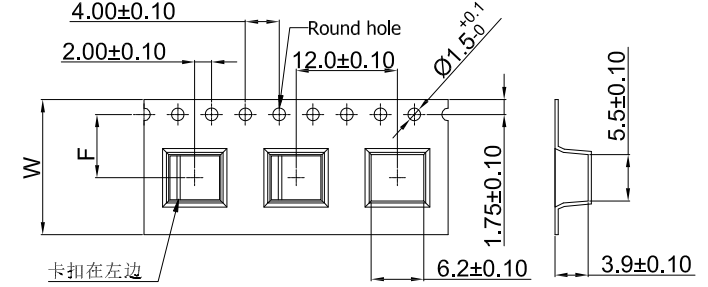
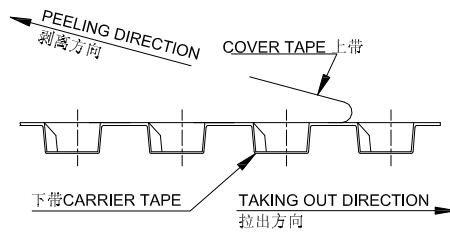
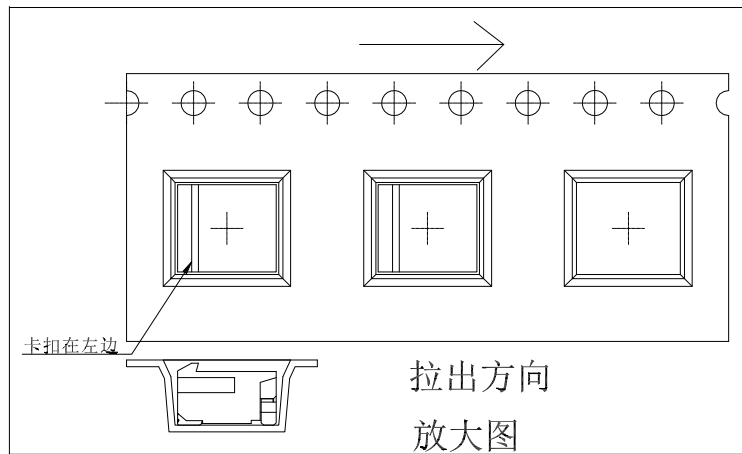
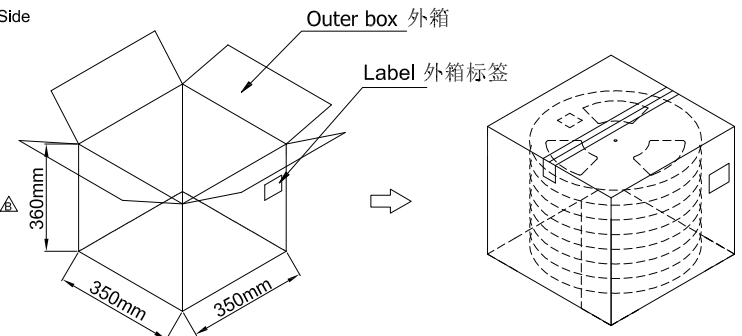
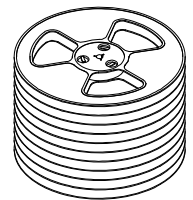


COVER TAPE PEEL STRENGTH:30~80g
上带剥离力量:30~80g
速度 PEEL SPEED:300mm/minute



Lable 标签
Single hole: None Hole Side
单孔: 贴无链孔侧
Double hole: Elliptical Hole Side
双孔: 贴椭圆孔侧



- Note:**
- Carrier Camber Is Within 1mm In 100mm ; 带长100mm 内容许弯曲度1mm
 - 10 Sprocket Hole Pitch Cumulative Tolerance ± 0.2 MM ; 圆孔十个孔距累积允许公差为 ± 0.2 mm
 - Carrier tape material for PS ; 下带材质为PS材质; Color颜色:Natural透明色
 - bracer保护带: Color颜色:Natural透明色, 厚度0.40mm最小
 - Thinkess= 0.30 ± 0.05 ; 材料厚度为 0.30 ± 0.05 mm
 - Carton material 纸箱材质:K=K; Carton Thickness 纸箱厚度: 6~7mm

ZD1800WRS-02B 1800WRS-02B-4TSW	Part No. ZD1800WRS-02B	W 16	S /	F 7.50	T (MAX) 22.50	G(MAX) 16.50	REEL /PCS 1400	CARTON /R 17R	CARTON /PCS 23.8K
-----------------------------------	---------------------------	---------	--------	-----------	------------------	-----------------	-------------------	------------------	----------------------

GENERAL TOLERANCE	
.X	± 0.35
.XX	± 0.25
.XXX	± 0.15
X°	± 0.2
视图	

GYA 东莞市国亚电子有限公司
Connectors Dong Guan Guo Ya Connectors co., Ltd.

APPROVAL	CHECK	DRAWN	DATE
Yangzhengguo	Yangzhengyi	Lvtiansheng	2016/08/26

PART NO. PPN: 1800WRS-02B-4TSW CPN: ZD1800WRS-02B				
TITLE: 1.80mm Connectors SMT 90° Package				
UNIT	SCALE	SHEET	REV	NUMBER
mm	1:1	1/1	A0	A-106

DATE	REV	ECN NO.	DESCRIPTION	MODIFY	APPROVAL