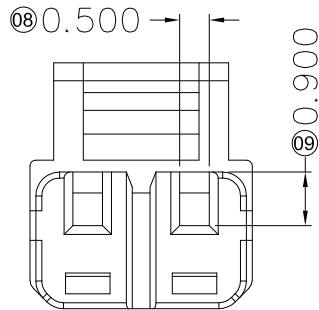
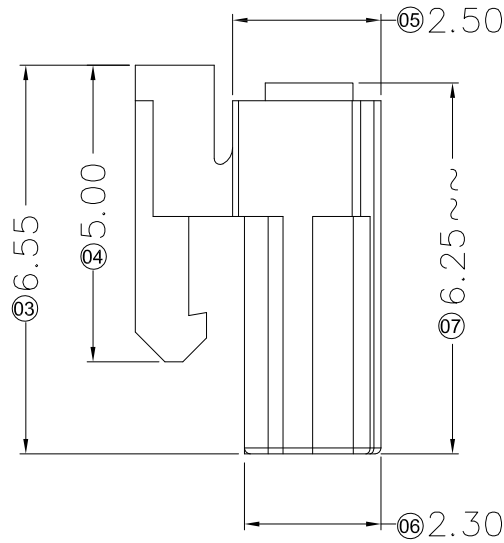
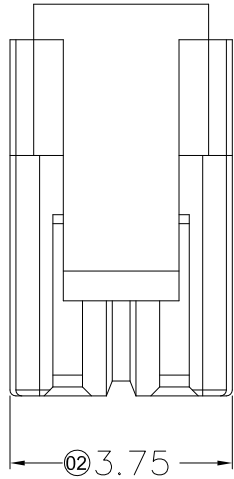
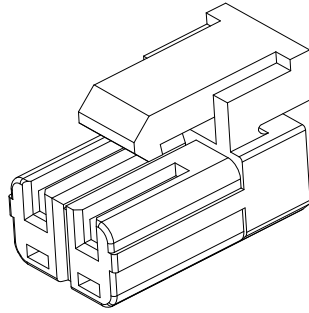
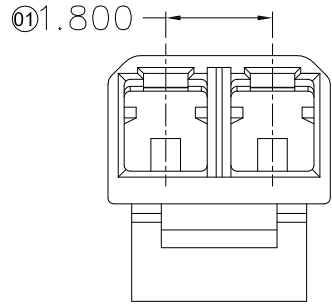


RoHS



■ Specifications :

- Voltage rating: 350V AC / DC
- Current rating: 3.2A AC / DC
- Withstanding voltage: 1700V AC/minute
- Temperature range: -40° ~+105°
- Insulation resistance: ≥1000MΩ
- Contact resistance: ≤10mΩ
- After environmental testing: ≤20mΩ
- Suitable GYA Terminal: 1800T-BX
- Suitable GYA Wafer: 1800WRS-02B

1800 H -02 B-N0 HF

① ② ③ ④ ⑤ ⑥

- ① Series No
- ② Category: H-HSG
- ③ Row No.-Pin No.: 02-02P
- ④ Special No: B-Short Body With Lock
- ⑤ Material: N0-PA66 94V-0
- ⑥ HF-Halogen Free



GENERAL TOLERANCE

.X	±0.30
.XX	±0.20
.XXX	±0.10
X.°	±2°



东莞市国亚电子有限公司  
Dong Guan Guo Ya Connectors co., Ltd.

APPROVAL

CHECK

DRAWN

DATE

Yangzhengguo

Yangzhengyi

Lvtiansheng

2016/08/26

PART NO.

1800H-02B-N0HF

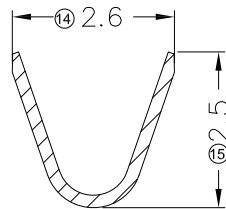
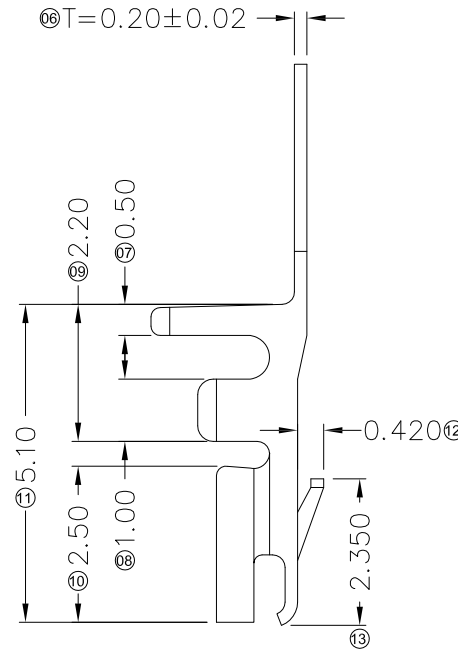
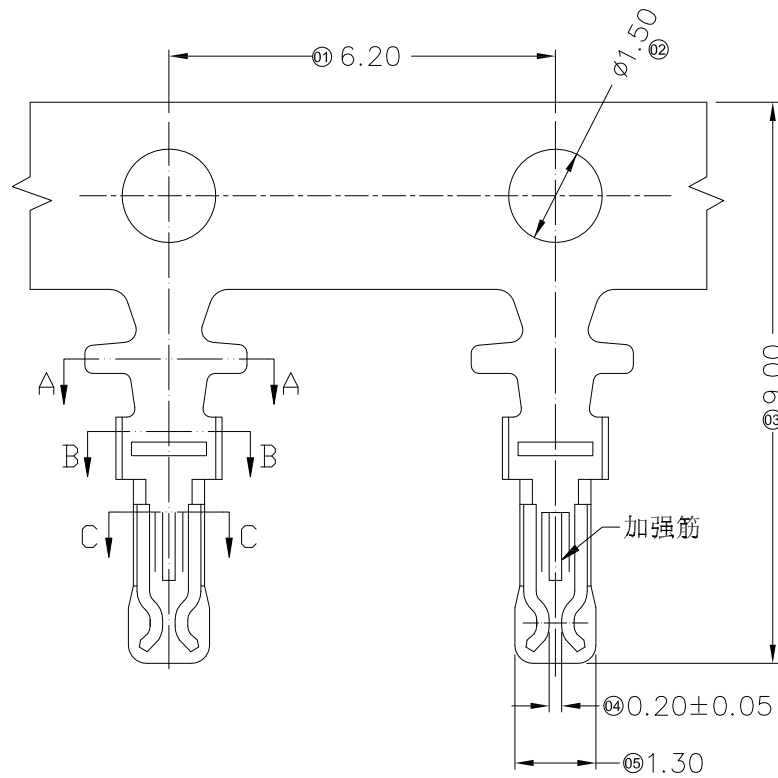
TITLE

1.80mm Crimp Style Connectors

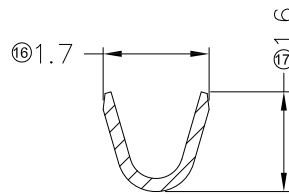
UNIT	SCALE	SHEET	REV	NUMBER
mm	1:1	1/1	A0	A-022

DATE	REV	ECN NO.	DESCRIPTION	MODIFY	APPROVAL
1					
2					
3					
4					
5					

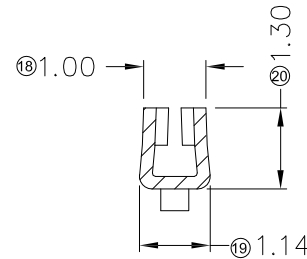
RoHS



SECTION A-A  
SCALE 1:1



SECTION B-B  
SCALE 1:1



SECTION C-C  
SCALE 1:1

■ Specifications :

- Voltage rating: 350V AC / DC
- Current rating: 3.2A AC / DC
- Withstanding voltage: 1700V AC/minute
- Temperature range: -40° ~+105°
- Insulation resistance: ≥1000MΩ
- Contact resistance: ≤10mΩ
- After environmental testing: ≤20mΩ
- Wire Size: AWG#22~26(0.35~0.13mm<sup>2</sup>)
- Insulation O.D.: 1.30mm Max
- Used In GYA Housing: 1800H-02B

1800 T X-P SN-B

① ② ③ ④ ⑤ ⑥

- ① Series Number
- ② Category: T-terminal
- ③ Shape: Blank-ordinary
- ④ Material: P-Phosphor bronze
- ⑤ Plating Code: SN-Bright tin plating
- ⑥ B-B TYPE

					GENERAL TOLERANCE .X ±0.35 .XX ±0.25 .XXX ±0.15 X.° ±2°				<b>GYA</b> 东莞市国亚电子有限公司 Connectors Dong Guan Guo Ya Connectors co., Ltd.				PART NO. 1800T-PSN-B TITLE 1.80mm Crimp Style Connectors			
					PROJECT 				APPROVAL Yangzhengguo		CHECK Yangzhengyi		DRAWN Lviliansheng		DATE 2016/08/26	
DATE	REV	ECN ON.	DESCRIPTION	MODIFY	APPROVAL					UNIT	SCALE	SHEET	REV	NUMBER		
1										mm	1:1	1/1	A0	A-000		

