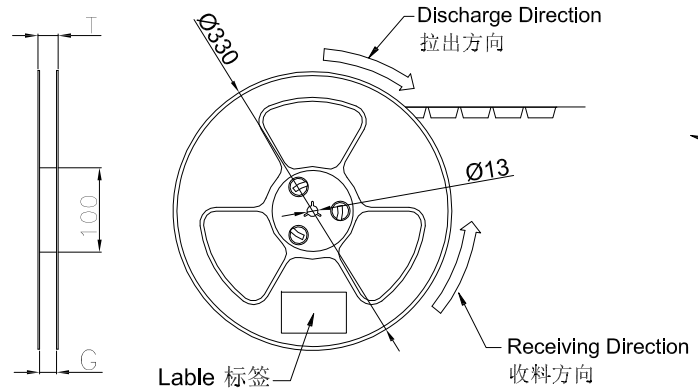
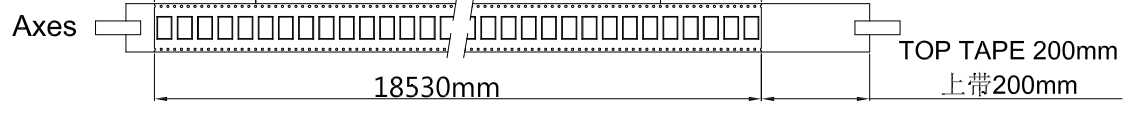
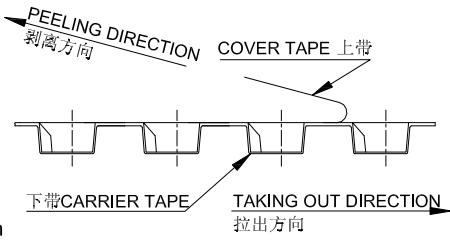




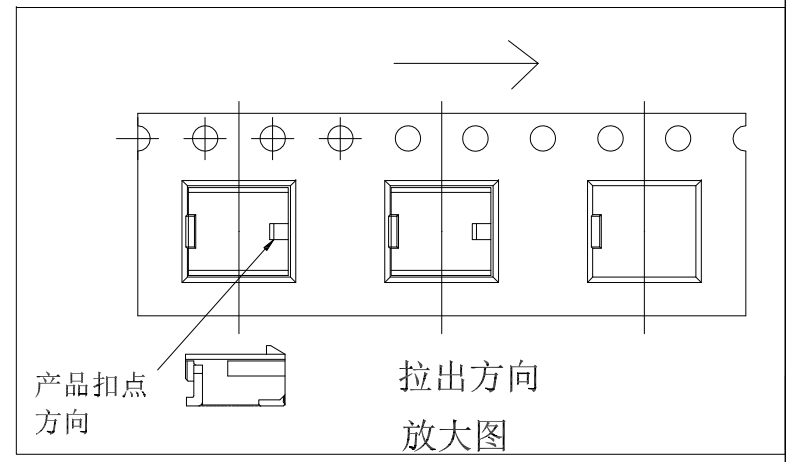
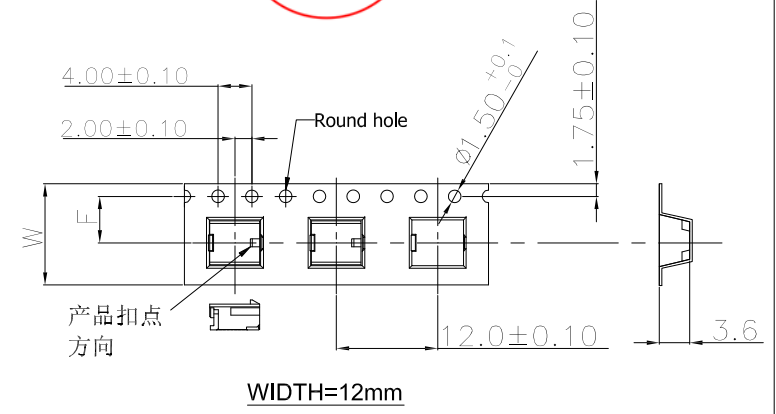
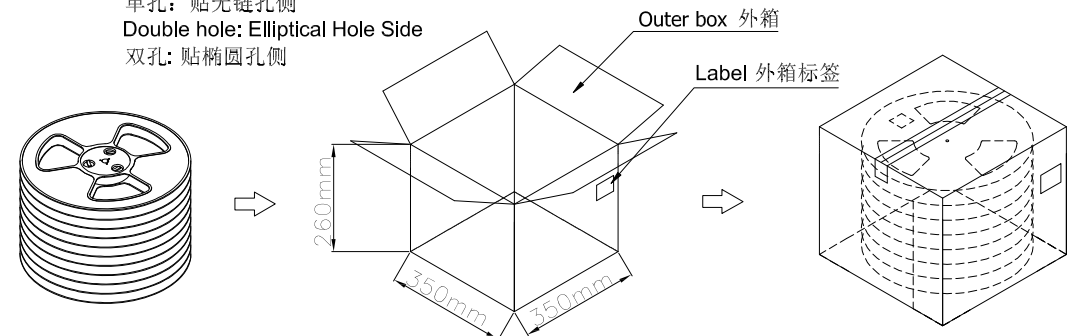
空22穴 Product 1500PCS Leader Part Empty 22Holes  
18000mm 前空 22穴



COVER TAPE PEEL STRENGTH:20~120g  
上带剥离力量:20~120g  
速度 PEEL SPEED:300mm/minute



Lable 标签  
Single hole: None Hole Side  
单孔: 贴无链孔侧  
Double hole: Elliptical Hole Side  
双孔: 贴椭圆孔侧

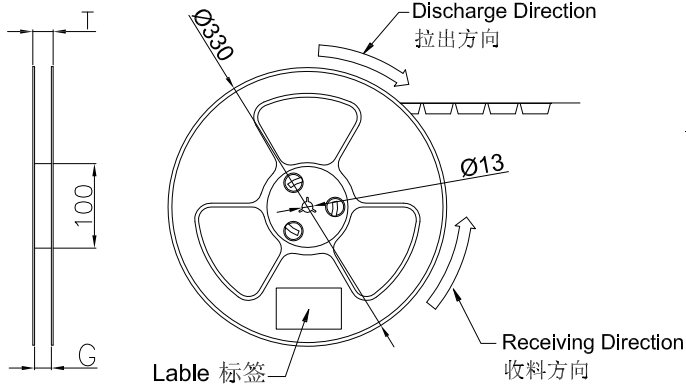
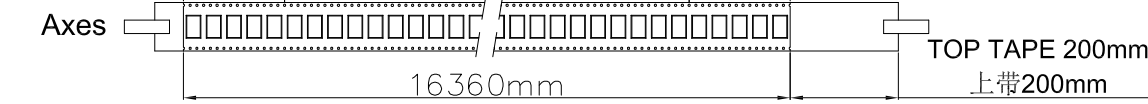


- Note:
- Carrier Camber Is Within 1mm In 100mm ; 带长100mm 内容许弯曲度1mm
  - 10 Sprocket Hole Pitch Cumulative Tolerance±0.2MM ; 圆孔十个孔距离累计允许公差为±0.2mm
  - Carrier tape material for PS ; 下带材质为PS材质; Color颜色:Natural透明色
  - bracer保护带: Color颜色:Natural透明色, 厚度0.40mm最小
  - Thinkess=0.30±0.05 ; 材料厚度为0.30±0.05mm
  - Carton material 纸箱材质:K=K; Carton Thickness 纸箱厚度: 6~7mm

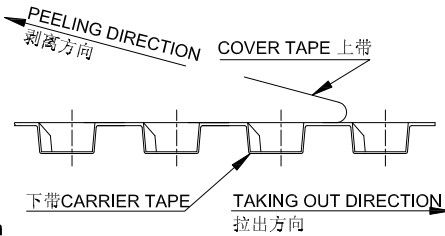
ZD1800WRS-02A-AHF	Part No.	W	S	F	T (MAX)	G(MAX)	REEL /PCS	CARTON /R	CARTON /PCS
1800WRS-02A-XXXX-A	ZD1800WRS-02AHF	12	/	5.50	16.50	12.40	1500	13R	19.5K

					<b>GENERAL TOLERANCE</b> .X ±0.35 .XX ±0.25 .XXX ±0.15 X° ±0.2° 视图 				<b>GYA</b> 东莞市国亚电子有限公司 Connectors Dong Guan Guo Ya Connectors co., Ltd.				PART NO. PPN: 1800WRS-02A-XXXX-A CTN: ZD1800WRS-02A-AHF TITLE: 1.80mm Connectors SMT 90° Package			
DATE	REV	ECN NO.	DESCRIPTION	MODIFY	APPROVAL	APPROVAL	CHECK	DRAWN	DATE	UNIT	SCALE	SHEET	REV	NUMBER		
						Yangzhengguo	Yangzhengyi	Lvtiansheng	2016/08/26	mm	1:1	1/1	A0	A-106		

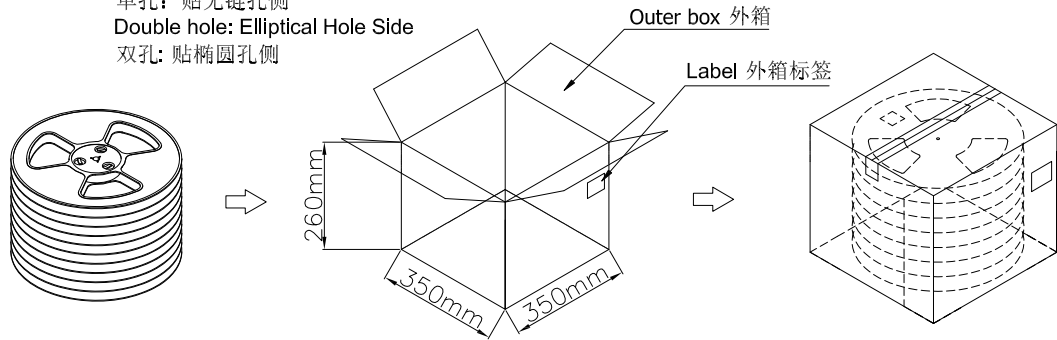
空26穴 Product 2000PCS Leader Part Empty 22Holes  
16000mm 前空 26穴



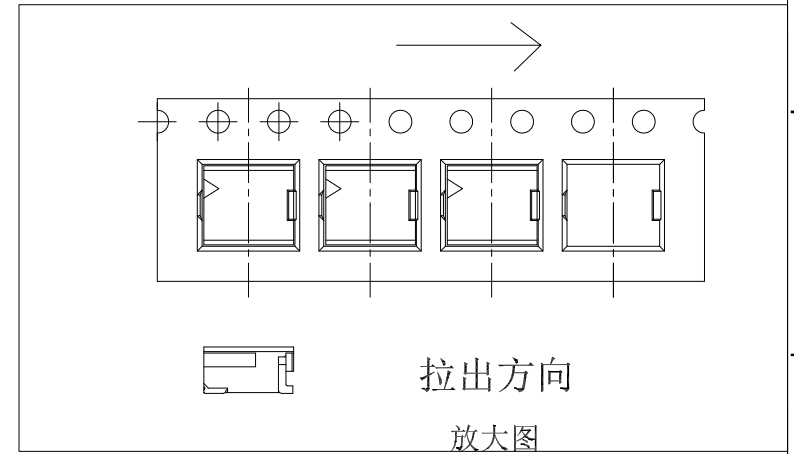
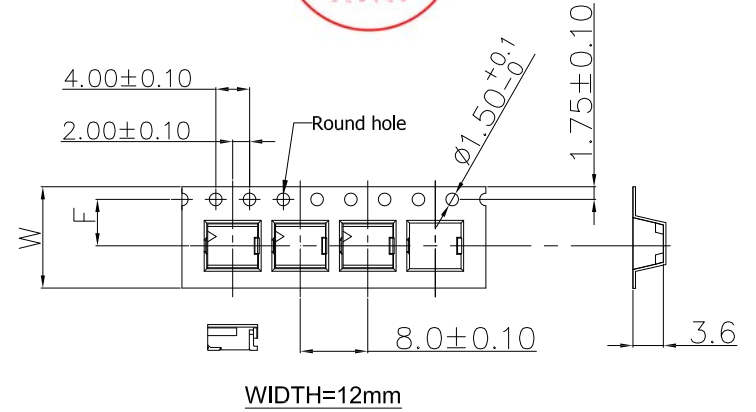
COVER TAPE PEEL STRENGTH:20~120g  
上带剥离力:20~120g  
速度 PEEL SPEED:300mm/minute



Lable 标签  
Single hole: None Hole Side  
单孔: 贴无链孔侧  
Double hole: Elliptical Hole Side  
双孔: 贴椭圆孔侧



- Note:**
- Carrier Camber Is Within 1mm In 100mm ; 带长100mm 内容许弯曲度1mm
  - 10 Sprocket Hole Pitch Cumulative Tolerance±0.2MM; 圆孔十个孔距离累计允许公差为±0.2mm
  - Carrier tape material for PS; 下带材质为PS材质; Color颜色:Natural透明色
  - bracer保护带: Color颜色:Natural透明色, 厚度0.40mm最小
  - Thinkess=0.30±0.05; 材料厚度为0.30±0.05mm
  - Carton material纸箱材质:K=K; Carton Thickness 纸箱厚度: 6±1mm



ZD1800WRS-02HF	Part No.	W	S	F	T (MAX)	G(MAX)	REEL /PCS	CARTON /R	CARTON /PCS
1800WRS-02-XXXX	ZD1800WRS-02HF	12	/	5.50	16.50	12.40	2000	13R	26K

GENERAL TOLERANCE

.X	±0.35
.XX	±0.25
.XXX	±0.15
X°	±0.2°



东莞市国亚电子有限公司  
Dong Guan Guo Ya Connectors co., Ltd.

APPROVAL CHECK DRAWN DATE

Yangzhengguo Yangzhengyi LvTiansheng 2016/08/26

PART NO.

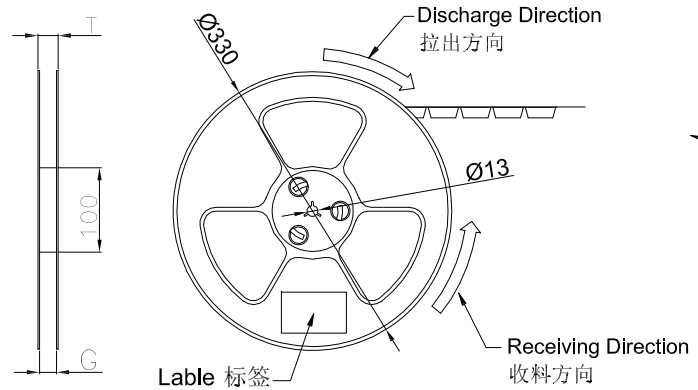
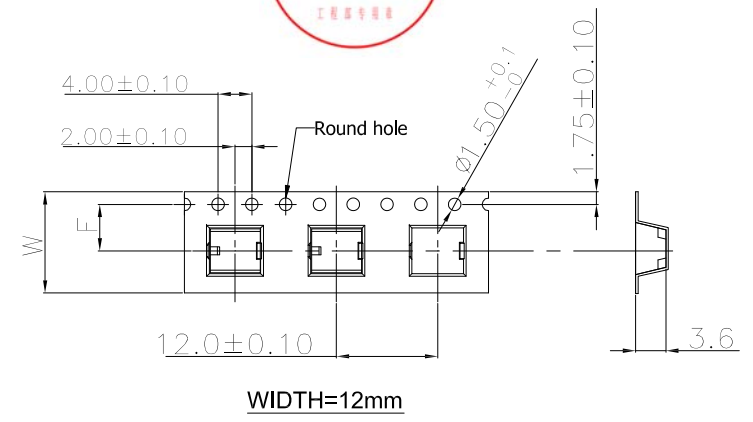
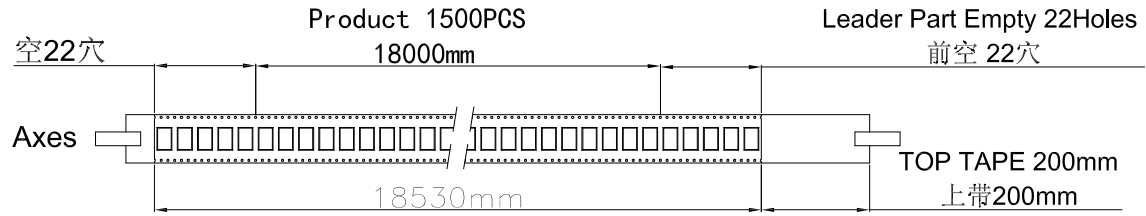
PPN: 1800WRS-02-XXXX  
CTN: ZD1800WRS-02HF

TITLE:

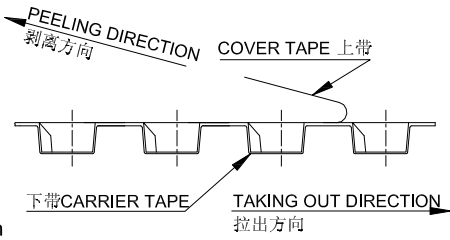
1.80mm Connectors SMT 90° Package

UNIT	SCALE	SHEET	REV	NUMBER
mm	1:1	1/1	A0	A-106

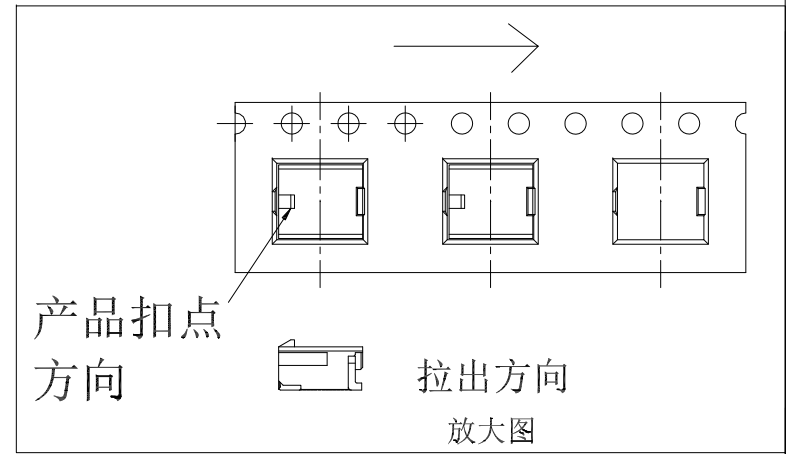
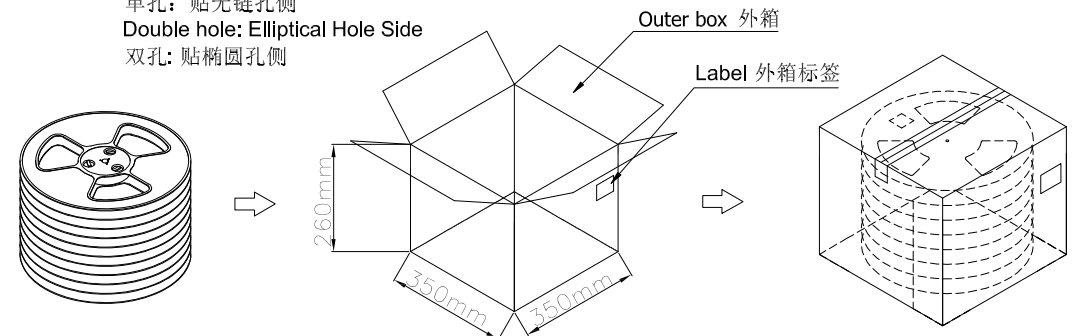
DATE	REV	ECN NO.	DESCRIPTION	MODIFY	APPROVAL
1					
2					
3					
4					
5					



COVER TAPE PEEL STRENGTH:20~120g  
上带剥离力量:20~120g  
速度 PEEL SPEED:300mm/minute



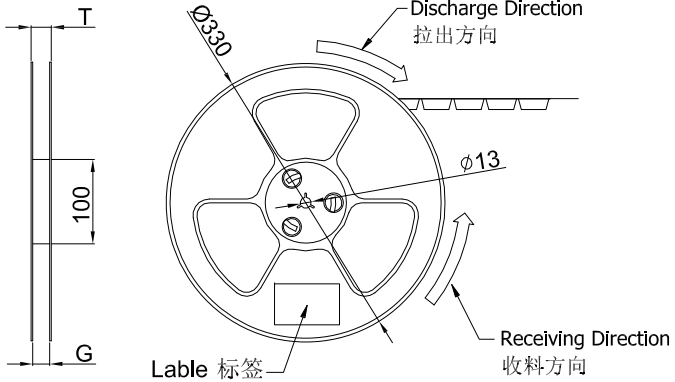
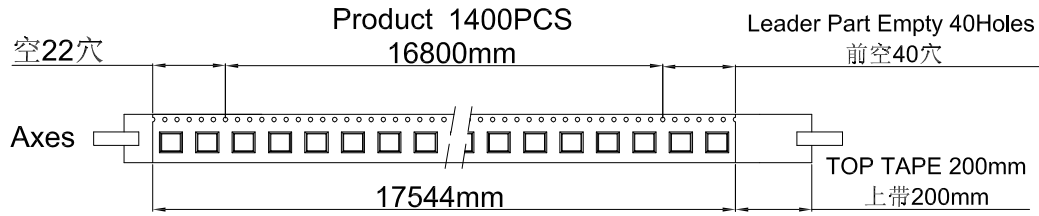
Single hole: None Hole Side  
单孔: 贴无链孔侧  
Double hole: Elliptical Hole Side  
双孔: 贴椭圆孔侧



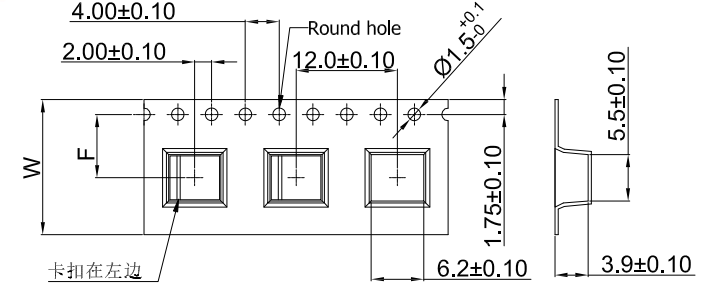
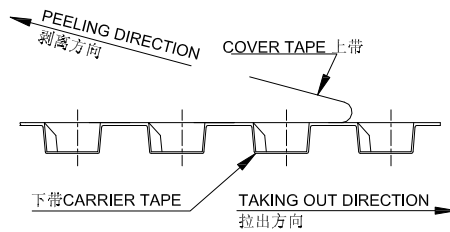
- Note:
- Carrier Camber Is Within 1mm In 100mm ; 带长100mm 内容许弯曲度1mm
  - 10 Sprocket Hole Pitch Cumulative Tolerance±0.2MM ; 圆孔十个孔距离累计允许公差为±0.2mm
  - Carrier tape material for PS ; 下带材质为PS材质; Color颜色:Natural透明色
  - bracer保护带: Color颜色:Natural透明色, 厚度0.40mm最小
  - Thinkess=0.30±0.05 ; 材料厚度为0.30±0.05mm
  - Carton material 纸箱材质:K=K; Carton Thickness 纸箱厚度: 6~7mm

ZD1800WRS-02AHF	Part No.	W	S	F	T (MAX)	G(MAX)	REEL /PCS	CARTON /R	CARTON /PCS
1800WRS-02A-XXXX	ZD1800WRS-02AHF	12	/	5.50	16.50	12.40	1500	13R	19.5K

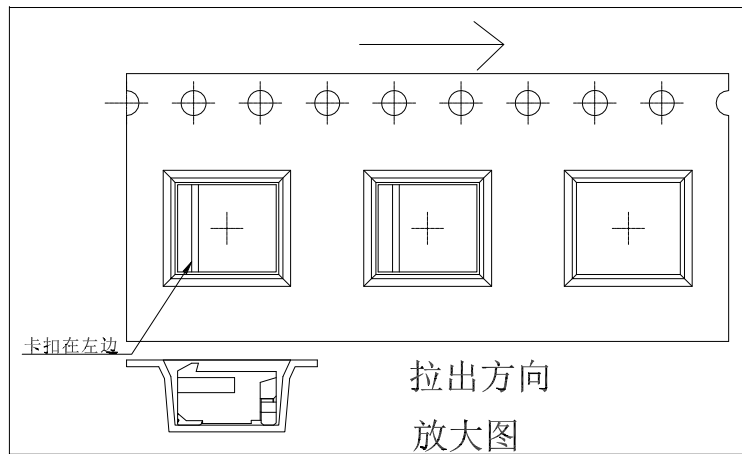
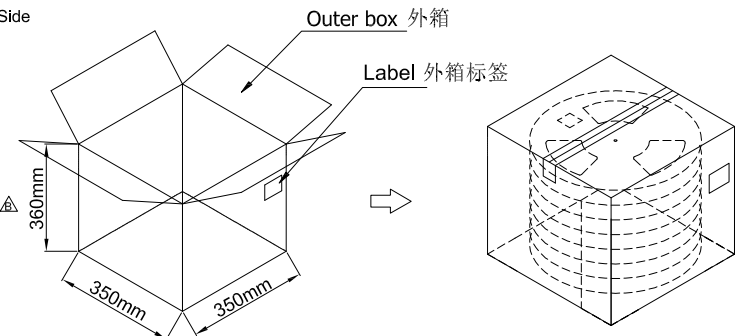
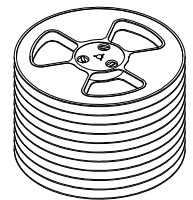
					<b>GENERAL TOLERANCE</b> .X ±0.35 .XX ±0.25 .XXX ±0.15 X° ±0.2° 视图 				<b>GYA</b> 东莞市国亚电子有限公司 Connectors Dong Guan Guo Ya Connectors co., Ltd.				PART NO. PPN: 1800WRS-02A-XXXX CTN: ZD1800WRS-02AHF			
					APPROVAL Yangzhengguo CHECK Yangzhengyi DRAWN Lviansheng DATE 2016/08/26				TITLE: 1.80mm Connectors SMT 90° Package							
DATE	REV	ECN NO.	DESCRIPTION	MODIFY	APPROVAL	UNIT	SCALE	SHEET	REV	NUMBER						
1						mm	1:1	1/1	C	A-106						



COVER TAPE PEEL STRENGTH:30~80g  
上带剥离力量:30~80g  
速度 PEEL SPEED:300mm/minute



Lable 标签  
Single hole: None Hole Side  
单孔: 贴无链孔侧  
Double hole: Elliptical Hole Side  
双孔: 贴椭圆孔侧



- Note:**
- Carrier Camber Is Within 1mm In 100mm ; 带长100mm 内容许弯曲度1mm
  - 10 Sprocket Hole Pitch Cumulative Tolerance $\pm 0.2$ MM ; 圆孔十个孔距累积允许公差为 $\pm 0.2$ mm
  - Carrier tape material for PS ; 下带材质为PS材质; Color颜色:Natural透明色
  - bracer保护带: Color颜色:Natural透明色, 厚度0.40mm最小
  - Thinkess= $0.30\pm 0.05$  ; 材料厚度为 $0.30\pm 0.05$ mm
  - Carton material 纸箱材质:K=K; Carton Thickness 纸箱厚度: 6~7mm

ZD1800WRS-02B 1800WRS-02B-4TSW	Part No. ZD1800WRS-02B	W 16	S /	F 7.50	T (MAX) 22.50	G(MAX) 16.50	REEL /PCS 1400	CARTON /R 17R	CARTON /PCS 23.8K
-----------------------------------	---------------------------	---------	--------	-----------	------------------	-----------------	-------------------	------------------	----------------------

GENERAL TOLERANCE	
.X	$\pm 0.35$
.XX	$\pm 0.25$
.XXX	$\pm 0.15$
X°	$\pm 0.2$
视图	

**GYA** 东莞市国亚电子有限公司  
Connectors Dong Guan Guo Ya Connectors co., Ltd.

APPROVAL	CHECK	DRAWN	DATE
Yangzhengguo	Yangzhengyi	Lvtiansheng	2016/08/26

PART NO. PPN: 1800WRS-02B-4TSW CPN: ZD1800WRS-02B				
TITLE: 1.80mm Connectors SMT 90° Package				
UNIT	SCALE	SHEET	REV	NUMBER
mm	1:1	1/1	A0	A-106

DATE	REV	ECN NO.	DESCRIPTION	MODIFY	APPROVAL
1					
2					
3					
4					