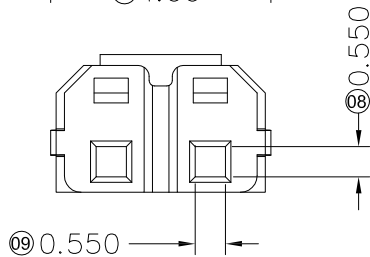
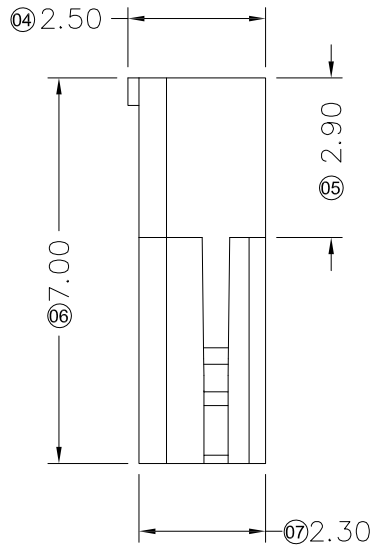
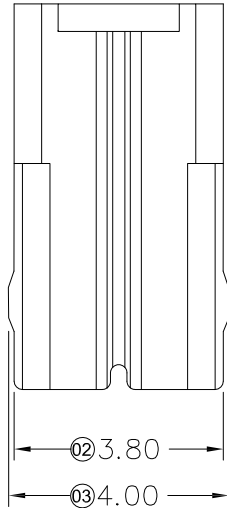
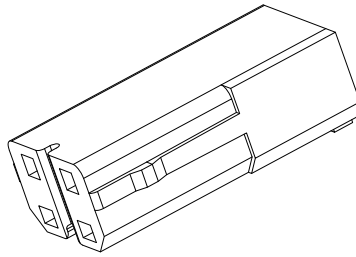
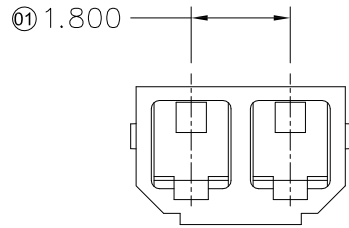


RoHS



■ Specifications :

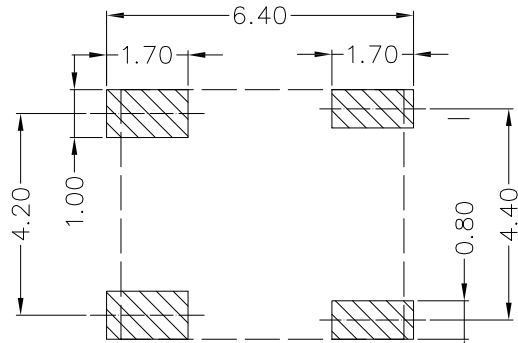
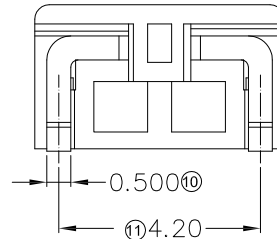
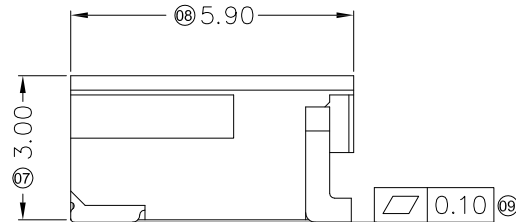
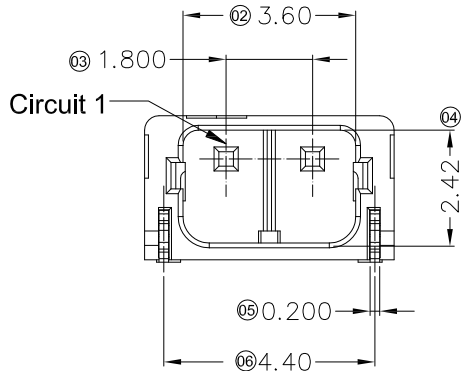
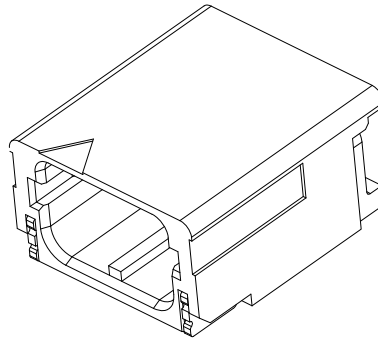
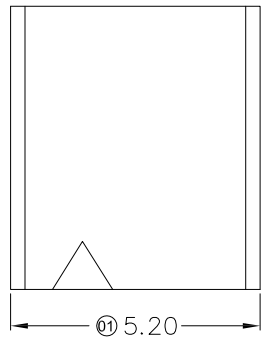
- Voltage rating: 350V AC / DC
- Current rating: 3.2A AC / DC
- Withstanding voltage: 1700V AC/minute
- Temperature range: -40° ~+105°
- Insulation resistance: ≥1000MΩ
- Contact resistance: ≤10mΩ
- After environmental testing: ≤20mΩ
- Suitable GYA Terminal: 1800TX-PSN-A
- Suitable GYA Wafer: 1800WRS-02

1800 H X-02 XX-N0 HF  
 ① ② ③ ④ ⑤ ⑥ ⑦

- ① Series No.
- ② Category: H-HSG
- ③ Welding Board Angle: Blank-ordinary
- ④ Row No.-Pin No.: 02-02P
- ⑤ Special No.:
- ⑥ Material: N0-PA66 94V-0
- ⑦ HF-Halogen Free

|      |     |         |             |        |   |      |       |       |  |        |    |       |  |  |  |  |
|------|-----|---------|-------------|--------|---|------|-------|-------|--|--------|----|-------|--|--|--|--|
|      |     |         |             |        | GENERAL TOLERANCE<br>.X ±0.30<br>.XX ±0.20<br>.XXX ±0.10<br>X.° ±2° |      |       |       | <b>GYA</b> 东莞市国亚电子有限公司<br>Connectors Dong Guan Guo Ya Connectors co., Ltd. |        |    |       | PART NO.<br>1800H-02-N0HF              |  |  |  |
|      |     |         |             |        | PROJECT<br>   |      |       |       | APPROVAL<br>Yangzhengguo Yangzhengyi Lviansheng 2016/08/26                 |        |    |       | TITLE<br>1.80mm Crimp Style Connectors |  |  |  |
| DATE | REV | ECN NO. | DESCRIPTION | MODIFY | APPROVAL  | UNIT | SCALE | SHEET | REV  | NUMBER |    |       |  |  |  |  |
| 1    | 2   | 3       | 4           | 5      | 6   | 7    | 8     | mm    | 1:1  | 1/1    | A0 | A-022 |  |  |  |  |

RoHS



Recommended P.C.B Layout  
General Tolerance ±0.05



■ Specifications :

- Voltage rating: 350V AC / DC
- Current rating: 3.2A AC / DC
- Withstanding voltage: 1700V AC/minute
- Temperature range: -40° ~+105°
- Insulation resistance: ≥1000MΩ
- Contact resistance: ≤10mΩ
- After environmental testing: ≤20mΩ

- Material(Pin&Solder tab):Brass
- Mates With GYA Housing:1800H-02

1800 W R S-02 X -LP SW XX  
① ② ③ ④ ⑤ ⑥ ⑦ ⑧ ⑨

- ① Series No.
- ② Category: W-WAFER
- ③ Connector Type: R-Right Angle 90°
- ④ Mouting Type.: S-SMT
- ⑤ Row No.-Pin No.: 02-02P
- ⑥ Special No.: Blank-Without Lock
- ⑦ Material: LP -LCP 94V-0
- ⑧ Plating Category:  
SW- 50u"Min Ni 、 100u"Min Matte Tin
- ⑨ Color : Blank-Natural Color

|      |     |         |             |        |   |   |   |   |  |      |       |       |  |        |    |    |                    |  |  |  |
|------|-----|---------|-------------|--------|---|---|---|---|--|------|-------|-------|--|--------|----|----|--------------------|--|--|--|
|      |     |         |             |        | GENERAL TOLERANCE<br>.X ±0.30<br>.XX ±0.20<br>.XXX ±0.10<br>X.° ±2° |   |   |   | <b>GYA</b> 东莞市国亚电子有限公司<br>Connectors Dong Guan Guo Ya Connectors co., Ltd. |      |       |       | PART NO.<br>1800WRS-02-LPSW            |        |    |    |                    |  |  |  |
|      |     |         |             |        | APPROVAL<br>Yangzhengguo  |   |   |   | CHECK<br>Yangzhengyi   |      |       |       | DRAWN<br>Lviliansheng                  |        |    |    | DATE<br>2016/08/26 |  |  |  |
|      |     |         |             |        | PROJECT<br>   |   |   |   |  |      |       |       | TITLE<br>1.80mm Crimp Style Connectors |        |    |    |                    |  |  |  |
| DATE | REV | ECN NO. | DESCRIPTION | MODIFY | APPROVAL  |   |   |   |  | UNIT | SCALE | SHEET | REV                                    | NUMBER |    |    |                    |  |  |  |
| 1    | 2   | 3       | 4           | 5      | 6   | 7 | 8 | 9 | 10   | 11   | 12    | 13    | 14                                     | 15     | 16 | 17 | 18                 |  |  |  |